



Screwdriving technology

Automation

Air motors

Air tools

DEPRAG

BASIC LINE

Air Motors from 200 W to 1.2 kW

The great value air motor with robust cast iron housing for use in normal production environments.

Low maintenance:

Our patented vane exchange system allows replacement of vanes without disassembly of the motor. All you need is a screwdriver and tweezers, it can also be performed by non specialised personnel. This motor is much more maintenance friendly than any other of its kind.

The BASIC LINE air motor with its modular design has a particularly attractive price-performance ratio, as well as all the advantages of a modern compact air motor. It has a high performance density and small space requirements, it is robust and is also ATEX approved for use in potentially explosive environments.

Patented Vane Exchange Feature



The motor remains where it is installed. This feature offers tremendous time savings.

ATEX certified
large speed range

reversible
patented vane exchange system

robust design



BASIC LINE Air Motors



Available in flange and bracket design

Pressure release hole

For which applications are the BASIC LINE air motors suitable?

An air motor with cast iron housing is the right choice for an application with dry surrounding air in normal stationary production. There is a wide spectrum of DEPRAG BASIC LINE vane motors available.


Applications for other applications:

For space saving installation e.g. in an industry robot, there are various grinding, milling and drill motors available which are distinguished by their light weight and compact design. These air motors can be found in our brochure D 6800 E.

When working without lubrication in an environment with aggressive cleaning agents and always when a non-corrosive design is required, we recommend our stainless steel motors. These are found in our brochure D 6400 E.

For special applications, such as e. g. continuous operation (24 hours, non-stop), underwater application and many more, our applications consultants are happy to help.

200 W / 400 W / 600 W / 900 W / 1200 W BASIC LINE Air motors without gear

Air motor without gear reversible						
		200 W Motor size 1	400 W Motor size 3	600 W Motor size 5	900 W Motor size 7	1200 W Motor size 8
Type	Part no.	63-001F01 447001 A	63-001F03 447003 A	63-001F05 447005 A	63-001F07 447007 A	63-001F08 447008 A
Nominal-Power	W / HP	200 / 0.27	400 / 0.54	600 / 0.8	900 / 1.2	1200 / 1.6
Nominal-Speed	rpm	5000	5000	5000	5250	5250
Speed (idling)	rpm	10000	10000	10000	10500	10500
Nominal Torque	Nm / in.lbs	0.38 / 3.4	0.76 / 7.7	1.1 / 9.7	1.6 / 14.2	2.2 / 19.5
Start Torque min.	Nm / in.lbs	0.57 / 5	1.1 / 9.7	1.7 / 15	2.4 / 21.2	3.3 / 29.2
Permissible radial force	max. N / lbs	145 / 32.5	145 / 32.5	145 / 32.5	145 / 32.5	145 / 32.5
Permissible axial force	max. N / lbs	0	0	0	0	0
Air consumption	m ³ /min / cfm	0.3 / 10.5	0.6 / 21	0.9 / 32	2.2 / 77.7	2.6 / 91.8
Weight	kg / lbs	1 / 2.2	1.4 / 3.1	1.6 / 3.5	3.1 / 6.8	3.8 / 8.4
Hose I.D.	mm / in.	10 / ³ / ₈	12 / ¹ / ₂	13 / ¹ / ₂	13 / ¹ / ₂	13 / ¹ / ₂

Performance data relate to an air pressure of 6 bar (85 PSI)

Optional Equipment		Motor size 1	Motor size 3	Motor size 5	Motor size 7	Motor size 8
Bracket	Part no.	440063	440063	440063	440063	440063
necessary 4 cylinder-screws	Part no.	807568	807568	807568	807568	807568
Silencer	Part no.	802675	802671	802671	802666	802666
Maintenance unit with lubricator*	Part no.	820454 A	820455 A	821608 A	821608 A	821608 A
Connection thread		G 1/4	G 1/2	G 3/4	G 3/4	G 3/4
Maintenance unit without lubricator*	Part no.	822408 A	822409 A	826982 A	826982 A	826982 A
Connection thread		G 1/4	G 1/2	G 3/4	G 3/4	G 3/4
Replacement part set consisting of vanes and sealing paper	Part no.	444914 A	444915 A	444916 A	444917 A	444918 A

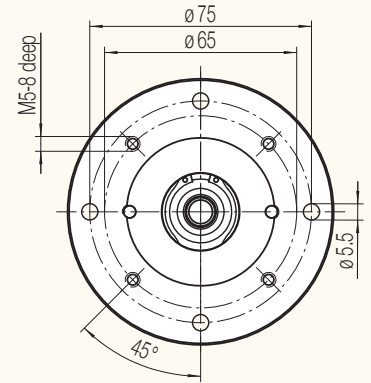
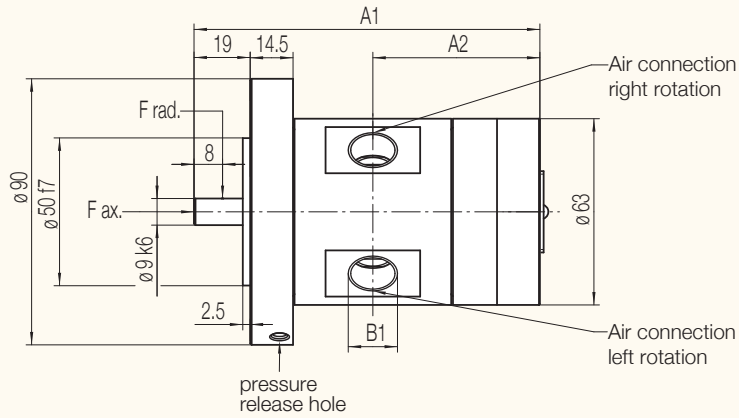
*) Maintenance unit consists of pressure regulator valve, filter and optionally with or without lubricator. Our standard maintenance units are not ATEX conform. Please contact us if this is a requirement.

Remark

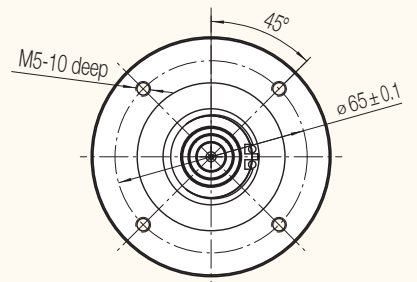
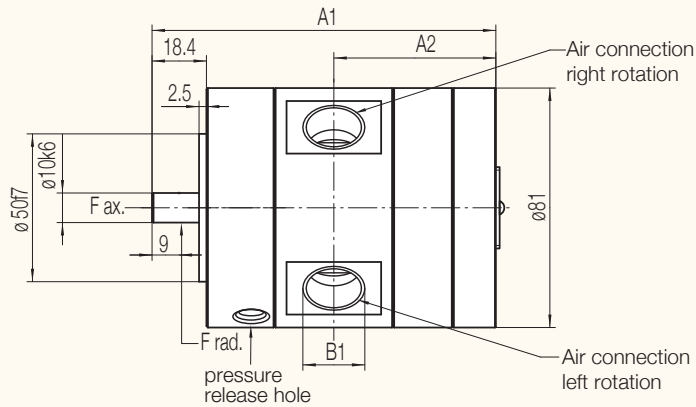
Of course you can also purchase individual replacement parts from us.

Air motor without gear

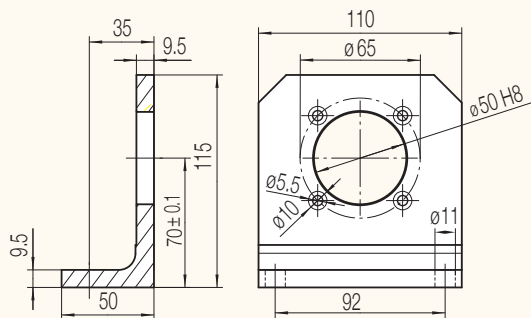
Motor size
1, 3, 5:



Motor size
7, 8:



440063 Bracket



p405379

Motor size	Type	Dimensions of Air motor (mm)		
		A1	A2	B1
1	63-001F01	82	39	1/8
3	63-001F03	102	49	3/8
5	63-001F05	117	56.5	3/8
7	63-001F07	116.3	54.8	1/2
8	63-001F08	136.3	64.3	1/2

200 W / 400 W / 600 W BASIC LINE Air motors with gear

Air motor with gear 200 W reversible

Ex II 2 GD c IIC T4 (130°C)

		Motor size 1							
Type	Part no.	63-004F01	63-007F01	63-018F01	63-029F01	63-046F01	63-078F01	63-124F01	63-308F01
Nominal-Power	W / HP	200 / 0.27	200 / 0.27	200 / 0.27	200 / 0.27	200 / 0.27	200 / 0.27	200 / 0.27	200 / 0.27
Nominal-Speed	rpm	1150	730	270	170	105	60	40	16
Speed (idling)	rpm	2300	1460	540	340	210	120	80	32
Nominal Torque	Nm / in.lbs	1.6 / 14	2.6 / 23	7 / 62	11.2 / 99	18.2 / 161	31.8 / 281	47.8 / 423	80 / 708*)
Start Torque min.	Nm / in.lbs	2.4 / 21	3.9 / 34	10.5 / 93	16.8 / 149	27.3 / 242	47.7 / 422	71.7 / 634	80 / 708*)
Permissible radial force max.	N / lbs	240 / 53.8	240 / 53.8	360 / 80.6	360 / 80.6	360 / 80.6	520 / 116.5	520 / 116.5	520 / 116.5
Permissible axial force max.	N / lbs	50 / 11.2	50 / 11.2	70 / 15.7	70 / 15.7	70 / 15.7	120 / 26.9	120 / 26.9	120 / 26.9
Air consumption	m ³ /min / cfm	0.3 / 10	0.3 / 10	0.3 / 10	0.3 / 10	0.3 / 10	0.3 / 10	0.3 / 10	0.3 / 10
Weight	kg / lbs	2.4 / 5.3	2.4 / 5.3	2.8 / 6.2	2.8 / 6.2	2.8 / 6.2	3.2 / 7	3.2 / 7	3.2 / 7
Hose I.D.	mm / in.	10 / 3/8	10 / 3/8	10 / 3/8	10 / 3/8	10 / 3/8	10 / 3/8	10 / 3/8	10 / 3/8

Performance data relate to an air pressure of 6 bar (85 PSI)

*) max. admissible torque

Air motor with gear 400 W reversible

Ex II 2 GD c IIC T4 (130°C)

		Motor size 3							
Type	Part no.	63-004F03	63-007F03	63-018F03	63-029F03	63-046F03	63-078F03	63-124F03	
Nominal-Power	W / HP	400 / 0.54	400 / 0.54	400 / 0.54	400 / 0.54	400 / 0.54	400 / 0.54	400 / 0.54	
Nominal-Speed	rpm	1150	730	270	170	105	60	40	
Speed (idling)	rpm	2300	1460	540	340	210	120	80	
Nominal Torque	Nm / in.lbs	3.2 / 28	5.2 / 46	14 / 124	22.4 / 198	36.4 / 322	63.6 / 563	80 / 708*)	
Start Torque min.	Nm / in.lbs	4.8 / 42	7.8 / 69	21 / 186	33.6 / 297	54.6 / 483	80 / 708*)	80 / 708*)	
Permissible radial force max.	N / lbs	240 / 53.8	240 / 53.8	360 / 80.6	360 / 80.6	360 / 80.6	520 / 116.5	520 / 116.5	
Permissible axial force max.	N / lbs	50 / 11.2	50 / 11.2	70 / 15.7	70 / 15.7	70 / 15.7	120 / 26.9	120 / 26.9	
Air consumption	m ³ /min / cfm	0.6 / 21	0.6 / 21	0.6 / 21	0.6 / 21	0.6 / 21	0.6 / 21	0.6 / 21	
Weight	kg / lbs	2.8 / 6.2	2.8 / 6.2	3.2 / 7	3.2 / 7	3.2 / 7	3.6 / 7.9	3.6 / 7.9	
Hose I.D.	mm / in.	12 / 1/2	12 / 1/2	12 / 1/2	12 / 1/2	12 / 1/2	12 / 1/2	12 / 1/2	

Performance data relate to an air pressure of 6 bar (85 PSI)

*) max. admissible torque

Air motor with gear 600 W reversible

Ex II 2 GD c IIC T4 (130°C)

		Motor size 5							
Type	Part no.	63-004F05	63-007F05	63-018F05	63-029F05	63-046F05	63-078F05		
Nominal-Power	W / HP	600 / 0.8	600 / 0.8	600 / 0.8	600 / 0.8	600 / 0.8	600 / 0.8		
Nominal-Speed	rpm	1150	730	270	170	105	60		
Speed (idling)	rpm	2300	1460	540	340	210	120		
Nominal Torque	Nm / in.lbs	5 / 44	7.8 / 69	21 / 186	33.6 / 297	54.5 / 482	80 / 708*)		
Start Torque min.	Nm / in.lbs	7.5 / 66	11.7 / 103	31.5 / 279	50.4 / 446	80 / 708*)	80 / 708*)		
Permissible radial force max.	N / lbs	240 / 53.8	240 / 53.8	360 / 80.6	360 / 80.6	360 / 80.6	520 / 116.5		
Permissible axial force max.	N / lbs	50 / 11.2	50 / 11.2	70 / 15.7	70 / 15.7	70 / 15.7	120 / 26.9		
Air consumption	m ³ /min / cfm	0.9 / 32	0.9 / 32	0.9 / 32	0.9 / 32	0.9 / 32	0.9 / 32		
Weight	kg / lbs	3 / 6.6	3 / 6.6	3.4 / 7.5	3.4 / 7.5	3.4 / 7.5	3.8 / 8.4		
Hose I.D.	mm / in.	13 / 1/2	13 / 1/2	13 / 1/2	13 / 1/2	13 / 1/2	13 / 1/2		

Performance data relate to an air pressure of 6 bar (85 PSI)

*) max. admissible torque

Optional Equipment

		Motor size 1	Motor size 3	Motor size 5
Bracket	Part no.	445998	445998	445998
necessary 4 cylinder-screws	Part no.	807568	807568	807568
Flange as per IEC80 B5**	Part no.	446358 B	446358 B	446358 B
Flange as per IEC80 B14**	Part no.	446358 A	446358 A	446358 A
Silencer	Part no.	802675	802671	802671
Maintenance unit with lubricator*	Part no.	820454 A	820455 A	821608 A
Connection thread		G 1/4	G 1/2	G 3/4
Maintenance unit without lubricator*	Part no.	822408 A	822409 A	826982 A
Connection thread		G 1/4	G 1/2	G 3/4
Replacement part set consisting of vanes and sealing paper	Part no.	444914 A	444915 A	444916 A

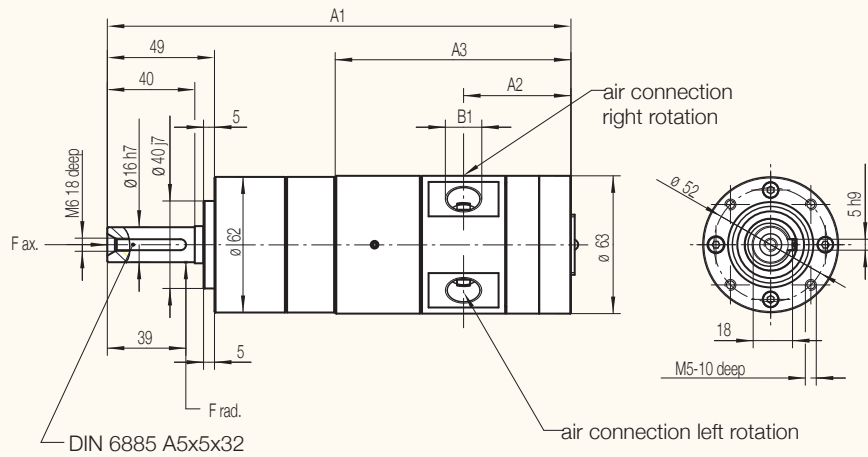
*) Maintenance unit consists of pressure regulator valve, filter and optionally with or without lubricator. Our standard maintenance units are not ATEX conform. Please contact us if this is a requirement.

**) Flange inclusive cylinder-screws and adaptor

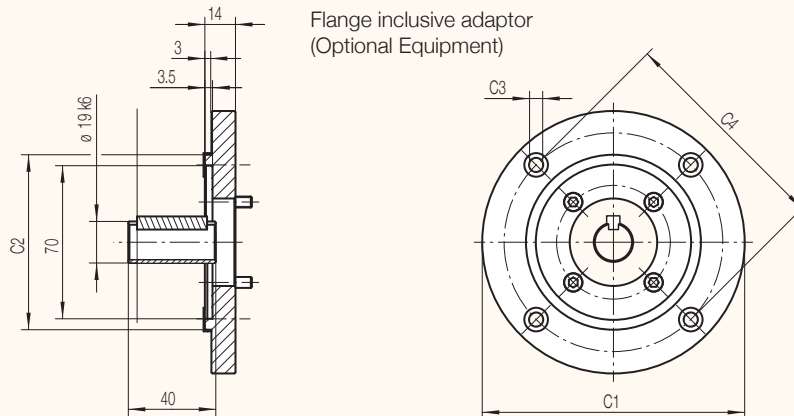
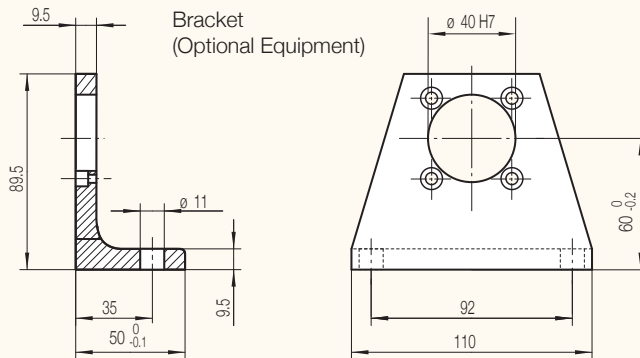
Remark

Of course you can also purchase individual replacement parts from us.

Air motor with gear



DIN 6885 A5x5x32




p405741

Motor size	Type			Dimensions of Air motor (mm)			
				A1	A2	A3	B1
1	63-004F01	63-007F01		192.3			
	63-018F01	63-029F01	63-046F01	208.3	39.1	87.8	G 1/8
	63-078F01	63-124F01	63-308F01	223.8			
3	63-004F03	63-007F03		212.3			
	63-018F03	63-029F03	63-046F03	228.3	49.1	107.8	G 3/8
	63-078F03	63-124F03		243.8			
5	63-004F05	63-007F05		227.3			
	63-018F05	63-029F05	63-046F05	243.3	56.6	122.8	G 3/8
	63-078F05			258.8			


Motor size	Flange Type	Dimensions of flange (mm)			
		C1	C2	C3	C4
1 / 3 / 5	IEC80 B5 (Part no. 446358 B)	200	130f7	11	165
	IEC80 B14 (Part no. 446358 A)	120	80f7	M6	100

900 W / 1200 W BASIC LINE Air motors with gear

Air motor with gear 900 W reversible		 II 2 GD c IIC T4 (130°C)							
		Motor size 7							
Type	Part no.	63-004F07	63-007F07	63-018F07	63-029F07	63-046F07	63-078F07	63-124F07	63-308F07
Nominal-Power	W / HP	900 / 1.2	900 / 1.2	900 / 1.2	900 / 1.2	900 / 1.2	900 / 1.2	900 / 1.2	900 / 1.2
Nominal-Speed	rpm	1225	780	290	180	115	67	45	20
Speed (idling)	rpm	2450	1560	580	360	230	134	90	40
Nominal Torque	Nm / in.lbs	7 / 62	11 / 97.4	30 / 265.5	47 / 416	75 / 663.8	120/1062*)	120/1062*)	120/1062*)
Start Torque min.	Nm / in.lbs	10.5 / 92.9	16.5 / 146	45 / 398.3	71 / 628.4	112 / 991.2	120/1062*)	120/1062*)	120/1062*)
Permissible radial force max.	N / lbs	400 / 89.6	400 / 89.6	600 / 134.4	600 / 134.4	600 / 134.4	1000 / 224	1000 / 224	1000 / 224
Permissible axial force max.	N / lbs	80 / 17.9	80 / 17.9	120 / 26.9	120 / 26.9	120 / 26.9	200 / 44.8	200 / 44.8	200 / 44.8
Luftverbrauch	m ³ /min / cfm	2.2 / 77.7	2.2 / 77.7	2.2 / 77.7	2.2 / 77.7	2.2 / 77.7	2.2 / 77.7	2.2 / 77.7	2.2 / 77.7
Weight	kg / lbs	4.9 / 10.8	4.9 / 10.8	5.6 / 12.3	5.6 / 12.3	5.6 / 12.3	6.3 / 13.9	6.3 / 13.9	6.3 / 13.9
Hose I.D.	mm / in.	13 / 0.5	13 / 0.5	13 / 0.5	13 / 0.5	13 / 0.5	13 / 0.5	13 / 0.5	13 / 0.5

Performance data relate to an air pressure of 6 bar (85 PSI)

*) max. admissible torque

Air motor with gear 1200 W reversible		 II 2 GD c IIC T4 (130°C)								
		Motor size 8								
Type	Part no.	63-004F08	63-007F08	63-018F08	63-029F08	63-046F08				
Nominal-Power	W / HP	1200 / 1.6	1200 / 1.6	1200 / 1.6	1200 / 1.6	1200 / 1.6				
Nominal-Speed	rpm	1225	780	290	180	115				
Speed (idling)	rpm	2450	1560	580	360	230				
Nominal Torque	Nm / in.lbs	9.4 / 83.2	14.7 / 130.1	40 / 354	63 / 557.6	100 / 885				
Start Torque min.	Nm / in.lbs	14 / 123.9	22 / 194.7	60 / 531	94 / 831.9	120/1062*)				
Permissible radial force max.	N / lbs	400 / 89.6	400 / 89.6	600 / 134.4	600 / 134.4	600 / 134.4				
Permissible axial force max.	N / lbs	80 / 17.9	80 / 17.9	120 / 26.9	120 / 26.9	120 / 26.9				
Luftverbrauch	m ³ /min / cfm	2.6 / 91.8	2.6 / 91.8	2.6 / 91.8	2.6 / 91.8	2.6 / 91.8				
Weight	kg / lbs	5.6 / 12.3	5.6 / 12.3	6.3 / 13.9	6.3 / 13.9	6.3 / 13.9				
Hose I.D.	mm / in.	13 / 0.5	13 / 0.5	13 / 0.5	13 / 0.5	13 / 0.5				

Performance data relate to an air pressure of 6 bar (85 PSI)

*) max. admissible torque

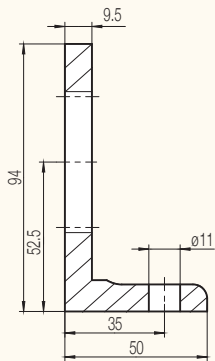
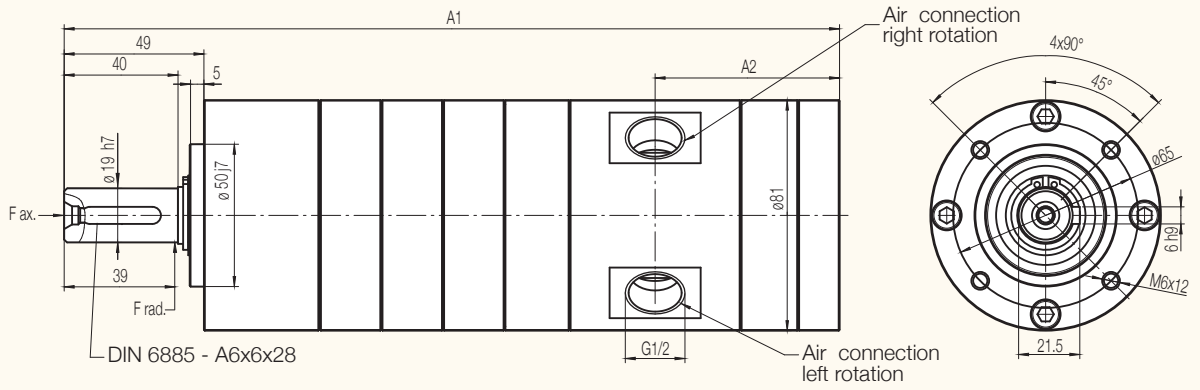
Optionales Equipment	Motor size 7	Motor size 8
Bracket	444191	444191
necessary 4 cylinder-screws	807453	807453
Flange as per IEC80 B5**	446358 E	446358 E
Flange as per IEC80 B14**	446358 D	446358 D
Silencer	802666	802666
Maintenance unit with lubricator*	821608 A	821608 A
Connection thread	G 3/4	G 3/4
Maintenance unit without lubricator*	826982 A	826982 A
Connection thread	G 3/4	G 3/4
Replacement part set consisting of vances and sealing paper	444917 A	444918 A

*) Maintenance unit consists of pressure regulator valve, filter and optionally with or without lubricator. Our standard maintenance units are not ATEX conform. Please contact us if this is a requirement.

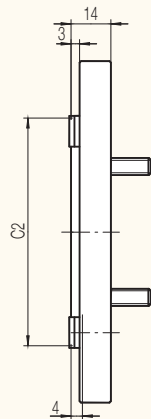
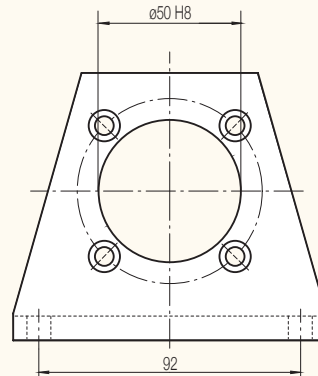
**) Flange inclusive cylinder-screws

Remark Of course you can also purchase individual replacement parts from us.

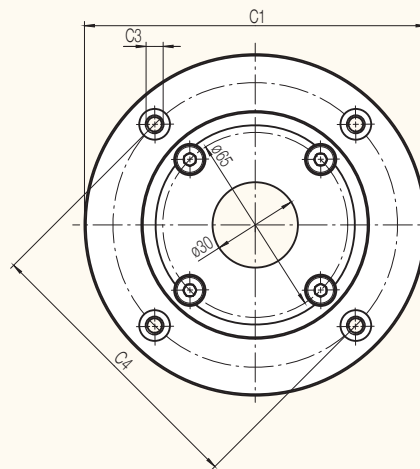
Air motor with gear



Bracket
(Optional
Equipment)



Flange
(Optional
Equipment)



p440238

Motor size	Type			Dimensions of Air motor (mm)	
				A1	A2
7	63-004F07	63-007F07		209.2	54.8
	63-018F07	63-029F07	63-046F07	230.8	
	63-078F07	63-124F07	63-308F07	252.5	
8	63-004F08	63-007F08		229.2	64.8
	63-018F08	63-029F08	63-046F08	250.8	

Motor size	Flange Type	Dimensions of flange (mm)			
		C1	C2	C3	C4
7 / 8	IEC80 B5 (Part no. 446358 E)	200	130f7	11	165
	IEC80 B14 (Part no. 446358 D)	120	80f7	M6	100

DEPRAG

DEPRAG SCHULZ GMBH u. CO.

P.O. Box 1352, D-92203 Amberg, Germany
Carl-Schulz-Platz 1, D-92224 Amberg
Phone (+49) 9621 371-0, Fax (+49) 9621 371-120
www.deprag.com
info@deprag.de



CERTIFIED AS PER DIN EN ISO 9001
