



DEPRAG

NEW GENERATION

Ratchet Wrench, handheld

For Screws of M3 (5-mm hex) to M 18 (27-mm hex)

The new design of the handle is based on the well-known housing form of our MINIMAT-Screwdrivers, with its modified square form, the conductive material, etc. This housing shape allows a better handling and it helps to reduce the drivers' weight and noise level.

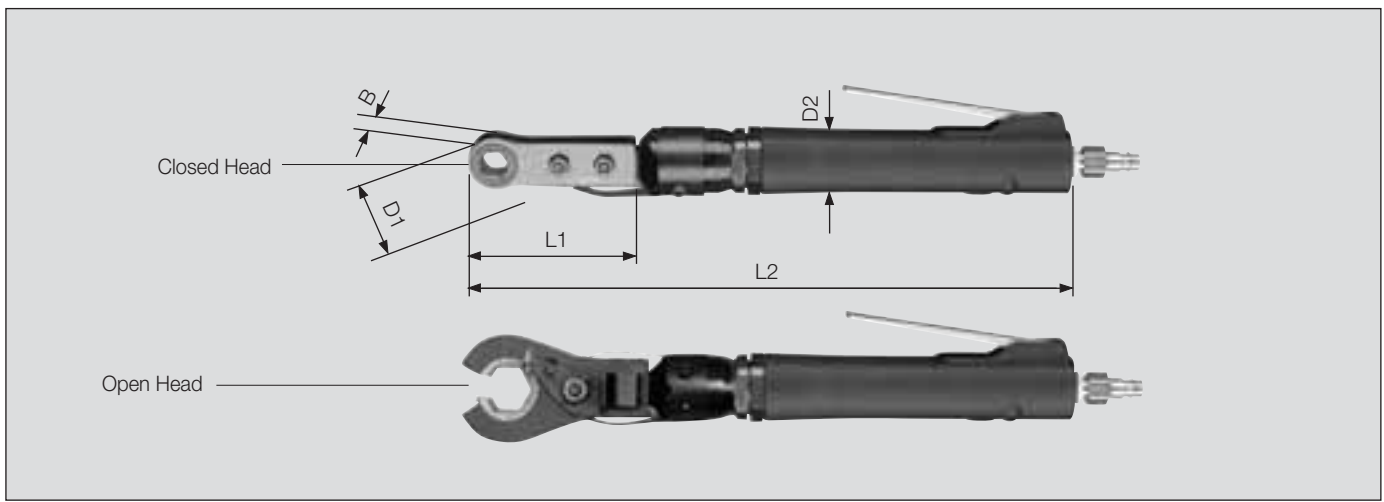
The DEPRAG Ratchet Wrenches are available with interchangeable Socket Inserts (either internal hex or internal square) and are preferably used for applications with a limited access area.

For tube- and pipe assemblies, a ratchet wrench with an open head is available.

The different head-length (L) allows the adaptation of the driver to many different access locations.

As useful accessories, we offer affordable maintenance units, special lubrication oil for air-operated machines, as well as balancers and oil-resistant pressure-hoses (see catalog D 3340 E).





Technical Data

Design Version		Motor Size 2
Right-rotation Lever Start	type order no.	Closed Head 39-521-19 K 391625 A
For Screw Thread Sizes		M 3 - M 6
For Hex Sizes	mm	5 - 10 / 0.195 - 0.400
Speed, unloaded	rpm	90
Torque max. approx.	Nm / in.lbs	8.5 / 75.2
Air consumption	m ³ /min / cfm	0.36 / 12.7
Head Thickness	B mm / in.	9 / 0.35
Head Diameter	D1 mm / in.	19 / 0.74
Grip Diameter	D2 mm / in.	30 / 1.17
Head Length	L1 mm / in.	69 / 2.7
Total Tool Length	L2 mm / in.	319 / 12.5
Noise Level	dB(A)	80
Weight complete	kg / lbs	1.15 / 2.53
Hose ID required	mm / in.	6 / 1/4
Connection Thread		1/8" m

Design Version		Motor Size 3					
Right-rotation Lever Start	type order no.	Closed Head					Open Head
		39-331-19 K 390518 F	39-331-21 K 390518 G	39-331-32 K 390518 A	39-331-32 L 390518 C	39-331-46 K 390518 N	39-331-43 O 390518 D
For Screw Thread Sizes		M 4 - M 6	M 4 - M 7	M 6 - M 12	M 6 - M 12	M 8 - M 18	M 5 - M 10
For Hex Sizes	mm / in.	7-10 / 0.275-0.400	7-11 / 0.275-0.433	10-19/0.400-0.748	10-19/0.400-0.748	13-27/0.511-1.06	8-17/0.315-0.669
Speed, unloaded	rpm	165	160	150	150	110	150
Torque max. approx.	Nm / in.lbs	27 / 239	30 / 266	41 / 363	41 / 363	48 / 425	33 / 292
Air consumption	m ³ /min / cfm	0.4 / 14.1	0.4 / 14.1	0.4 / 14.1	0.4 / 14.1	0.4 / 14.1	0.4 / 14.1
Head Thickness	B mm / in.	13 / 0.5	9 / 0.35	14 / 0.55	14 / 0.55	17 / 0.66	14 / 0.55
Head Diameter	D1 mm / in.	19 / 0.74	21 / 0.82	32 / 1.25	32 / 1.25	46 / 1.8	43 / 1.68
Grip Diameter	D2 mm / in.	40 / 1.56	40 / 1.56	40 / 1.56	40 / 1.56	40 / 1.56	40 / 1.56
Head Length	L1 mm / in.	83 / 3.24	83 / 3.24	95 / 3.7	170 / 6.6	115 / 4.5	95 / 3.7
Total Tool Length	L2 mm / in.	328 / 12.8	328 / 12.8	340 / 13.3	415 / 16.2	358 / 14	337 / 13.14
Noise Level	dB(A)	81	81	81	81	83	83
Weight complete	kg / lbs	1.5 / 3.3	1.5 / 3.3	1.6 / 3.52	1.75 / 3.85	1.7 / 3.74	1.6 / 3.52
Hose ID required	mm / in.	6 / 1/4	6 / 1/4	6 / 1/4	6 / 1/4	6 / 1/4	6 / 1/4
Connection Thread		1/4" m	1/4" m	1/4" m	1/4" m	1/4" m	1/4" m

Technical Data relate to an air pressure of 6.3 bar (90 PSI)

Standard Equipment:

Quick Connect Coupler and Hose Plug

1 Socket Insert with female hex (as per requirement and adapted to fit the Ratchet Wrench); make sure to submit required socket size with tool order (see catalog D 3320 E for Socket Insert options)

Optional Equipment: 1-meter Exhaust Hose, order no. 389653 A (Motor Size 2 only)

DEPRAG SCHULZ GMBH u. CO.
P.O. Box 1352, D-92203 Amberg, Germany
Kurfürstenring 12-18, D-92224 Amberg

Phone (09621) 371-0, Fax (09621) 371-120
Internet: www.deprag.com
e-mail: info@deprag.de

CERTIFIED AS PER DIN EN ISO 9001