

BASIC LINE

Air Motors from 200 W to 1.2 kW

The great value air motor with robust cast iron housing for use in normal production environments.

Low maintenance:

Our QuickVChange vane exchange system allows replacement of vanes without disassembly of the motor. All you need is a screwdriver and tweezers, it can also be performed by non specialised personnel. This motor is much more maintenance friendly than any other of its kind.

The BASIC LINE air motor with its modular design has a particularly attractive price-performance ratio, as well as all the advantages of a modern compact air motor. It has a high performance density and small space requirements, it is robust and is also ATEX approved for use in potentially explosive environments.

All air motors can be operated oil-free, without special measures.

ATEX certified
large speed range

reversible

robust design
QuickVChange vane exchange system

QuickVChange Vane Exchange Feature



The motor remains where it is installed.
This feature offers tremendous time savings.



BASIC LINE Air Motors



For which applications are the BASIC LINE air motors suitable?

An air motor with cast iron housing is the right choice for an application with dry surrounding air in normal stationary production. There is a wide spectrum of DEPRAG BASIC LINE vane motors available.

Applications for other applications:

For space saving installation e.g. in an industry robot, there are various grinding, milling and drill motors available which are distinguished by their light weight and compact design. These air motors can be found in our brochure D 6800 E.

When working without lubrication in an environment with aggressive cleaning agents and always when a non-corrosive design is required, we recommend our stainless steel motors. These are found in our brochure D 6400 E.

For special applications, such as e. g. continuous operation (24 hours, non-stop), underwater application and many more, our applications consultants are happy to help.

200 W / 400 W / 600 W / 900 W / 1200 W BASIC LINE Air motors without gear

Air motor without gear reversible		CE II 2G Ex h IIC T4 Gb X II 2D Ex h IIC T130 °C Db X				
		200 W	400 W	600 W	900 W	1200 W
		Motor size 1	Motor size 3	Motor size 5	Motor size 7	Motor size 8
Type		63X-001F01	63X-001F03	63X-001F05	63X-001F07	63X-001F08
Part no.		208001A	208003A	208005A	208007A	208008A
Nominal power	W / HP	200 / 0.27	400 / 0.54	600 / 0.8	900 / 1.2	1200 / 1.6
Nominal speed	rpm	5000	5000	5000	5250	5250
Speed (idling)	rpm	10000	10000	10000	10500	10500
Nominal torque	Nm / in.lbs	0.38 / 3.4	0.76 / 7.7	1.1 / 9.7	1.6 / 14.2	2.2 / 19.5
Start torque min.	Nm / in.lbs	0.57 / 5	1.1 / 9.7	1.7 / 15	2.4 / 21.2	3.3 / 29.2
Permissible radial force max.	N / lbs	145 / 32.5	145 / 32.5	145 / 32.5	145 / 32.5	145 / 32.5
Permissible axial force max.	N / lbs	0	0	0	0	0
Air consumption	m ³ /min / cfm	0.3 / 10.5	0.6 / 21	0.9 / 32	2.2 / 77.7	2.6 / 91.8
Weight	kg / lbs	1 / 2.2	1.4 / 3.1	1.6 / 3.5	3.1 / 6.8	3.8 / 8.4
Hose I.D.	mm / in.	10 / ³ / ₈	12 / ¹ / ₂	13 / ¹ / ₂	16 / ⁵ / ₈	16 / ⁵ / ₈

Performance data relate to an air pressure of 6 bar (85 PSI) and lubricated air. With oil-free operation the output will be reduced by 10 - 20%.

Optional Equipment		Motor size 1	Motor size 3	Motor size 5	Motor size 7	Motor size 8
Bracket incl. 4 cylinder-screws	Part no.	440748A	440748A	440748A	440748A	440748A
Silencer set with sinter cone	Part no.	447010C	447011C	447011C	447013C	447013C
Silencer set with plastic filter	Part no.	447010A	447011A	447011A	447013A	447013A
Silencer set with exhaust air filter	Part no.	447010B	447011B	447011B	447013B	447013B
Exhaust air filter	Part no.	447010E	447010E	447010E	447013E	447013E
Plastic filter (***)	Part no.	447010D	447010D	447010D	447013D	447013D
Maintenance unit with lubricator*	Part no.	820454A	820455A	821608A	821608A	821608A
Connection thread		G ¹ / ₄	G ¹ / ₂	G ³ / ₄	G ³ / ₄	G ³ / ₄
Maintenance unit without lubricator*	Part no.	822408A	822409A	826982A	826982A	826982A
Connection thread		G ¹ / ₄	G ¹ / ₂	G ³ / ₄	G ³ / ₄	G ³ / ₄
Replacement part set consisting of vanes and sealing paper	Part no.	444914A	444915A	444916A	444917A	444918A

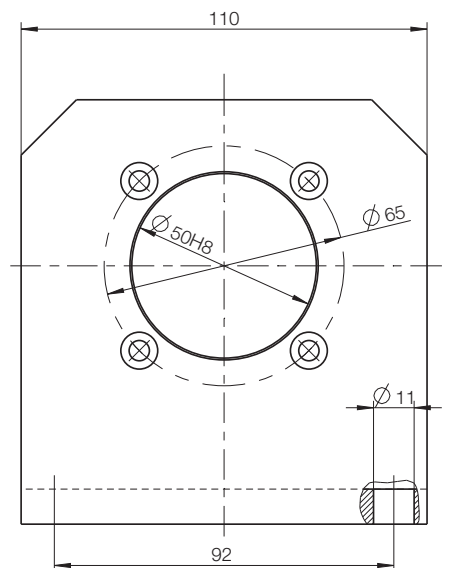
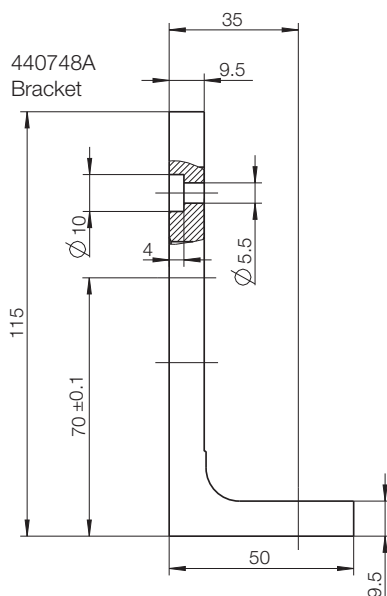
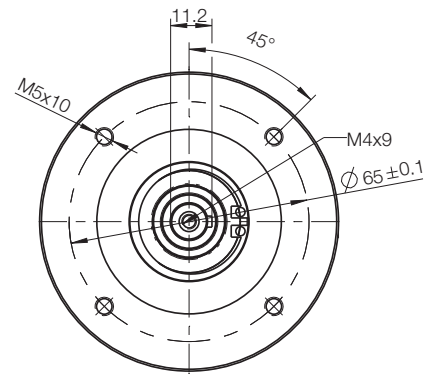
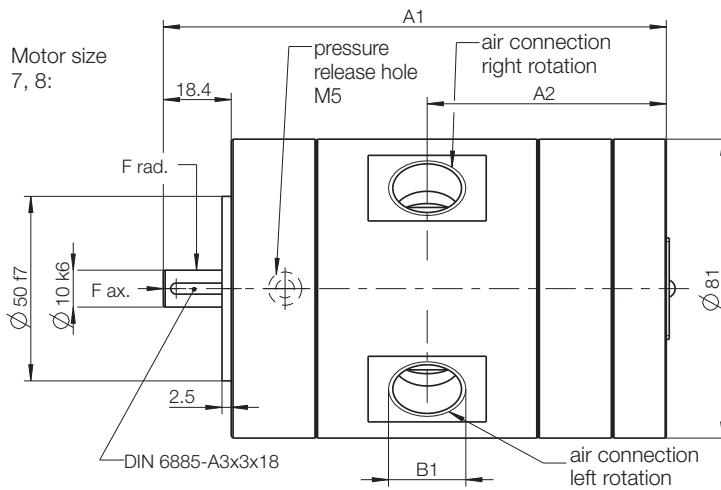
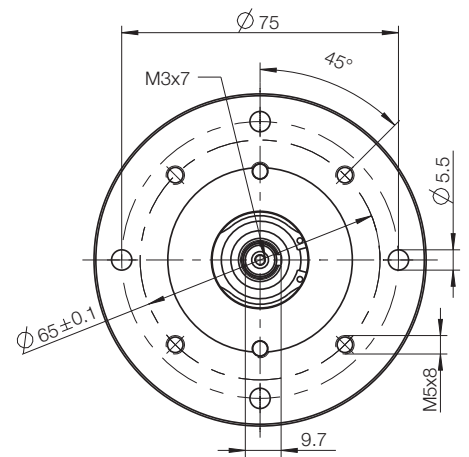
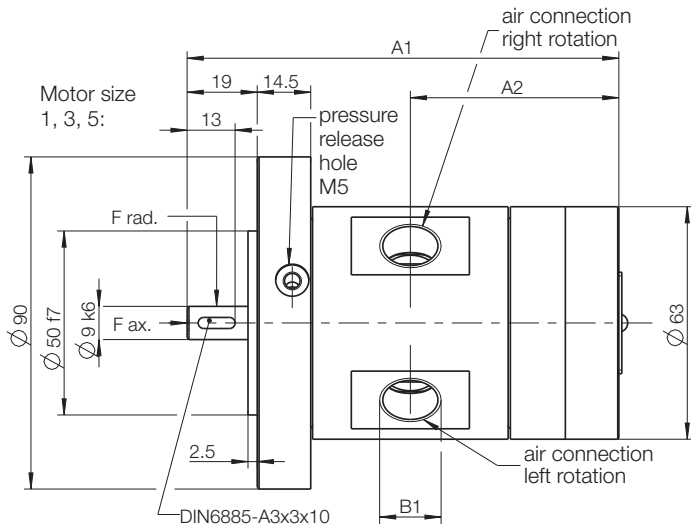
*) Maintenance unit consists of pressure regulator valve, filter and optionally with or without lubricator. Our standard maintenance units are not ATEX conform. Please contact us if this is a requirement.

***) consisting of plastic filter or exhaust filter and silencer for ventilation hole

Remark

Of course you can also purchase individual replacement parts from us.



Further notes for soundproofing see page 8.





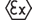

p4053792

Motor size	Type	Dimensions of air motor (mm)		
		A1	A2	B1
1	63X-001F01	82	39	1/8
3	63X-001F03	102	49	3/8
5	63X-001F05	117	56.5	3/8
7	63X-001F07	116.3	54.8	1/2
8	63X-001F08	136.3	64.3	1/2

200 W / 400 W / 600 W BASIC LINE Air motors with gear

Air motor with gear 200 W reversible		CE  II 2G Ex h IIC T4 Gb X  II 2D Ex h IIIC T130 °C Db X							
		Motor size 1							
Type	Part no.	63X-004F01	63X-007F01	63X-018F01	63X-029F01	63X-046F01	63X-078F01	63X-124F01	63X-308F01
Nominal power	W / HP	200 / 0.27	200 / 0.27	200 / 0.27	200 / 0.27	200 / 0.27	200 / 0.27	200 / 0.27	200 / 0.27
Nominal speed	rpm	1150	730	270	170	105	60	40	16
Speed (idling)	rpm	2300	1460	540	340	210	120	80	32
Nominal torque	Nm / in.lbs	1.6 / 14	2.6 / 23	7 / 62	11.2 / 99	18.2 / 161	31.8 / 281	47.8 / 423	80 / 708*)
Start torque min.	Nm / in.lbs	2.4 / 21	3.9 / 34	10.5 / 93	16.8 / 149	27.3 / 242	47.7 / 422	71.7 / 634	80 / 708*)
Permissible radial force max.	N / lbs	240 / 53.8	240 / 53.8	360 / 80.6	360 / 80.6	360 / 80.6	520 / 116.5	520 / 116.5	520 / 116.5
Permissible axial force max.	N / lbs	50 / 11.2	50 / 11.2	70 / 15.7	70 / 15.7	70 / 15.7	120 / 26.9	120 / 26.9	120 / 26.9
Air consumption	m ³ /min / cfm	0.3 / 10	0.3 / 10	0.3 / 10	0.3 / 10	0.3 / 10	0.3 / 10	0.3 / 10	0.3 / 10
Weight	kg / lbs	2.4 / 5.3	2.4 / 5.3	2.8 / 6.2	2.8 / 6.2	2.8 / 6.2	3.2 / 7	3.2 / 7	3.2 / 7
Hose I.D.	mm / in.	10 / 3/8	10 / 3/8	10 / 3/8	10 / 3/8	10 / 3/8	10 / 3/8	10 / 3/8	10 / 3/8

Air motor with gear 400 W reversible		CE  II 2G Ex h IIC T4 Gb X  II 2D Ex h IIIC T130 °C Db X							
		Motor size 3							
Type	Part no.	63X-004F03	63X-007F03	63X-018F03	63X-029F03	63X-046F03	63X-078F03	63X-124F03	
Nominal power	W / HP	400 / 0.54	400 / 0.54	400 / 0.54	400 / 0.54	400 / 0.54	400 / 0.54	400 / 0.54	
Nominal speed	rpm	1150	730	270	170	105	60	40	
Speed (idling)	rpm	2300	1460	540	340	210	120	80	
Nominal torque	Nm / in.lbs	3.2 / 28	5.2 / 46	14 / 124	22.4 / 198	36.4 / 322	63.6 / 563	80 / 708*)	
Start torque min.	Nm / in.lbs	4.8 / 42	7.8 / 69	21 / 186	33.6 / 297	54.6 / 483	80 / 708*)	80 / 708*)	
Permissible radial force max.	N / lbs	240 / 53.8	240 / 53.8	360 / 80.6	360 / 80.6	360 / 80.6	520 / 116.5	520 / 116.5	
Permissible axial force max.	N / lbs	50 / 11.2	50 / 11.2	70 / 15.7	70 / 15.7	70 / 15.7	120 / 26.9	120 / 26.9	
Air consumption	m ³ /min / cfm	0.6 / 21	0.6 / 21	0.6 / 21	0.6 / 21	0.6 / 21	0.6 / 21	0.6 / 21	
Weight	kg / lbs	2.8 / 6.2	2.8 / 6.2	3.2 / 7	3.2 / 7	3.2 / 7	3.6 / 7.9	3.6 / 7.9	
Hose I.D.	mm / in.	12 / 1/2	12 / 1/2	12 / 1/2	12 / 1/2	12 / 1/2	12 / 1/2	12 / 1/2	

Air motor with gear 600 W reversible		CE  II 2G Ex h IIC T4 Gb X  II 2D Ex h IIIC T130 °C Db X							
		Motor size 5							
Type	Part no.	63X-004F05	63X-007F05	63X-018F05	63X-029F05	63X-046F05	63X-078F05		
Nominal power	W / HP	600 / 0.8	600 / 0.8	600 / 0.8	600 / 0.8	600 / 0.8	600 / 0.8		
Nominal speed	rpm	1150	730	270	170	105	60		
Speed (idling)	rpm	2300	1460	540	340	210	120		
Nominal torque	Nm / in.lbs	5 / 44	7.8 / 69	21 / 186	33.6 / 297	54.5 / 482	80 / 708*)		
Start torque min.	Nm / in.lbs	7.5 / 66	11.7 / 103	31.5 / 279	50.4 / 446	80 / 708*)	80 / 708*)		
Permissible radial force max.	N / lbs	240 / 53.8	240 / 53.8	360 / 80.6	360 / 80.6	360 / 80.6	520 / 116.5		
Permissible axial force max.	N / lbs	50 / 11.2	50 / 11.2	70 / 15.7	70 / 15.7	70 / 15.7	120 / 26.9		
Air consumption	m ³ /min / cfm	0.9 / 32	0.9 / 32	0.9 / 32	0.9 / 32	0.9 / 32	0.9 / 32		
Weight	kg / lbs	3 / 6.6	3 / 6.6	3.4 / 7.5	3.4 / 7.5	3.4 / 7.5	3.8 / 8.4		
Hose I.D.	mm / in.	13 / 1/2	13 / 1/2	13 / 1/2	13 / 1/2	13 / 1/2	13 / 1/2		

Performance data relate to an air pressure of 6 bar (85 PSI) and lubricated air. With oil-free operation the output will be reduced by 10 - 20%.

*) max. admissible torque

Optional Equipment		Motor size 1	Motor size 3	Motor size 5
Bracket incl. 4 cylinder-screws	Part no.	440748B	440748B	440748B
Flange as per IEC80 B5**	Part no.	446358B	446358B	446358B
Flange as per IEC80 B14**	Part no.	446358A	446358A	446358A
Silencer set with sinter cone	Part no.	447010C	447011C	447011C
Silencer set with plastic filter	Part no.	447010A	447011A	447011A
Silencer set with exhaust air filter	Part no.	447010B	447011B	447011B
Exhaust air filter	Part no.	447010E	447010E	447010E
Plastic filter (***)	Part no.	447010D	447010D	447010D
Maintenance unit with lubricator*	Part no.	820454A	820455A	821608A
Connection thread		G 1/4	G 1/2	G 3/4
Maintenance unit without lubricator*	Part no.	822408A	822409A	826982A
Connection thread		G 1/4	G 1/2	G 3/4
Replacement part set consisting of vanes and sealing paper	Part no.	444914A	444915A	444916A

*) Maintenance unit consists of pressure regulator valve, filter and optionally with or without lubricator. Our standard maintenance units are not ATEX conform. Please contact us if this is a requirement.

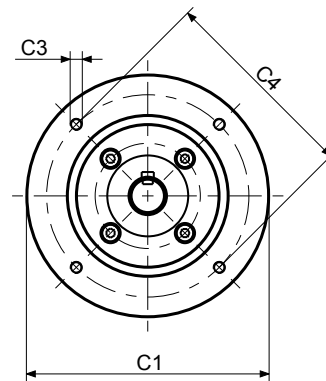
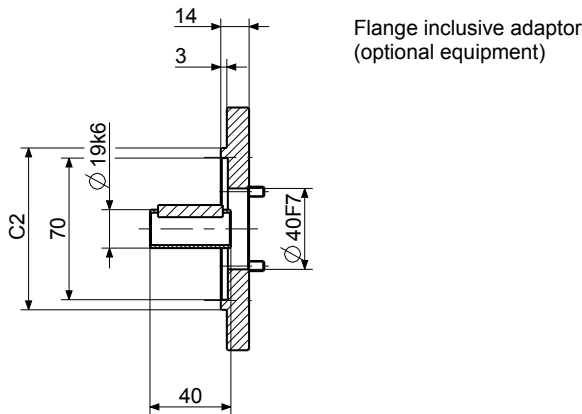
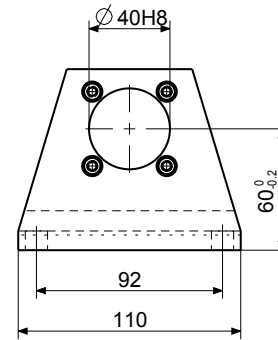
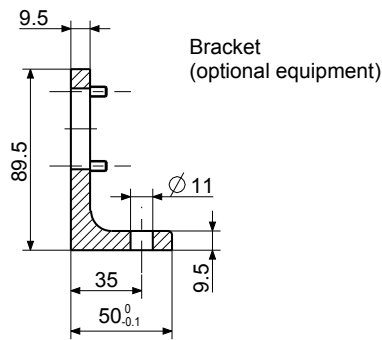
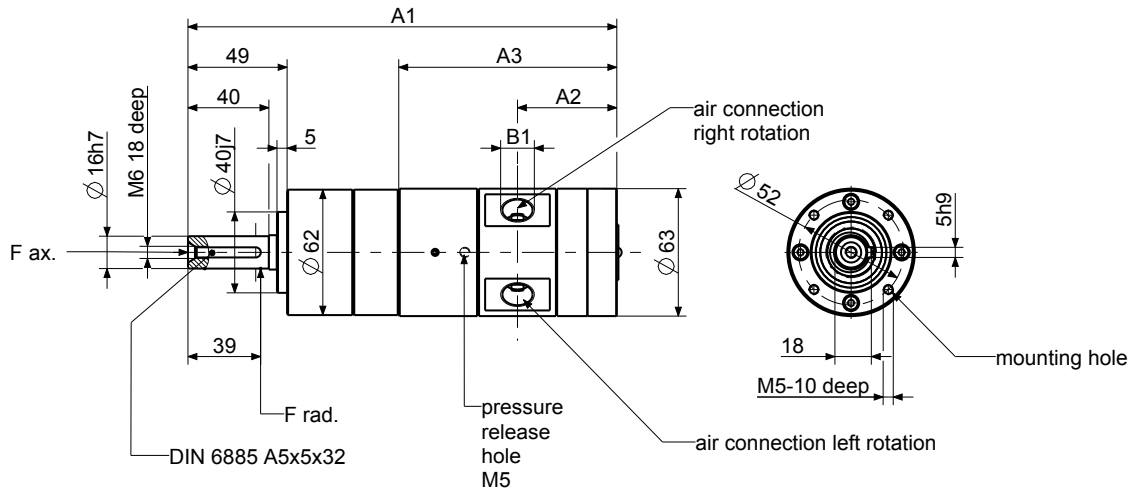
**) Flange inclusive cylinder-screws and adaptor

***) consisting of plastic filter or exhaust filter and silencer for ventilation hole

Remark

Of course you can also purchase individual replacement parts from us.

Further notes for soundproofing see page 8.





p405741

Motor size	Type			Dimensions of air motor (mm)			
				A1	A2	A3	B1
1	63X-004F01	63X-007F01		192.3	39.1	87.8	G 1/8
	63X-018F01	63X-029F01	63X-046F01	208.3			
	63X-078F01	63X-124F01	63X-308F01	223.8			
3	63X-004F03	63X-007F03		212.3	49.1	107.8	G 3/8
	63X-018F03	63X-029F03	63X-046F03	228.3			
	63X-078F03	63X-124F03		243.8			
5	63X-004F05	63X-007F05		227.3	56.6	122.8	G 3/8
	63X-018F05	63X-029F05	63X-046F05	243.3			
	63X-078F05			258.8			

Motor size	Flange Type	Dimensions of flange (mm)			
		C1	C2	C3	C4
1 / 3 / 5	IEC80 B5 (Part no. 446358B)	200	130f7	11	165
	IEC80 B14 (Part no. 446358A)	120	80f7	M6	100

900 W / 1200 W BASIC LINE Air motors with gear

Air motor with gear 900 W reversible

CE  II 2G Ex h IIC T4 Gb X
 II 2D Ex h IIIC T130 °C Db X



Motor size 7

Type	Part no.	63X-004F07	63X-007F07	63X-018F07	63X-029F07	63X-046F07	63X-078F07	63X-124F07	63X-308F07
Nominal power	W / HP	900 / 1.2	900 / 1.2	900 / 1.2	900 / 1.2	900 / 1.2	900 / 1.2	900 / 1.2	900 / 1.2
Nominal speed	rpm	1225	780	290	180	115	67	45	20
Speed (idling)	rpm	2450	1560	580	360	230	134	90	40
Nominal torque	Nm / in.lbs	7 / 62	11 / 97.4	30 / 265.5	47 / 416	75 / 663.8	120/1062*)	120/1062*)	120/1062*)
Start torque min.	Nm / in.lbs	10.5 / 92.9	16.5 / 146	45 / 398.3	71 / 628.4	112 / 991.2	120/1062*)	120/1062*)	120/1062*)
Permissible radial force max.	N / lbs	400 / 89.6	400 / 89.6	600 / 134.4	600 / 134.4	600 / 134.4	1000 / 224	1000 / 224	1000 / 224
Permissible axial force max.	N / lbs	80 / 17.9	80 / 17.9	120 / 26.9	120 / 26.9	120 / 26.9	200 / 44.8	200 / 44.8	200 / 44.8
Air consumption	m ³ /min / cfm	2.2 / 77.7	2.2 / 77.7	2.2 / 77.7	2.2 / 77.7	2.2 / 77.7	2.2 / 77.7	2.2 / 77.7	2.2 / 77.7
Weight	kg / lbs	4.9 / 10.8	4.9 / 10.8	5.6 / 12.3	5.6 / 12.3	5.6 / 12.3	6.3 / 13.9	6.3 / 13.9	6.3 / 13.9
Hose I.D.	mm / in.	16 / ⁵ / ₈	16 / ⁵ / ₈	16 / ⁵ / ₈	16 / ⁵ / ₈	16 / ⁵ / ₈	16 / ⁵ / ₈	16 / ⁵ / ₈	16 / ⁵ / ₈

Performance data relate to an air pressure of 6 bar (85 PSI) and lubricated air. With oil-free operation the output will be reduced by 10 - 20%.

*) max. admissible torque

Air motor with gear 1200 W reversible

CE  II 2G Ex h IIC T4 Gb X
 II 2D Ex h IIIC T130 °C Db X

Motor size 8

Type	Part no.	63X-004F08	63X-007F08	63X-018F08	63X-029F08	63X-046F08			
Nominal power	W / HP	1200 / 1.6	1200 / 1.6	1200 / 1.6	1200 / 1.6	1200 / 1.6			
Nominal speed	rpm	1225	780	290	180	115			
Speed (idling)	rpm	2450	1560	580	360	230			
Nominal torque	Nm / in.lbs	9.4 / 83.2	14.7 / 130.1	40 / 354	63 / 557.6	100 / 885			
Start torque min.	Nm / in.lbs	14 / 123.9	22 / 194.7	60 / 531	94 / 831.9	120/1062*)			
Permissible radial force max.	N / lbs	400 / 89.6	400 / 89.6	600 / 134.4	600 / 134.4	600 / 134.4			
Permissible axial force max.	N / lbs	80 / 17.9	80 / 17.9	120 / 26.9	120 / 26.9	120 / 26.9			
Air consumption	m ³ /min / cfm	2.6 / 91.8	2.6 / 91.8	2.6 / 91.8	2.6 / 91.8	2.6 / 91.8			
Weight	kg / lbs	5.6 / 12.3	5.6 / 12.3	6.3 / 13.9	6.3 / 13.9	6.3 / 13.9			
Hose I.D.	mm / in.	16 / ⁵ / ₈	16 / ⁵ / ₈	16 / ⁵ / ₈	16 / ⁵ / ₈	16 / ⁵ / ₈			

Performance data relate to an air pressure of 6 bar (85 PSI) and lubricated air. With oil-free operation the output will be reduced by 10 - 20%.

*) max. admissible torque

Optional Equipment	Motor size 7	Motor size 8
Bracket incl. 4 cylinder-screws Part no.	440748C	440748C
Flange as per IEC80 B5** Part no.	446358E	446358E
Flange as per IEC80 B14** Part no.	446358D	446358D
Silencer set with sinter cone Part no.	447013C	447013C
Silencer set with plastic filter Part no.	447013A	447013A
Silencer set with exhaust air filter Part no.	447013B	447013B
Exhaust air filter Part no.	447013E	447013E
Plastic filter (***) Part no.	447013D	447013D
Maintenance unit with lubricator* Part no.	821608A	821608A
Connection thread	G ³ / ₄	G ³ / ₄
Maintenance unit without lubricator* Part no.	826982A	826982A
Connection thread	G ³ / ₄	G ³ / ₄
Replacement part set consisting of vanes and sealing paper Part no.	444917A	444918A

* Maintenance unit consists of pressure regulator valve, filter and optionally with or without lubricator.
 Our standard maintenance units are not ATEX conform. Please contact us if this is a requirement.

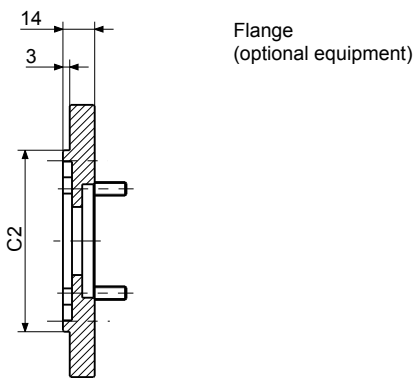
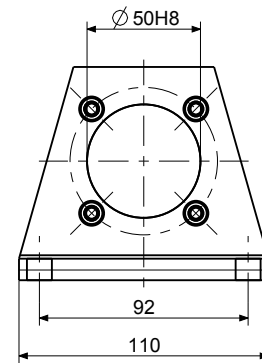
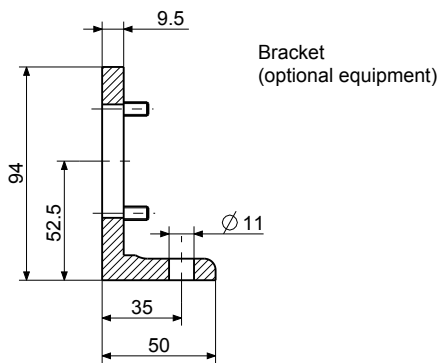
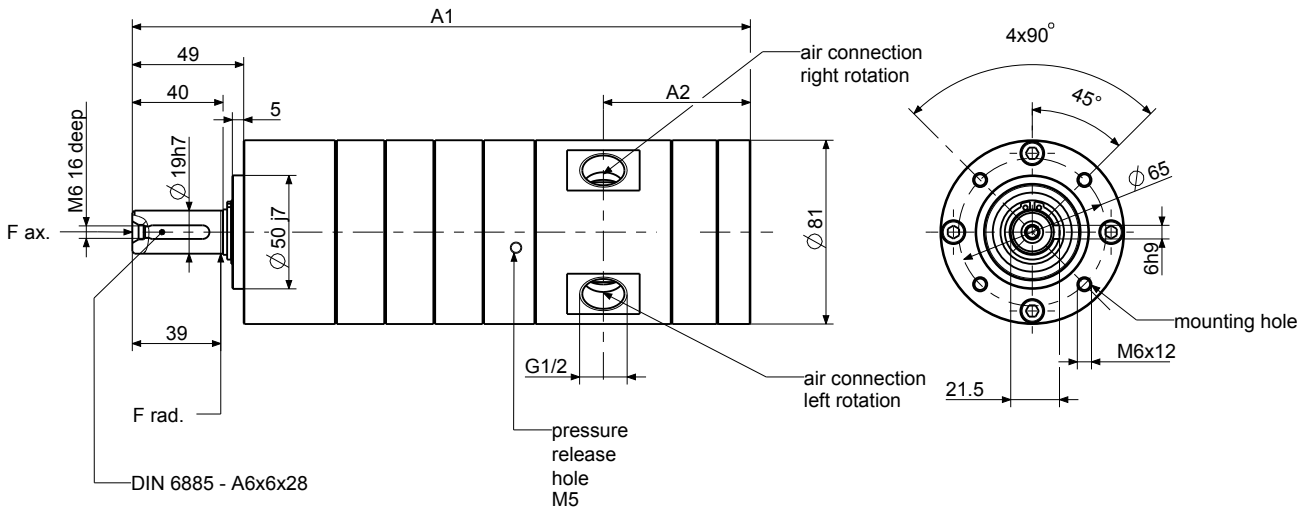
** Flange inclusive cylinder-screws

***) consisting of plastic filter or exhaust filter and silencer for ventilation hole

Remark

Of course you can also purchase individual replacement parts from us.

Further notes for soundproofing see page 8.



p440238

Motor size	Type			Dimensions of air motor (mm)	
				A1	A2
7	63X-004F07	63X-007F07		209.2	54.8
	63X-018F07	63X-029F07	63X-046F07	230.8	
	63X-078F07	63X-124F07	63X-308F07	252.5	
8	63X-004F08	63X-007F08		229.2	64.8
	63X-018F08	63X-029F08	63X-046F08	250.8	

Motor size	Flange Type	Dimensions of flange (mm)			
		C1	C2	C3	C4
7 / 8	IEC80 B5 (Part no. 446358E)	200	130f7	11	165
	IEC80 B14 (Part no. 446358D)	120	80f7	M6	100

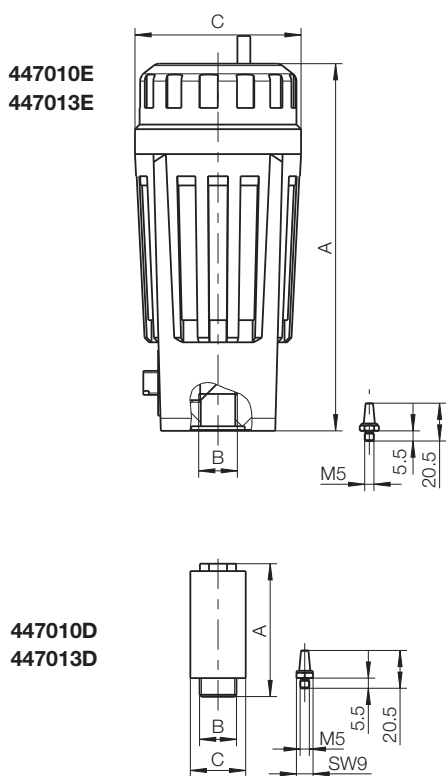
Silencer

Suitable for motor		Direction of rotation*)	Motor size 1	Motor size 3	Motor size 5	Motor size 7	Motor size 8
Without silencer	Noise level dB(A)		109.1	110.3	109.6	117.3	114.6
Silencer set with sinter cone	Part no.	U/R/L	447010C	447011C	447011C	447013C	447013C
	Noise level dB(A)		93.8	108.9	106.9	112.1	108.2
Silencer set with plastic filter	Part no.	R/L	447010A	447011A	447011A	447013A	447013A
	Part no.	U	447010D	447010D	447010D	447013D	447013D
	Noise level dB(A)		72.8	85.2	86.4	93.8	92.8
Silencer set with exhaust filter	Part no.	R/L	447010B	447011B	447011B	447013B	447013B
	Part no.	U	447010E	447010E	447010E	447013E	447013E
	Noise level dB(A)		71	77.2	76.1	94.1	88.3

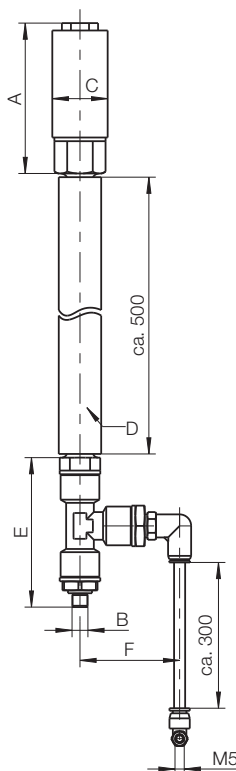
*) U: motor is reversible

R/L: motor operates in one direction (right or left rotation)

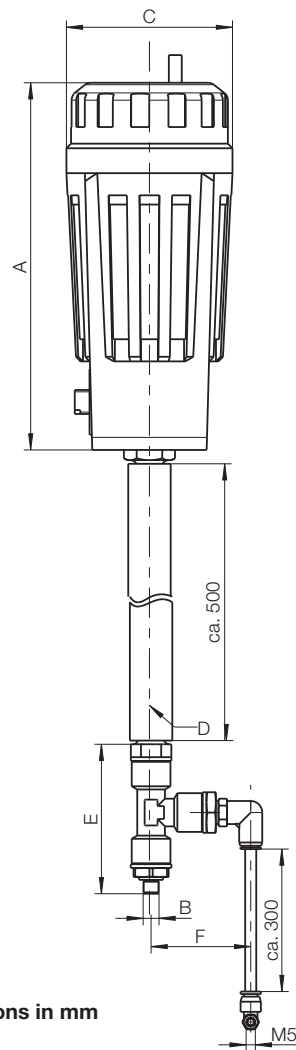
**) consisting of plastic filter or exhaust filter and silencer for ventilation hole



447010A
447011A
447013A



447010B
447011B
447013B



Dimensions in mm
p111592

Silencer	A	B	C	D	E	F
447010D/E	72/199	G1/2	30/90	-	-	-
447013D/E	138/285	G3/4 / G1	38/110	-	-	-
447010A/B	81.5/199	G1/8	30/90	13x4	95.5	54
447011A/B		G3/8			81	
447013A/B	175/285	G1/2	38/110	16x5	106	65.5

DEPRAG

DEPRAG SCHULZ GMBH u. CO.

P.O. Box 1352, D-92203 Amberg, Germany
Carl-Schulz-Platz 1, D-92224 Amberg
Phone (+49) 9621 371-0, Fax (+49) 9621 371-120
www.deprag.com
info@deprag.de

CERTIFIED AS PER DIN EN ISO 9001