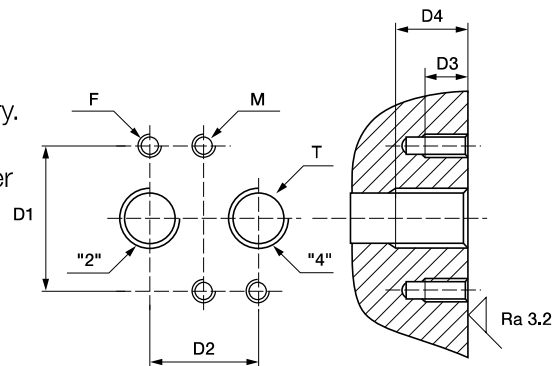


Valves for Pneumatic Actuator Control

NAMUR Interfaces 1/4" & 1/2"

NAMUR + piped versions in safe or dangerous areas.

The interface design conforms to the NAMUR standard and to the VDI/VDE 3845 recommendations of the actuator industry. It allows a compact design of the actuator/valve unit. In case of a 3/2 function, the air of the actuator spring chamber also flows through the pilot valve (re-breather function). This prevents corrosion of the actuator springs.



F: 2 mounting holes - **T:** 2 actuators control port - **M:** 2 holes for dowel pins

F	T	D1 mm	D2 mm	D3 mm	D4 min. mm	M mm
M5	1/4	32	24	8	12	M5
M6	1/2	45	40	10	16	M6

- High flow: 1.250 l/min (1/4"), 3.000 l/min (1/2")
- Compact design
- Long life expectancy
- N3x & P3x Series compatible with any Parker Lucifer coil (ATEX or not) of electrical group 2 (8/9 W coils)
- Fail safe standard
- Reduced inventory (3/2 & 5/2 functions with the same valve on 341Nx5 series)
- Mechanical part of the valve ATEX certified according standard EN 13463-1 & -5

General Information

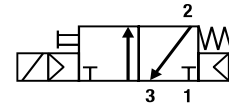
Function:	3/2, 5/2, 3/2 <=> 5/2 and 5/3 valves.
Manual override:	Standard on all versions.
Design:	Nxx & Pxx Series: Solenoid operated spool valve with combined spring and air return & external air pressure operated versions. B0x Series: Solenoid direct acting valve with spring return.
Mounting:	Nxx Series: For direct mounting on NAMUR interface 1/4" & 1/2" Pxx Series: Piped valves G1/4" & G1/2" Bxx Series: Equipped with a banjo bolt G1/8" or G1/4"
Mounting position:	Indifferent.
Material specifications:	Aluminium body. Internal parts of stainless steel. Sealing material from NBR.
Range of admissible pressure drop:	Δp min. = see table. Δp max. = 10 bar.
Media:	Dry or lubricated air.
Fluid temperature:	Min. 0°C Max. + 50°C
Ambient temperature:	-20°C to +50°C
Electrical part:	N0x / P0x / Bxx Series are compatible with 22 mm coil 496131 / 496482 / 496637 size N3x / P3x Series are compatible with 32/37/40 mm coils part of electrical group 2 (8/9W), including 481865 / 495870 / 495905 Series / N3x90 Series are compatible with coils from electrical group 6,7,8 including coil 495900,495910,483580.
Solenoid duty:	100% ED.
Voltage:	481865 coil: 12 VDC , 24 VDC , 48 VDC , 110VDC, 24 V / 50 AC, 48 V / 50 AC, 110 V / 50 AC, 220-230V/50 AC, 115 V / 60 Hz AC, 230 V / 60 AC.
Voltage tolerance:	± 10% of nominal for 481865 coil.
Class of insulation material:	Class F for 481865 coil.
Standards:	Mechanical ATEX conform to EN 13463-1 & -5.

NAMUR Valves G1/4" Series

Solenoid Operated Versions N03-N05 Series with 22 mm Coil

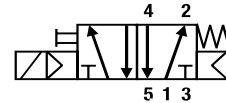
Port size	Orifice	Q _N	Admissible differential pressure (bar)		Max. admissible fluid temperature (°C)		Seat disc	Reference number			Consumption Power (Watt)		Weight (g)	Dimensions Reference
			max.	min.	max.	min. = 0°C		Valve	Housing	Coil	DC	AC		
G	mm	l/min	min	DC=	AC~	Air & Neutral gases								

3/2 Solenoid operated - Combined spring & air return (monostable)



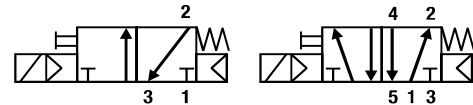
1/4	7	1250	2.5	10	10	50	NBR	331N03	-	496131	3	3	300	1
1/4	7	1250	2.5	10	10	50	NBR	331N03	-	496482	3	3	300	1
1/4	7	1250	2.5	10	10	50	NBR	331N03	-	496637	3	3	300	1

5/2 Solenoid operated - Combined spring & air return (monostable)



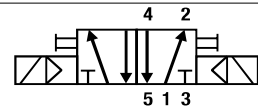
1/4	7	1250	2.5	10	10	50	NBR	341N03	-	496131	3	3	300	2
1/4	7	1250	2.5	10	10	50	NBR	341N03	-	496482	3	3	300	2
1/4	7	1250	2.5	10	10	50	NBR	341N03	-	496637	3	3	300	2

3/2 <=> 5/2 with conversion plate - Solenoid operated Combined spring & air return (monostable)



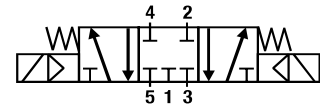
1/4	7	1250	2.5	10	10	50	NBR	341N05	-	496131	3	3	310	3
1/4	7	1250	2.5	10	10	50	NBR	341N05	-	496482	3	3	310	3
1/4	7	1250	2.5	10	10	50	NBR	341N05	-	496637	3	3	310	3
1/4	7	1250	2.5	10	10	50	NBR	341N0502*	-	496131	3	3	310	3
1/4	7	1250	2.5	10	10	50	NBR	341N0502*	-	496482	3	3	310	3
1/4	7	1250	2.5	10	10	50	NBR	341N0502*	-	496637	3	3	310	3

5/2 Solenoid operated and return (bistable)



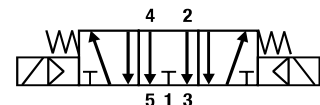
1/4	7	1250	2.5	10	10	50	NBR	347N03	-	496131	3	3	430	4
1/4	7	1250	2.5	10	10	50	NBR	347N03	-	496482	3	3	430	4
1/4	7	1250	2.5	10	10	50	NBR	347N03	-	496637	3	3	430	4

5/3 W1 closed in center position - Solenoid operated and return



1/4	7	1250	2.5	10	10	50	NBR	342N03	-	496131	3	3	430	4
1/4	7	1250	2.5	10	10	50	NBR	342N03	-	496482	3	3	430	4
1/4	7	1250	2.5	10	10	50	NBR	342N03	-	496637	3	3	430	4

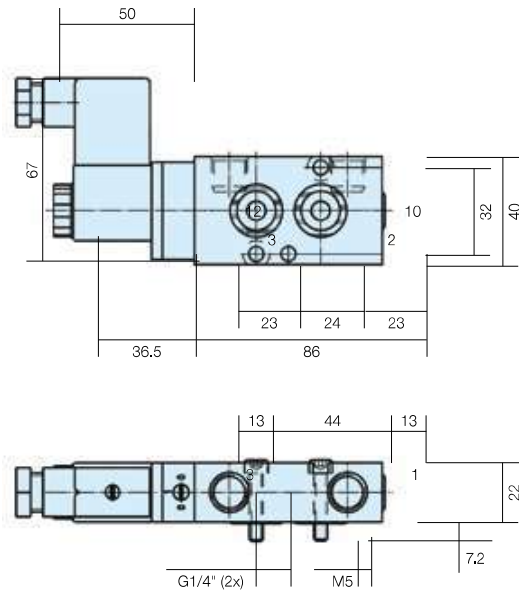
5/3 W3 exhausted in center position Solenoid operated and return



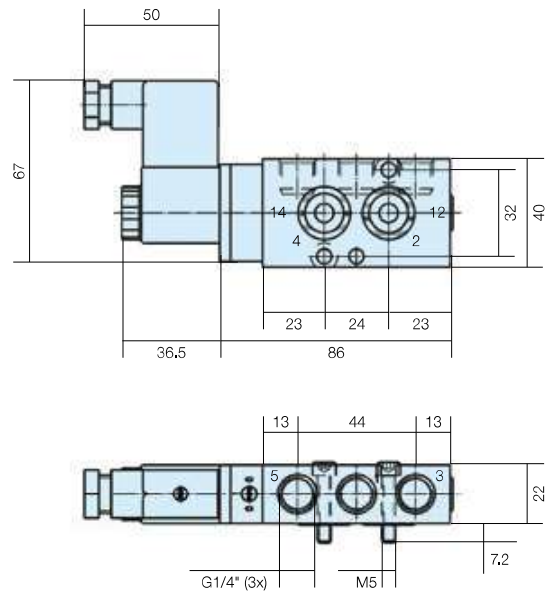
1/4	7	1250	2.5	10	10	50	NBR	343N03	-	496131	3	3	430	4
-----	---	------	-----	----	----	----	-----	---------------	---	---------------	---	---	-----	---

Please consult the "How to Order" part at the end of each coil chapter.

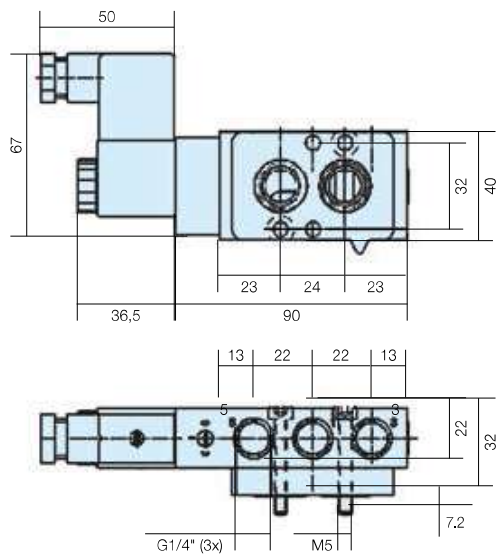
Dimensions Reference 1



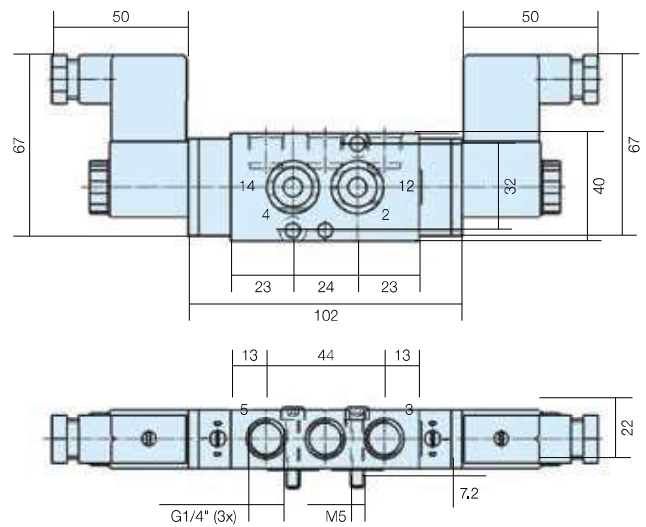
Dimensions Reference 2



Dimensions Reference 3



Dimensions Reference 4



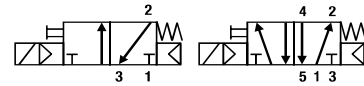
Please consult the "How to Order" part at the end of each coil chapter.

NAMUR Valves G1/4" Series

Solenoid Operated Versions N33-N35 Series with 32 / 37 / 40 mm Coil

Port size	Orifice	Q _v	Admissible differential pressure (bar)		Maximum admissible fluid temperature (°C)	Seat disc	Reference number			Consumption Power (Watt)		Weight (g)	Elect. Group	Dim. Ref.
			min	DC= AC~			Valve	Housing	Coil	DC	AC			
G	mm	l/min	min	DC= AC~	Air & Neutral gases									

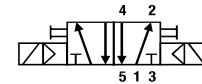
3/2 <=> 5/2 with conversion plate - Solenoid operated Combined spring & air return (monostable)



1/4	7	1250	2.5	10	10	50	NBR	341N35	2995	481865	9	8	480	2	5
1/4	7	1250	2.5	10	10	50	NBR	341N35	2995	495870	9	8	700	2	-
1/4	7	1250	2.5	10	10	50	NBR	341N35	-	495905	8	8	740	2	-
1/4	7	1250	2.5	10	10	50	NBR	341N3502*	2995	481865	9	8	480	2	5
1/4	7	1250	2.5	10	10	50	NBR	341N3502*	2995	495870	9	8	700	2	-
1/4	7	1250	2.5	10	10	50	NBR	341N3502*	-	495905	8	8	740	2	-
1/4	7	1250	2.5	10	10	50	NBR	341N3590*	-	483580	0.5-3	-	560	7	5
1/4	7	1250	2.5	10	10	50	NBR	341N3590*	-	495910	0.3-3	-	920	8	-
1/4	7	1250	2.5	10	10	50	NBR	341N3590*	-	495900	2	2,5	920	6	-

* Valves without manual override

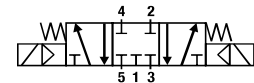
5/2 Solenoid operated and return



1/4	7	1250	2.5	10	10	50	NBR	347N33	2995	481865	9	8	750	2	6
1/4	7	1250	2.5	10	10	50	NBR	347N33	2995	495870	9	8	1190	2	-
1/4	7	1250	2.5	10	10	50	NBR	347N33	-	495905	8	8	1270	2	-
1/4	7	1250	2.5	10	10	50	NBR	347N3390*	-	483580	0.5-3	-	700	7	6
1/4	7	1250	2.5	10	10	50	NBR	347N3390*	-	495910	0.3-3	-	1420	8	-
1/4	7	1250	2.5	10	10	50	NBR	347N3390*	-	495900	2	2,5	1420	6	-

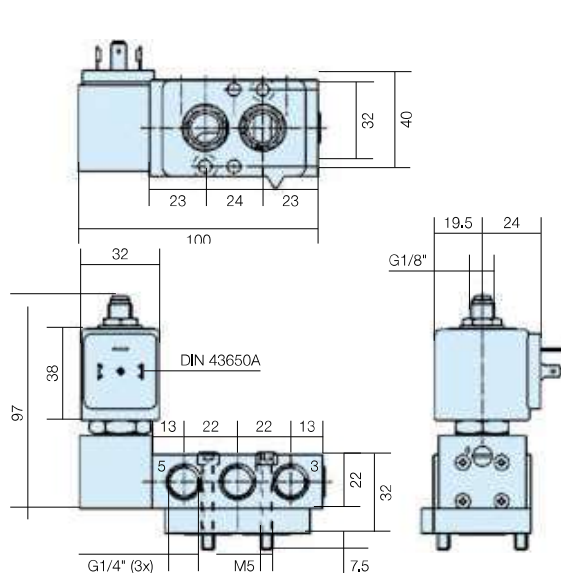
* Valves without manual override

5/3 W1 Closed in center position Solenoid operated and return

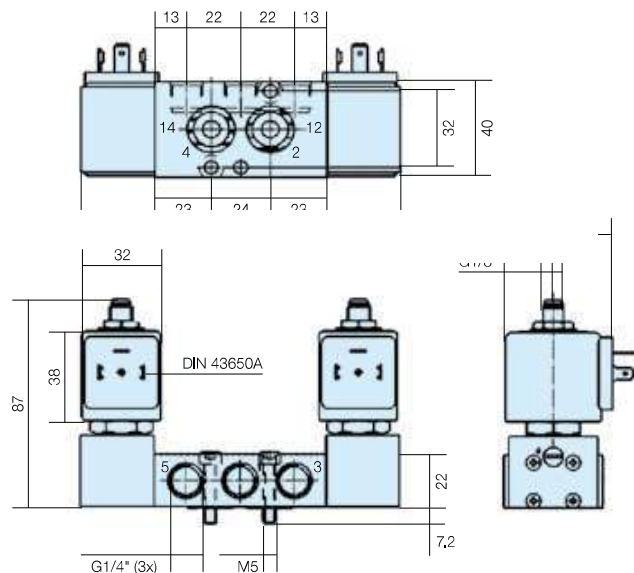


1/4	7	1250	2.5	10	10	50	NBR	342N33	2995	481865	9	8	750	2	6
1/4	7	1250	2.5	10	10	50	NBR	342N33	2995	495870	9	8	1190	2	-
1/4	7	1250	2.5	10	10	50	NBR	342N33	-	495905	8	8	1270	2	-

Dimensions Reference 5



Dimensions Reference 6

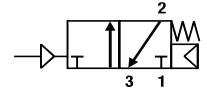


NAMUR Valves G1/4" Series

External Pressure Air Operated Series 5xx N03 Series

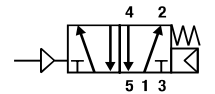
Port size	Orifice	Q _N	Admissible differential pressure (bar)		Maximum admissible fluid temperature (°C)		Seat disc	Reference number			Consumption Power (Watt)		Weight (g)	Elect. Group	Dim. Ref.
			min	DC= AC~	DC=	AC~		Valve	Housing	Coil	DC	AC			
G	mm	l/min				Air & Neutral gases									

**3/2 External pressure air operated
Combined spring & air return (monostable)
External pressure supply 2.5 to 10 bar**



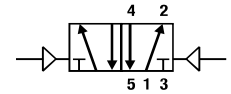
1/4	7	1250	2.5	10	10	50	NBR	531N03	-	w/o	-	-	210	-	7
-----	---	------	-----	----	----	----	-----	--------	---	-----	---	---	-----	---	---

**5/2 External pressure air operated
Combined spring & air return (monostable)
External pressure supply 2.5 to 10 bar**



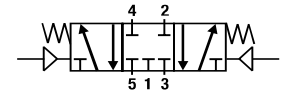
1/4	7	1250	2.5	10	10	50	NBR	541N03	-	w/o	-	-	210	-	8
-----	---	------	-----	----	----	----	-----	--------	---	-----	---	---	-----	---	---

**5/2 External pressure air operated
External pressure air return (bistable)
External pressure supply 2.5 to 10 bar**



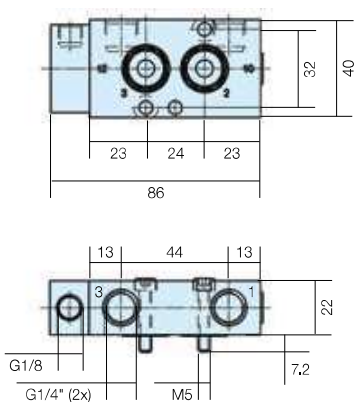
1/4	7	1250	2.5	10	10	50	NBR	547N03	-	w/o	-	-	240	-	9
-----	---	------	-----	----	----	----	-----	--------	---	-----	---	---	-----	---	---

**5/3 W1 closed in center position - External pressure air operated
External pressure air return
External pressure supply 2.5 to 10 bar**

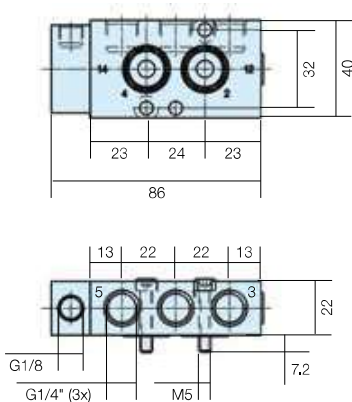


1/4	7	1250	2.5	10	10	50	NBR	542N03	-	w/o	-	-	240	-	9
-----	---	------	-----	----	----	----	-----	--------	---	-----	---	---	-----	---	---

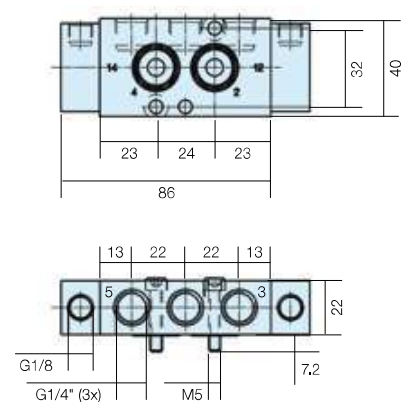
Dimensions Reference 7



Dimensions Reference 8



Dimensions Reference 9

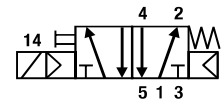


NAMUR Valves G1/2" Series

Solenoid Operated Versions N04 Versions with 22 mm Coil

Port size	Orifice	Q _N	Admissible differential pressure (bar)		Maximum admissible fluid temperature (°C)		Seat disc	Reference number			Consumption Power (Watt)		Weight (g)	Elect. Group	Dim. Ref.
			maximum	maximum	minimum = 0°C	minimum = 0°C		Valve	Housing	Coil	DC	AC			
G	mm	l/min	min	DC=	AC=	Air & Neutral gases									

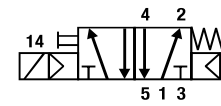
3/2 Solenoid operated Combined spring & air return (monostable)



1/2	12	3000	2.5	10	10	50	NBR	331N04	-	496131	3	3	910	-	10
1/2	12	3000	2.5	10	10	50	NBR	331N04	-	496482	3	3	925	-	10
1/2	12	3000	2.5	10	10	50	NBR	331N04	-	496637	3	3	925	-	10
1/2	12	3000	2.5	10	10	50	NBR	331N0402*	-	496131	3	3	910	-	10
1/2	12	3000	2.5	10	10	50	NBR	331N0402*	-	496482	3	3	925	-	10
1/2	12	3000	2.5	10	10	50	NBR	331N0402*	-	496637	3	3	925	-	10

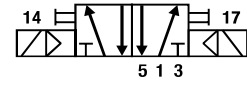
* Valves without manual override

5/2 Solenoid operated Combined spring & air return (monostable)



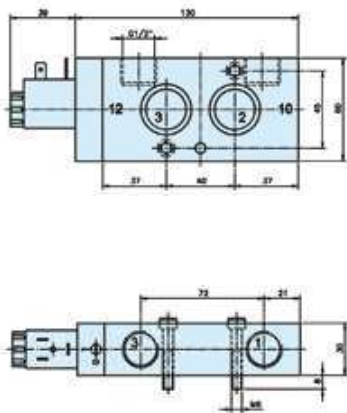
1/2	12	3000	2.5	10	10	50	NBR	341N04	-	496131	3	3	910	-	11
1/2	12	3000	2.5	10	10	50	NBR	341N04	-	496482	3	3	925	-	11
1/2	12	3000	2.5	10	10	50	NBR	341N04	-	496637	3	3	925	-	11

5/2 Solenoid operated and return (bistable)

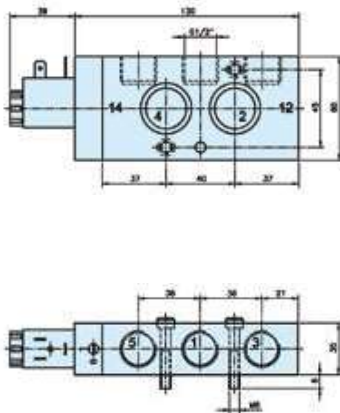


1/2	12	3000	2.5	10	10	50	NBR	347N04	-	496131	3	3	1240	-	12
1/2	12	3000	2.5	10	10	50	NBR	347N04	-	496482	3	3	1255	-	12
1/2	12	3000	2.5	10	10	50	NBR	347N04	-	496637	3	3	1255	-	12

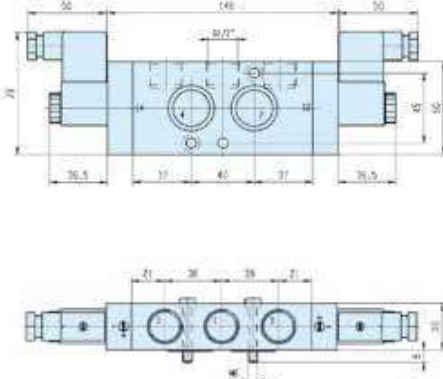
Dimensions Reference 10



Dimensions Reference 11



Dimensions Reference 12



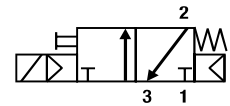
Please consult the "How to Order" part at the end of each coil chapter.

NAMUR Valves G1/2" Series

Solenoid Operated Versions N34 Series with 32 / 37 / 40 mm Coil

Port size	Orifice	Q _n	Admissible differential pressure (bar)			Maximum admissible fluid temperature (°C)		Seat disc	Reference number			Consumption Power (Watt)		Weight (g)	Elect. Group	Dim. Ref.
			min	DC=	AC~	maximum	minimum = 0°C		Air & Neutral gases	Valve	Housing	Coil	DC			

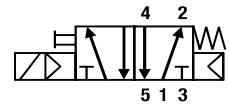
3/2 Solenoid operated Combined spring & air return (monostable)



1/2	12	3000	2.5	10	10	50	NBR	331N34	2995	481865	9	8	810	2	13
1/2	12	3000	2.5	10	10	50	NBR	331N34	2995	495870	9	8	830	2	-
1/2	12	3000	2.5	10	10	50	NBR	331N34	-	495905	8	8	1150	2	-
1/2	12	3000	2.5	10	10	50	NBR	331N3402*	2995	481865	9	8	810	2	13
1/2	12	3000	2.5	10	10	50	NBR	331N3402*	2995	495870	9	8	830	2	-
1/2	12	3000	2.5	10	10	50	NBR	331N3402*	-	495905	8	8	1150	2	-

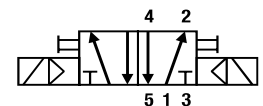
* Valves without manual override

5/2 Solenoid operated Combined spring & air return (monostable)



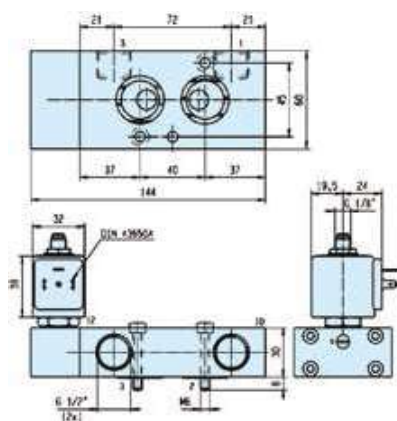
1/2	12	3000	2.5	10	10	50	NBR	341N34	2995	481865	9	8	800	2	14
1/2	12	3000	2.5	10	10	50	NBR	341N34	2995	495870	9	8	820	2	-
1/2	12	3000	2.5	10	10	50	NBR	341N34	-	495905	8	8	1140	2	-

5/2 Solenoid operated and return (bistable)

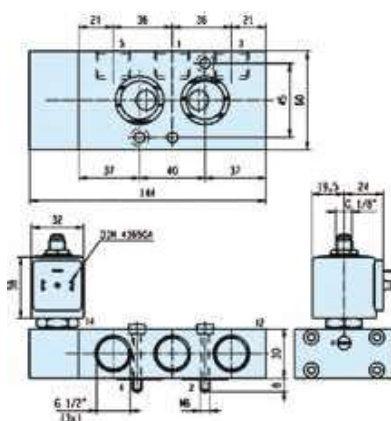


1/2	12	3000	2.5	10	10	50	NBR	347N34	2995	481865	9	8	960	2	15
1/2	12	3000	2.5	10	10	50	NBR	347N34	2995	495870	9	8	1000	2	-
1/2	12	3000	2.5	10	10	50	NBR	347N34	-	495905	8	8	1640	2	-

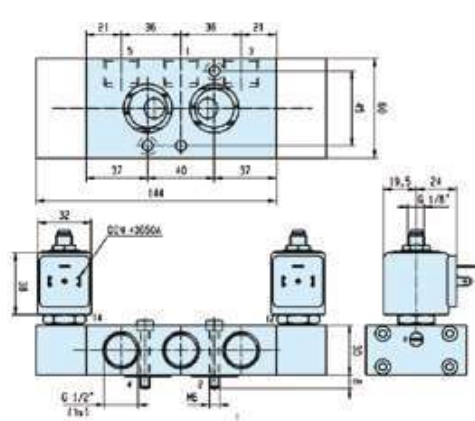
Dimensions Reference 13



Dimensions Reference 14



Dimensions Reference 15



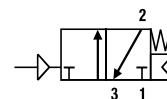
Please consult the "How to Order" part at the end of each coil chapter.

NAMUR Valves G1/2" Series

External Pressure Air Operated Series 5 xx N04 Series

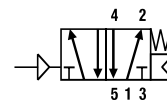
Port size	Orifice	Q _N	Admissible differential pressure (bar)		Maximum admissible fluid temperature (°C)		Seat disc	Reference number			Consumption Power (Watt)		Weight (g)	Elect. Group	Dim. Ref.
			maximum	DC= AC~	minimum = 0°C	maximum		minimum = 0°C	Valve	Housing	Coil	DC			
G	mm	l/min	min	DC= AC~	min	DC= AC~	Air & Neutral gases								

3/2 External pressure air operated Combined spring & air return (monostable) External pressure supply 2.5 to 10 bar



1/2	12	3000	2.5	10	10	50	NBR	531N04	-	w/o	-	-	620	-	16
-----	----	------	-----	----	----	----	-----	--------	---	-----	---	---	-----	---	----

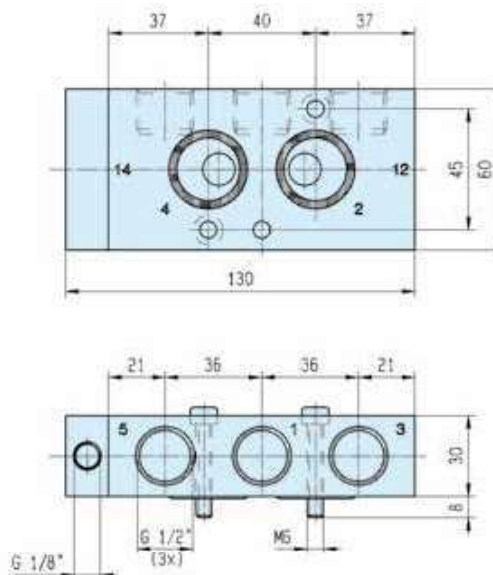
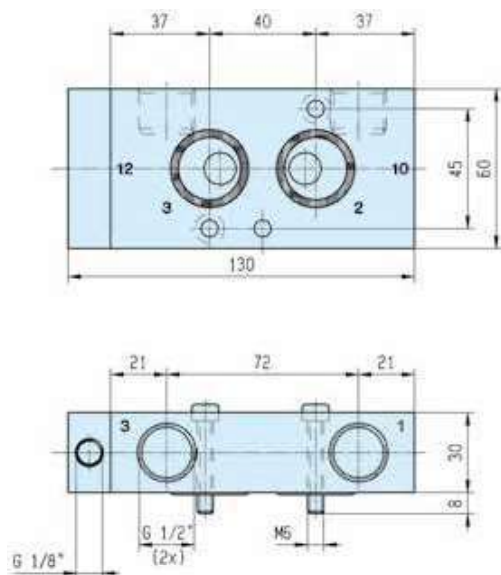
5/2 External pressure air operated Combined spring & air return (monostable) External pressure supply 2.5 to 10 bar



1/2	12	3000	2.5	10	10	50	NBR	541N04	-	w/o	-	-	600	-	17
-----	----	------	-----	----	----	----	-----	--------	---	-----	---	---	-----	---	----

Dimensions Reference 16

Dimensions Reference 17



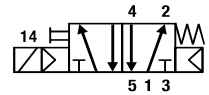
Please consult the "How to Order" part at the end of each coil chapter.

Piped Valves - G1/4" Series

Solenoid Operated Versions P03 Versions with 22 mm Coil

Port size	Orifice	Q _n	Admissible differential pressure (bar)			Maximum admissible fluid temperature (°C)		Seat disc	Reference number			Consumption Power (Watt)		Weight (g)	Elect. Group	Dim. Ref.
			min	DC=	AC~	maximum	minimum = 0°C		Air & Neutral gases	Valve	Housing	Coil	DC			
G	mm	l/min	min	DC=	AC~	Air & Neutral gases		Valve	Housing	Coil	DC	AC				

5/2 Solenoid operated Combined spring & air return (monostable)



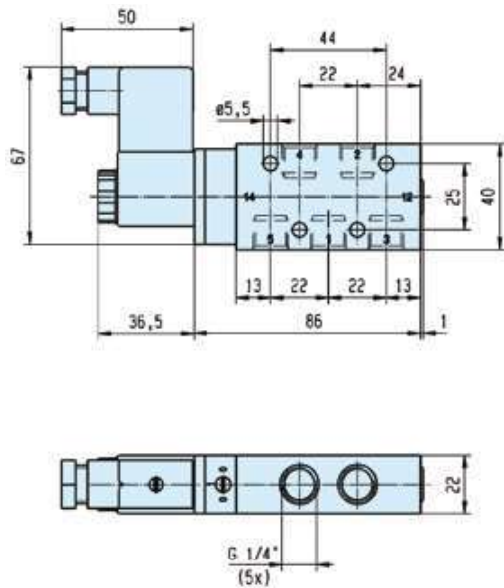
1/4	7	1250	2.5	10	10	50	NBR	341P03	-	496131	3	3	250	-	18
1/4	7	1250	2.5	10	10	50	NBR	341P03	-	496482	3	3	250	-	18
1/4	7	1250	2.5	10	10	50	NBR	341P03	-	496637	3	3	250	-	18

5/2 Solenoid operated and return (bistable)

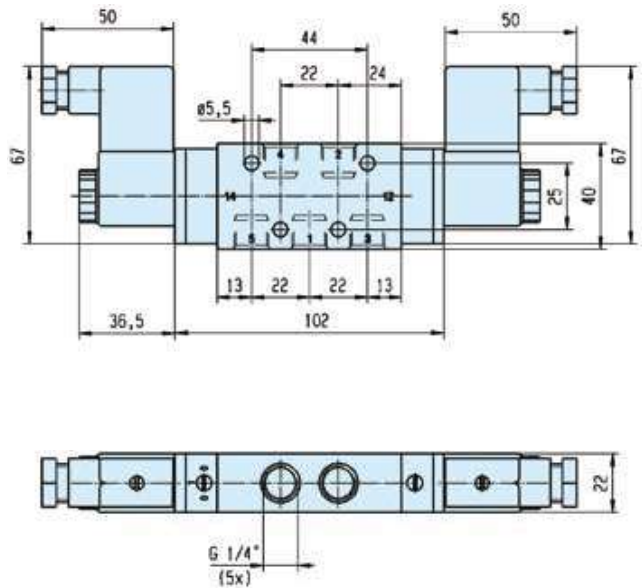


1/4	7	1250	2.5	10	10	50	NBR	347P03	-	496131	3	3	350	-	19
1/4	7	1250	2.5	10	10	50	NBR	347P03	-	496482	3	3	350	-	19
1/4	7	1250	2.5	10	10	50	NBR	347P03	-	496637	3	3	350	-	19

Dimensions Reference 18



Dimensions Reference 19



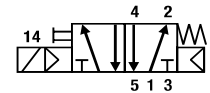
Please consult the "How to Order" part at the end of each coil chapter.

Piped Valves - G1/2" Series

Solenoid Operated Versions P04 Versions with 22 mm Coil

Port size	Orifice	Q _n	Admissible differential pressure (bar)			Maximum admissible fluid temperature (°C)		Seat disc	Reference number			Consumption Power (Watt)		Weight (g)	Elect. Group	Dim. Ref.
			min	DC=	AC~	maximum	minimum = 0°C		Air & Neutral gases	Valve	Housing	Coil	DC			

5/2 Solenoid operated Combined spring & air return (monostable)



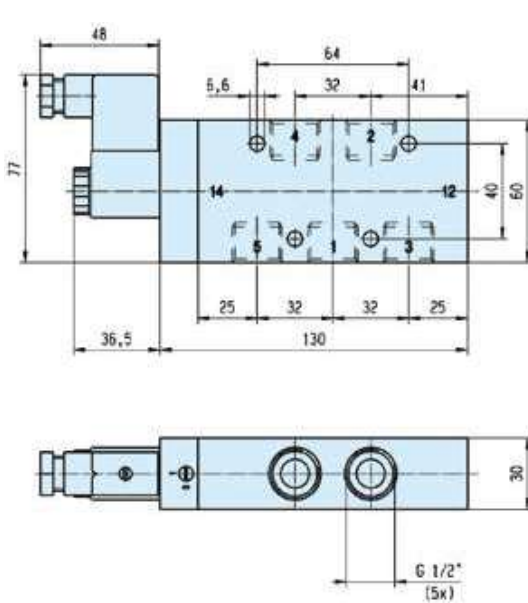
1/2	12	3000	2.5	10	10	50	NBR	341P04	-	496131	3	3	670	-	22
1/2	12	3000	2.5	10	10	50	NBR	341P04	-	496482	3	3	670	-	22
1/2	12	3000	2.5	10	10	50	NBR	341P04	-	496637	3	3	670	-	22

5/2 Solenoid operated and return (bistable)

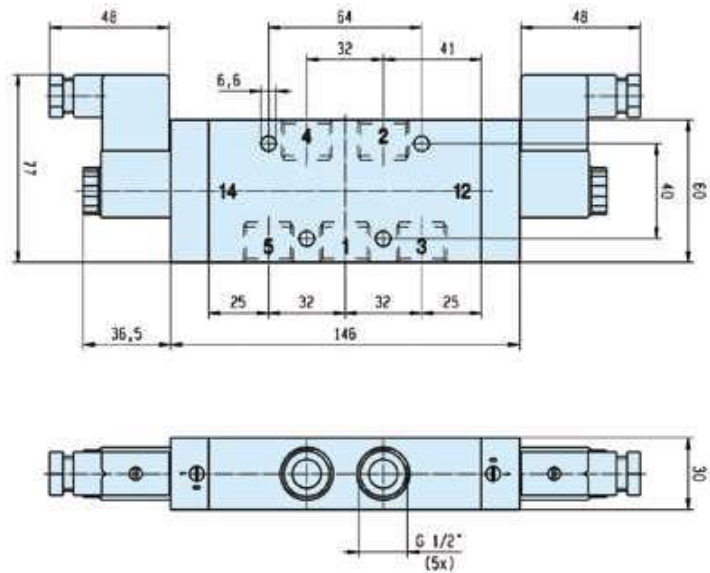


1/2	12	3000	2.5	10	10	50	NBR	347P04	-	496131	3	3	840	-	23
1/2	12	3000	2.5	10	10	50	NBR	347P04	-	496482	3	3	840	-	23
1/2	12	3000	2.5	10	10	50	NBR	347P04	-	496637	3	3	840	-	23

Dimensions Reference 22



Dimensions Reference 23



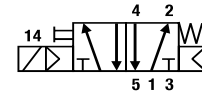
Please consult the "How to Order" part at the end of each coil chapter.

Piped Valves - G1/2" Series

Solenoid Operated Versions P34 Versions with 32/37/40 mm Coil

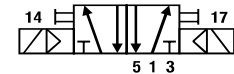
Port size	Orifice	Q _N	Admissible differential pressure (bar)		Maximum admissible fluid temperature (°C)	Seat disc	Reference number			Consumption Power (Watt)		Weight (g)	Elect. Group	Dim. Ref.
			maximum	minimum			Valve	Housing	Coil	DC	AC			
G	mm	l/min	min	DC= AC~	Air & Neutral gases									

5/2 Solenoid operated Combined spring & air return (monostable)



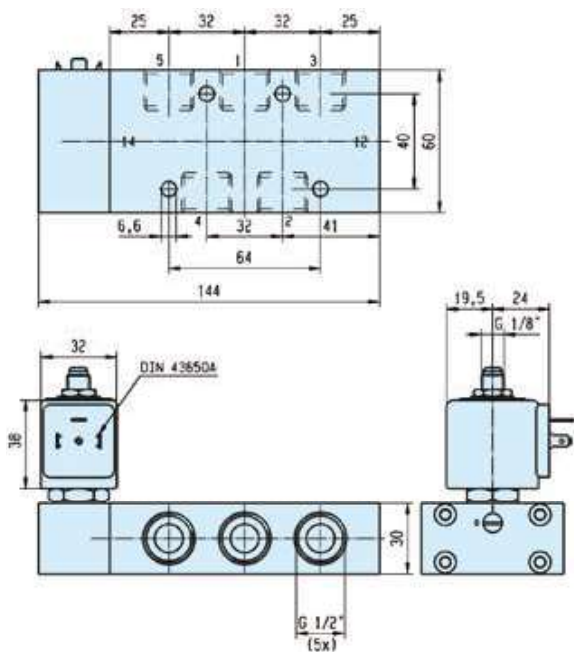
1/2	12	3000	2.5	10	10	50	NBR	341P34	2995	481865	9	8	900	2	24
1/2	12	3000	2.5	10	10	50	NBR	341P34	2995	495870	9	8	920	2	-
1/2	12	3000	2.5	10	10	50	NBR	341P34	-	495905	8	8	1240	2	-

5/2 Solenoid operated and return (bistable)

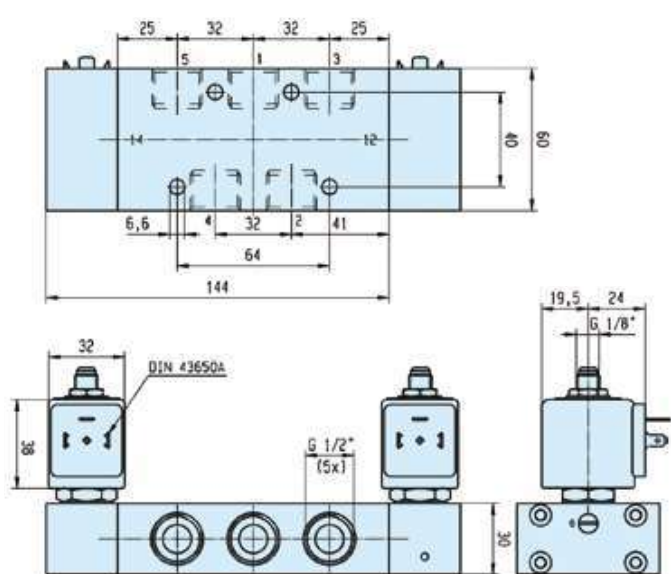


1/2	12	3000	2.5	10	10	50	NBR	347P34	2995	481865	9	8	1240	2	25
1/2	12	3000	2.5	10	10	50	NBR	347P34	2995	495870	9	8	1280	2	-
1/2	12	3000	2.5	10	10	50	NBR	347P34	-	495905	8	8	2080	2	-

Dimensions Reference 24



Dimensions Reference 25



Please consult the "How to Order" part at the end of each coil chapter.


Coils and Spare Parts Informations

Coils 22 mm for N03-N05 Series

Safe Area & ATEX Zone 22

Ref. 496131 / 496482 / 496637

These coils with connection for 2 P+G DIN 43650 B plug are encapsulated in synthetic material, conform to the IEC/CENELEC safety standards and comply with European low voltage directive 73/23/EC .

- Power: 3W
 - Insulation Class: F (155°C)
 - Degree of Protection: IP65 (with plug)
 - Duty Cycle: 100% ED
 - Ambient Temperature: -10°C to 50°C
- 3 different types are available:**
- Ref. 496131 for a safe area without plug
 - Ref. 496482 for a safe area with plug
 - Ref. 496637 for an ATEX area Zone 22 



496637 coil series with connection 2P + G when mounted together with the supplied Pg9 plug (delivered with the coil) are suitable for use in dangerous areas (dust Zone 22) according to the European directive ATEX 94/9/C. Protection mode: Ex tD A22 IP65 - T95°C

Available Voltages	Safe area without DIN plug Order Code	Safe area with DIN plug Order Code	ATEX Zone 22 EX II 3D Order Code
12 VDC	496131 C1	496482 C1	496637 C1
24 VDC	496131 C2	496482 C2	496637 C2
48 VDC	496131 C4	496482 C4	496637 C4
110 VDC	496131 C5	496482 C5	496637 C5
24/50-60 VAC	496131 P0	496482 P0	496637 P0
48/50-60 VAC	496131 S4	496482 S4	496637 S4
110/50-60 VAC	496131 P2	496482 P2	496637 P2
115/60 VAC	496131 K8	496482 K8	496637 K8
230/50-60 VAC	496131 P9	496482 P9	496637 P9

How to Order

The housing kit is already included into the coil reference, so it's not needed to add it with the order code:

Valve Reference Number - Coil Reference - Voltage code = Order code

Example: 341N03 - 496131 C2

Valves and coils may be ordered also separately.

Coils 32 mm / 37 mm / 40 mm for N33-N34-N35 Series

Safe Area

Ref. 481865

These coils can be mounted with every Parker solenoid valves corresponding to the specified Coil Group. See column "Coil Group" within valve pages. This is an encapsulated assembly comprising a coil, integral magnetic iron path and snap-on plug connection.

The synthetic material encapsulation provides an effective compact housing, offering full protection against dust, oil, water, etc. Ease of mounting in confined space - offers shock and corrosion protection - simplifies conversion of existing equipment to other requirements, etc.

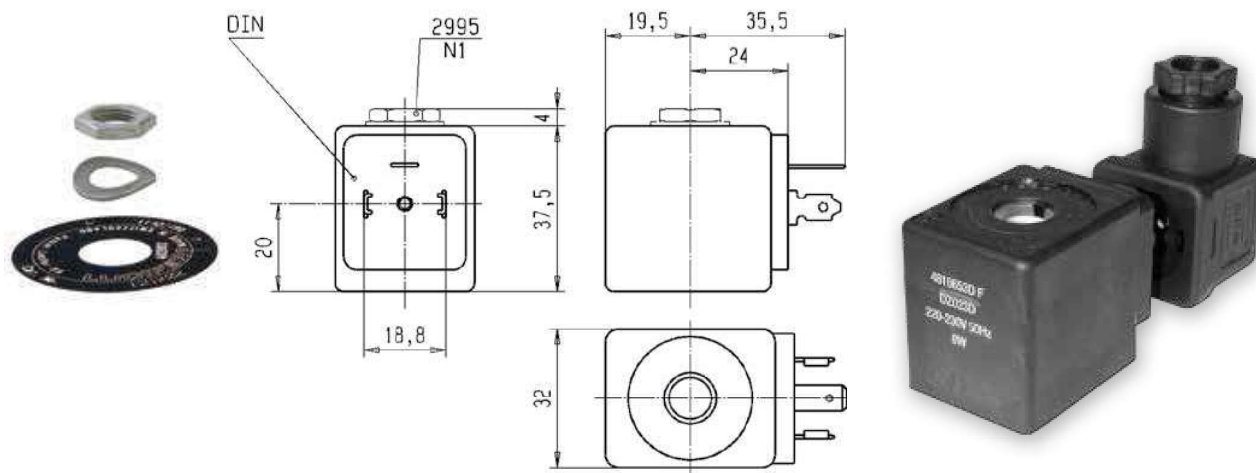
Coils conform to the IEC/CENELEC safety standards and complies with European low-voltage directive.



Specification		Standard		Double frequency			
Ref. (without DIN plug)		481865		483510			
Ref. (with DIN plug)		482725		482635			
Coil Group		2.0 / 2.1					
Degree of protection		IP65 according to IEC / EN 60529 standards (with DIN plug).					
Class of insulation		F 155°C					
Electrical connection		The coil is connected with a 2 P + E plug according to EN 175301-803 type A					
Ambient temperature		-40°C to +50°C - The application is limited also by the temperature range of the valve.					
Elect. Power	DC	Pn (hot)	9 W		-		
		P (cold) 20°C	12 W		-		
	AC	Pn (holding)	8 W		9 W		
		Attraction cold	26 VA (9 W)		32 VA (10 W)		
Weight		130 g (without plug)					
Voltages "Un"		VAC/Hz	Code	VDC	Code	VAC/Hz	Code
-10% to +10% of the Un		24/50	A2	24	C2	24/50, 24/60	P0
		48/50	A4	48	C4	48/50, 48/60	S4
		110/50	A5	110	C5	110-115/50, 120/60	S5
		220-230/50	3D			220-240/50, 240/60	S6

These coils must be used with suitable housings, see example below:

The coil assembly kit **Ref. 2995** corresponds to the "housing" of Lucifer® valve numbering system (Valve - housing - coil - voltage). It is composed of a nameplate giving details of the valve type, a round washer and a nut to ensure the fixing between 32 mm coil and the valve.



How to Order

To Order a Coil choose Coil Ref + Voltage Code

Example: **481865 for 24VDC = 481865C2**

More voltage possibilities can be found in the table of voltage codes at the end of the coil section.

To Order a Valve + Coil Combination:

Example: **341N35-2995-481865C2**

Coils 32 mm / 37 mm / 40 mm for N33-N34-N35 Series

ATEX Zone 2-22

REF. 495870

These coils can be mounted with every Parker ATEX solenoid valves corresponding to the specified Coil Group. See column "Coil Group" within valve pages.

Application: Control of solenoid valves in dangerous areas where explosion-proof protection Ex nc AC IIC T3 to T6 is required.

Ease of mounting in confined space - offers shock and corrosion protection - simplifies conversion of existing equipment to other requirements, etc, Coils conforms to the IEC/CENELEC safety standards and complies with European low-voltage directive.

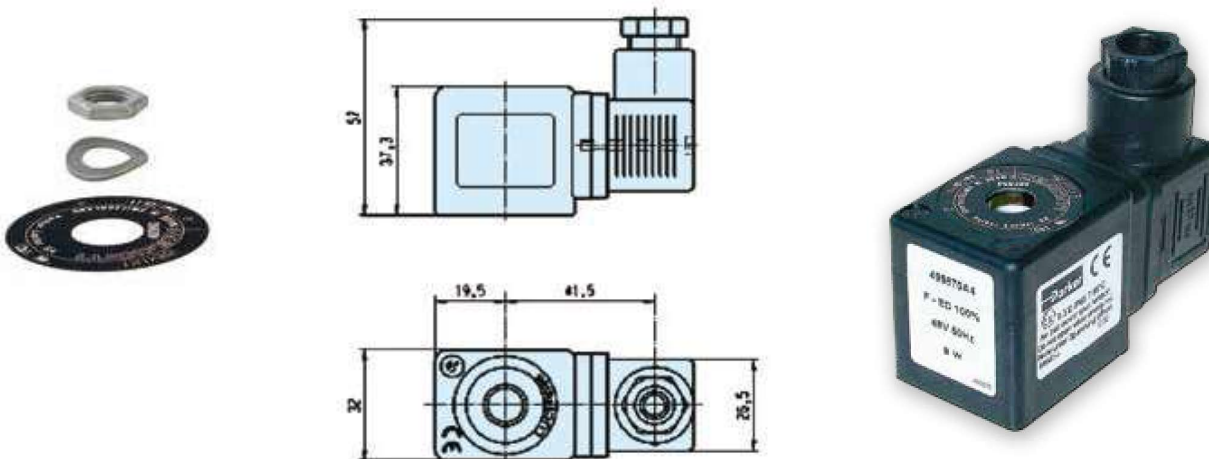
Small size for ease of mounting in confined spaces.



Reference		495870			496110	
Certificate		LCIE 05 ATEX 6003 X				
Coil Group		2.0 / 2.1				
Type of protection	Gas	II 3 G - Ex nc AC IIC T3 / T4			II 3 G - Ex nc AC IIC T3 / T4	
	Dust	II 3 D - Ex tc IIIC - T195°C / T130°C			II 3 D - Ex tc IIIC - T195°C / T130°C	
Degree of protection		IP65 (with plug) according to IEC/EN 60529				
Insulation Class		F (155°C)				
Duty cycle		100%				
Ambiant temperature		-40°C to +50°C The application is limited also by the temperature range of the valve.				
Elect. Power	DC	Pn (hot)	9 W			-
		P (cold) 20°C	12 W			-
	AC	Pn (holding)	8 W			9 W
		Attraction cold	26 VA (9 W)			32 VA (10 W)
Weight		150 g				
Voltages "Un"		VAC/Hz	Code	VDC	Code	VAC/Hz
-10% to +10% of the Un		24/50	A2	24	C2	24/50-60
		48/50	A4	48	C4	48/50-60
		110/50	A5	110	C5	110/50-60
		220-230/50	3D			220/50-60
						Code
						P0
						S4
						S5
						S6

These coils must be used with suitable housings, see example below:

The coil assembly kit **Ref. 2995** corresponds to the "housing" of Lucifer® valve numbering system (Valve - housing - coil - voltage). It is composed of a nameplate giving details of the valve type, a round washer and a nut to ensure the fixing between 32 mm coil and the valve.



How to Order

To Order a Coil choose Coil Ref + Voltage Code

Example: **495870 for 24VDC = 495870C2**

To Order a Valve + Coil Combination:

Example: **341N35-2995-495870C2**

Coils 32 mm / 37 mm / 40 mm for N33-N34-N35 Series

ATEX Zone 1-21

Ref. 495905

These coils can be mounted with every Parker ATEX solenoid valves corresponding to the specified Coil Group.

See column "Coil Group" within valve pages.

Application: Control of solenoid valves in dangerous areas where explosion-proof protection Ex db mb IIC T4 is required.

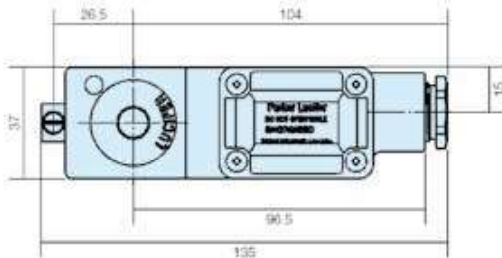
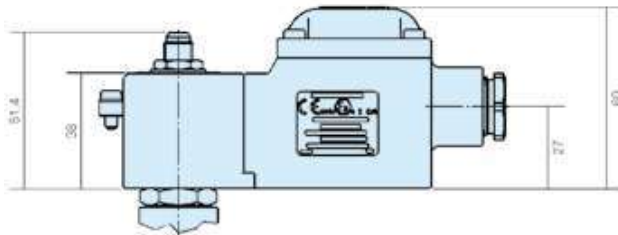
Benefits: Rotatable 360° fibreglass-reinforced plastic housing (class H). Solenoid coil, rectifier (silicium diodes), fuses and varistor protection are completely encapsulated into the coil housing by epoxy resin for shock and corrosion protection.

The plastic housing is delivered with M20 x 1,5 cable gland certified for use "db" protection.

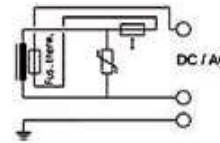
Small size for ease of mounting in confined space.



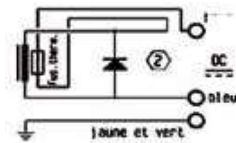
Reference		495905		495905.05	
Certificate		LCIE 03 ATEX 6451 X - IECEx LCI 06.0004 X			
Coil Group		2.0 / 2.1			
Type of protection	Gas	II 2 G - Ex db mb IIC T4			
	Dust	II 2 D - Ex tb IIC - 130°C			
Degree of protection		IP67			
Ambient temperature		-40°C to +65°C The application is limited also by the temperature range of the valve.			
Class of insulation		H (180 °)			
Electrical connection		Electric connection is done in the connection box on an easily accessible connector terminals. The introduction of the cable (Ø min 5 mm, Ømax. 11 mm, section max. 2,5 mm²) in the connection box passes by the built in M20 x 1,5 cable gland.			
Elect. Power	DC	Pn (hot)	8 W		
		P (cold) 20°C	9 W		
	AC	Pn (holding)	8 W		
		Attraction cold	9 W		
Voltages "Un"		VAC/Hz	Code	VDC	Code
-10% to +10% of Un for AC		24/50	A2	24	C2
- 10 % to + 10 % for Un DC.		48/50	A4	48	C4
		115/50	E5	110	C5
		230/50	F4		



495905



*495905.05



How to Order

To Order a Coil choose Coil Ref + Voltage Code

Example: 495905 for 24VDC = 495905C2

To Order a Valve + Coil Combination:

Example: 341N35-495905C2

Spare Parts Mounting Kit and Accessories

Kit for G1/4" Models without conversion plate (N x 3 Series)



Kit includes the 2 mounting screws M5 x 25 A2, the dowel pin M5 x 10 A2, the 2 O-rings NBR 15 x 2.5

Order code: 496132

Kit for G1/4" Models with conversion plate (N x 5 Series)



Kit includes the 2 mounting screws M5 x 35 A2, the dowel pin M5 x 20 A2, the conversion plate equipped with its seals

Order code: 496742 (equipped plate)

Order code: 496852 (screws + pin)

Kit for G1/2" Models (N x 4 Series)



Kit includes the 2 mounting screws M6 x 35 A2, the dowel pin M6 x 12 A2, the 2 O-rings NBR 24 x 3

Order code: 496133

Exhaust Flow Regulators



Material Body:	Brass	Filter element:	Sintered bronze
Spring:	Stainless Steel	Seal:	NBR

G1/8" Order code: 496551

G1/4" Order code: 496552

G1/2" Order code: 496553



Connector for 22 mm Coil

Connector DIN43650 AB Pg9 2P+E
Order code: 481043



Housing for 22 mm Coil

Plastic nut with O-ring
Order code: 3125



Connector for 32 mm Coil

Connector DIN43650 AA Pg9 2P+E
Order code: 486586

