

## POWER LINE

high performance air motors from 1.6 to 18 kW

The high starting torque on this machine, its unrivalled light weight, as well as its robust and reliable design are clear advantages in comparison with any electric drive. The product line of versatile high performance foot and flange motors is in a class of its own.

**ATEX conform**  
**long life-span**

**low weight**  
**reliable**

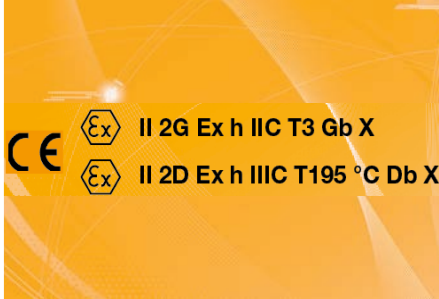
**robust**  
**high starting torque**



## OVERVIEW PRODUCT SPECTRUM POWER LINE MOTORS

The DEPRAG product spectrum consists of a variety of gear motors. If you cannot find a suitable motor for your application please contact us. As well as our catalogue range we offer low-cost customised system solutions.

### POWER LINE motors ATEX conform



POWER LINE motors – the smallest design size with the highest torque capacity.

If you require different speed rates, then we combine these motors with planetary-, worm-, or spur-gears that are ATEX compliant.

**Your advantages:**

- compact size
- high degree of efficiency

**Performance class:**

1.6 kW	Page 4
3.2 kW	Page 14
5.0 kW/6.0 kW	Page 24

**Accessories:**

replacement parts kit	Page 38
silencer	Page 40
maintenance unit	Page 41

### POWER LINE motors with planetary gears



POWER LINE motors - high torque in a small package.

Without gears or optionally with precision planetary gears.

**Your advantages:**

- compact size
- high degree of efficiency
- choice of mounting position
- translation 5-50

**Performance class:**

1.6 kW	Page 6
3.2 kW	Page 16

**Accessories:**

replacement parts kit	Page 38
silencer	Page 40
holding brake	Page 38
maintenance unit	Page 41

### POWER LINE motors with worm gears



POWER LINE motors with worm gears are used when self-locking gears are required.

**Your advantages:**

- low-cost
- compact design
- high translation possible at a level of 14 - 80
- self-locking

**Performance class:**

1.6 kW	Page 8/10
3.2 kW	Page 18/20
5.0 kW	Page 26/28

**Technical Information:**

mounting position	Page 36
spindle designs	Page 39
flange designs	Page 39

**Accessories:**

maintenance unit	Page 41
------------------	---------

### POWER LINE motors with spur gears



POWER LINE motors with spur gear offer user-defined translation options.

**Your advantages:**

- low cost
- translation: optional ( $i = 7 - 238$ )

**Performance class:**

1.6 kW	Page 12
3.2 kW	Page 22
5.0 kW	Page 30

**Technical Information:**

mounting position	Page 37
-------------------	---------

**Accessories:**

maintenance unit	Page 41
------------------	---------

POWER LINE High performance motors with integrated planetary gears provide highest torque.

- They are available in
- flange design (FM)
  - foot design (KM)

**Reversal via external valve**

**Performance class:**  
 9 kW Page 32  
 18 kW Page 32

**Reversal via lever**

**Performance class:**  
 1.9 kW Page 34  
 3.3 kW Page 34  
 4.6 kW Page 34

**POWER LINE**  
 High performance motors



**THE DESIGN OF YOUR AIR MOTOR:**

**Calculating the motor performance:**

$$P = \frac{M \times n}{9550}$$

**P = Power output in kW**  
**M = Nominal torque in Nm**  
**n = Nominal speed in rpm**

**Power [HP] = P [kW] x 1.34**  
**Torque [in.lbs] = M [Nm] x 8.85**

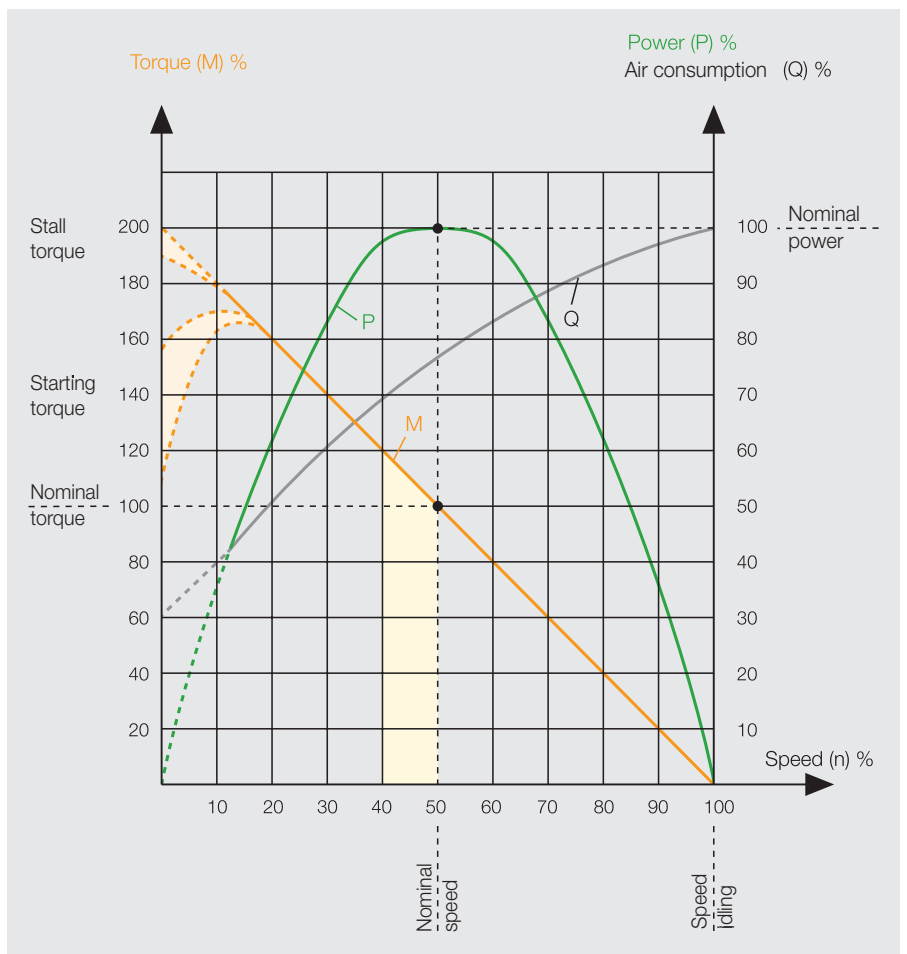
The optimal working range of an air motor is close to the nominal speed.

If you require lower speeds than those mentioned in the catalogue then you can reduce the speed smoothly by throttling the exhaust air without significant loss of performance or torque.

By throttling the supply air or decreasing the operating pressure the speed, the torque and the performance of the motor can be reduced.

All performance data for DEPRAG air motors is based on operating pressure of 6 bar and the minimum allowable opening cross-section of the feed hose as stated in each motor's data.



If your surrounding conditions vary from this you will find a comprehensive guide to our motors in brochure D6000E. We will also be happy to answer any questions directly.



= optimal working range of the air motor

## 1.6 kW POWER LINE motors

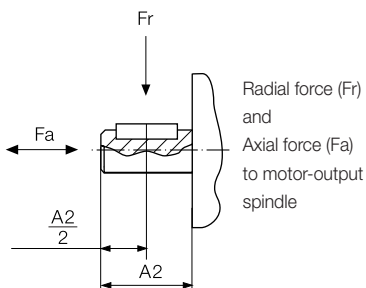
The motors in this design series can be operated in either right- or left rotation. Alternatively, the motor can also be reversed by two external 3/2-way valves or one 5/3-way valve.


Motor size 9 ATEX conform		Flange motor		
		CE  II 2G Ex h IIC T3 Gb X  II 2D Ex h IIIC T195 °C Db X		
Motor, reversible	Type	68X-001F09/IEC71	68X-003F09/IEC80	68X-007F09/IEC80
	Part no.	without gear 440908B	spur gear 440901B	planetary gear 440900B
Nominal power	kW / HP	1.6 / 2.1	1.6 / 2.1	1.6 / 2.1
Nominal speed	rpm	4500	1500	700
Speed (idling)	rpm	9000	3000	1400
Nominal torque	Nm / in.lbs	3.3 / 29	10.2 / 90	21.5 / 190
Start torque min.	Nm / in.lbs	5 / 44	15.3 / 135.4	32.2 / 285
Permissible radial force max.	N / lbs	1000 / 224	550 / 123	1200 / 268.8
Permissible axial force max.	N / lbs	600 / 134.4	1500 / 336	900 / 201.67
Air consumption	m <sup>3</sup> /min / cfm	1.9 / 67	1.9 / 67	1.9 / 67
Weight	kg / lbs	5.2 / 11.44	9.5 / 20.9	9.5 / 20.9
Hose I.D., supply air/exhaust air	mm / in.	15 <sup>5</sup> / <sub>8</sub> / 19 <sup>3</sup> / <sub>4</sub>	15 <sup>5</sup> / <sub>8</sub> / 19 <sup>3</sup> / <sub>4</sub>	15 <sup>5</sup> / <sub>8</sub> / 19 <sup>3</sup> / <sub>4</sub>

Performance data relate to an air pressure of 6 bar (85 PSI) and lubricated air

### Optional equipment


Spare parts kit	Part no.	445033B	445033D	445033E



 **Holding brake** (not ATEX conform) on page 38

 **Silencer** on page 40

 **Maintenance unit** on page 41

 **Model number description** on page 42





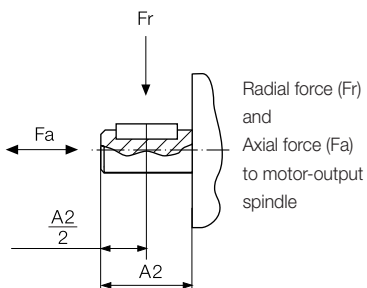
## 1.6 kW POWER LINE motors with planetary gears

Motor size 9 with planetary gear		Flange motor	
Motor, reversible	Type Part no.	68-P010F-000-09 444844B	68-P025F-000-09 444844C
Nominal power	kW / HP	1.6 / 2.1	1.6 / 2.1
Nominal speed	rpm	450	180
Speed (idling)	rpm	600 *)	190 *)
Nominal torque	Nm / in.lbs	32 / 283	80 / 708
Start torque min.	Nm / in.lbs	48 / 425	120 / 1062
Permissible radial force max.	N / lbs	2400 / 537.6	4600 / 1030
Permissible axial force max.	N / lbs	1900 / 425.6	4000 / 896
Air consumption	m <sup>3</sup> /min / cfm	1.9 / 67	1.9 / 67
Weight	kg / lbs	8.3 / 18.3	15.4 / 33.9
Hose I.D., supply air/exhaust air	mm / in.	15 <sup>5</sup> / <sub>8</sub> / 19 <sup>3</sup> / <sub>4</sub>	15 <sup>5</sup> / <sub>8</sub> / 19 <sup>3</sup> / <sub>4</sub>
Gear type		P90F	P120F
Max. gear torque for permanent load	Nm / in.lbs	35 / 310	100 / 885

Performance data relate to an air pressure of 6 bar (85 PSI) and lubricated air

\*) max. admissible speed (idling)

Optional equipment		
Spare parts kit	Part no.	445033B



**▶ Holding brake**  
on page 38

**▶ Silencer**  
on page 40

**▶ Maintenance unit**  
on page 41

**▶ Model number description**  
on page 42



## 1.6 kW POWER LINE motors with worm gears

The motors in this design series can be operated in either right- or left rotation. Alternatively, the motor can also be reversed by two external 3/2-way valves or one 5/3-way valve.

Motor size 9 with worm gear		Flange motor	Bracket motor
Motor, reversible	<b>Type</b> Part no.	<b>68-W014F1- . . . -09</b> 444858A-F <sup>1)</sup>  <b>68-W014F2- . . . -09</b> 444858G-M <sup>1)</sup>	<b>68-W014KA- . . . -09</b> 444862A-F <sup>1)</sup>
Nominal power	kW / HP	1.6 / 2.1	1.6 / 2.1
Nominal speed	rpm	320	320
Speed (idling)	rpm	430 <sup>2)</sup>	430 <sup>2)</sup>
Nominal torque	Nm / in.lbs	40 / 354	40 / 354
Start torque min.	Nm / in.lbs	42 / 371.7	42 / 371.7
Air consumption	m <sup>3</sup> /min / cfm	1.9 / 67	1.9 / 67
Weight	kg / lbs	8.2 / 18	8.2 / 18
Hose I.D., supply air/exhaust air	mm / in.	15 <sup>5</sup> / <sub>8</sub> / 19 <sup>3</sup> / <sub>4</sub>	15 <sup>5</sup> / <sub>8</sub> / 19 <sup>3</sup> / <sub>4</sub>
Gear type		W49F	W49KA
Max. gear torque for permanent load	Nm / in.lbs	49 / 433.7	49 / 433.7

Performance data relate to an air pressure of 6 bar (85 PSI) and lubricated air

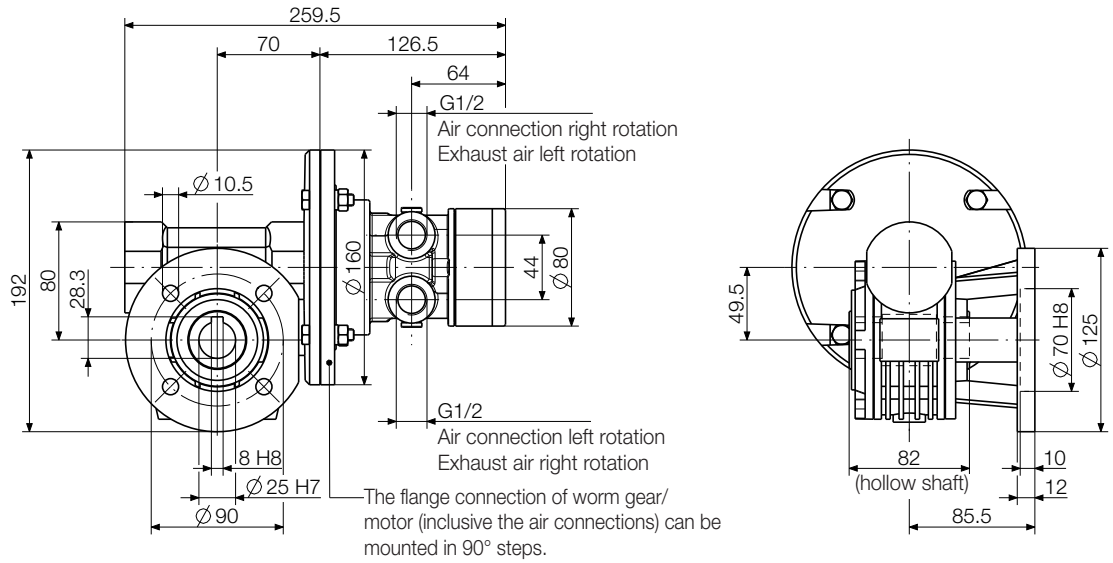
<sup>1)</sup> F1: A / B / C / D / E / F = mounting position 0B3 / 0B6 / 0B7 / 0B8 / 0V5 / 0V6  
 F2: G / H / I / K / L / M = mounting position 0B3 / 0B6 / 0B7 / 0B8 / 0V5 / 0V6  
 (Example: mounting position 0B6 = Part no. XXXXXX B)  
<sup>2)</sup> max. admissible speed (idling)

Optional equipment		
Spare parts kit	Part no.	445033B

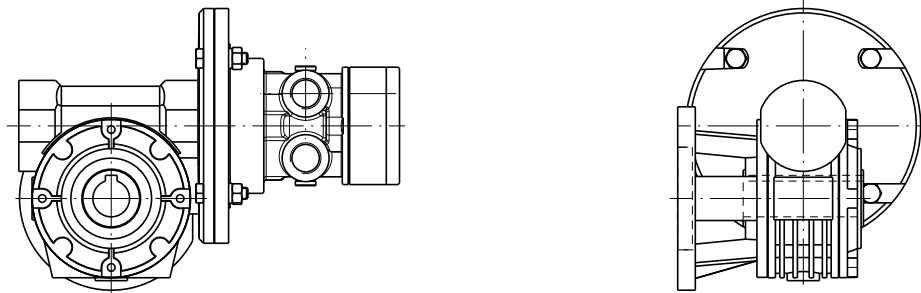
▶ <b>Mounting positions</b> on page 36	▶ <b>Permissible radial and axial forces</b> on page 39	▶ <b>Spindle designs</b> on page 39	▶ <b>Silencer</b> on page 40
▶ <b>Maintenance unit</b> on page 41	▶ <b>Model number description</b> on page 42		



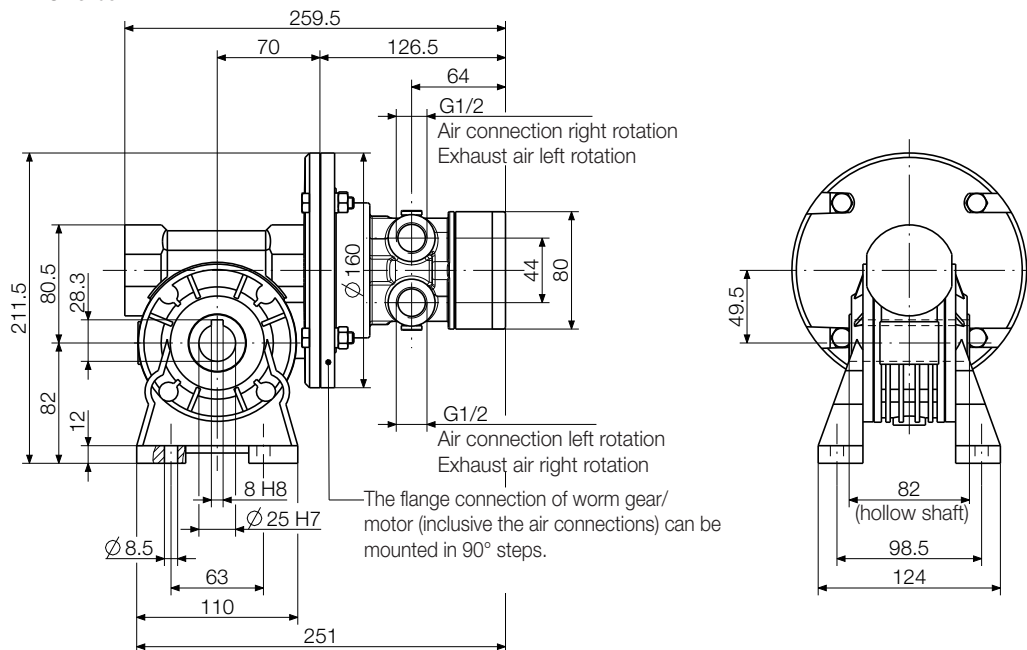
**Design with flange F2**  
i.e. 68-W014F2-OB3-09



**Design with flange F1**  
i.e. 68-W014F1-OB3-09



**Design with bracket**  
i.e. 68-W014KA-OB3-09



## 1.6 kW POWER LINE motors with worm gears

The motors in this design series can be operated in either right- or left rotation.  
Alternatively, the motor can also be reversed by two external 3/2-way valves or one 5/3-way valve.

Motor size 9 with worm gear		Universal mounting		
Motor, reversible	Type Part no.	68-W030U-. . .-09 446225A-F 1)	68-W064U-. . .-09 446226A-F 1)	68-W080U-. . .-09 446227A-F 1)
Nominal power	kW / HP	1.6 / 2.1	1.6 / 2.1	1.6 / 2.1
Nominal speed	rpm	150	70	55
Speed (idling)	rpm	200 2)	95 2)	75 2)
Nominal torque	Nm / in.lbs	79 / 699	159 / 1407	191 / 1690
Start torque min.	Nm / in.lbs	67 / 593	121 / 1071	137 / 1212
Air consumption	m <sup>3</sup> /min / cfm	1.9 / 67	1.9 / 67	1.9 / 67
Weight	kg / lbs	11.5 / 25.3	18.8 / 41.4	18.8 / 41.4
Hose I.D., supply air/exhaust air	mm / in.	15 <sup>5</sup> / <sub>8</sub> / 19 <sup>3</sup> / <sub>4</sub>	15 <sup>5</sup> / <sub>8</sub> / 19 <sup>3</sup> / <sub>4</sub>	15 <sup>5</sup> / <sub>8</sub> / 19 <sup>3</sup> / <sub>4</sub>
Gear type		W63U	W86U	W86U
Max. gear torque for permanent load	Nm / in.lbs	125 / 1106	250 / 2212	225 / 1991

Performance data relate to an air pressure of 6 bar (85 PSI) and lubricated air

1) A / B / C / D / E / F = mounting position 0B3 / 0B6 / 0B7 / 0B8 / 0V5 / 0V6  
(Example: mounting position 0B6 = Part no. XXXXXX B)

2) max. admissible speed (idling)

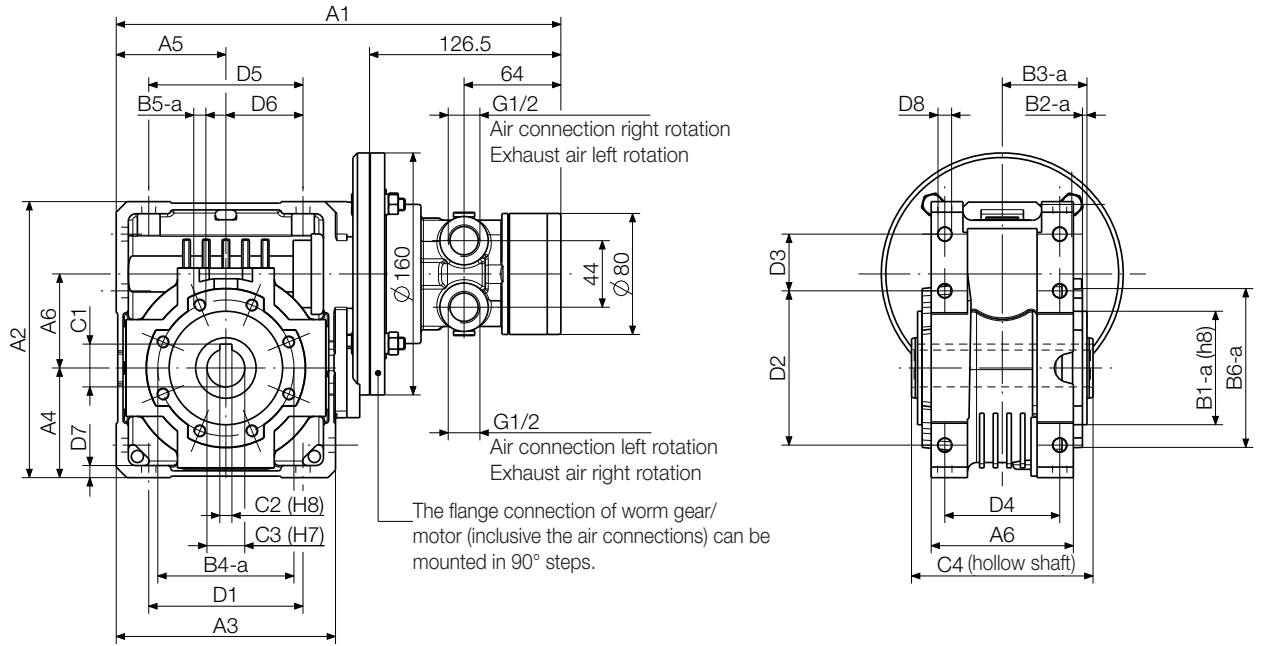
Using the universal mounting the motor can be fixed flexibly.  
As well as direct mounting, indirect mounting via a flange (F/FC) is also possible.

Optional equipment		
Spare parts kit	Part no.	445033B
Flange	Part no.	see on page 39

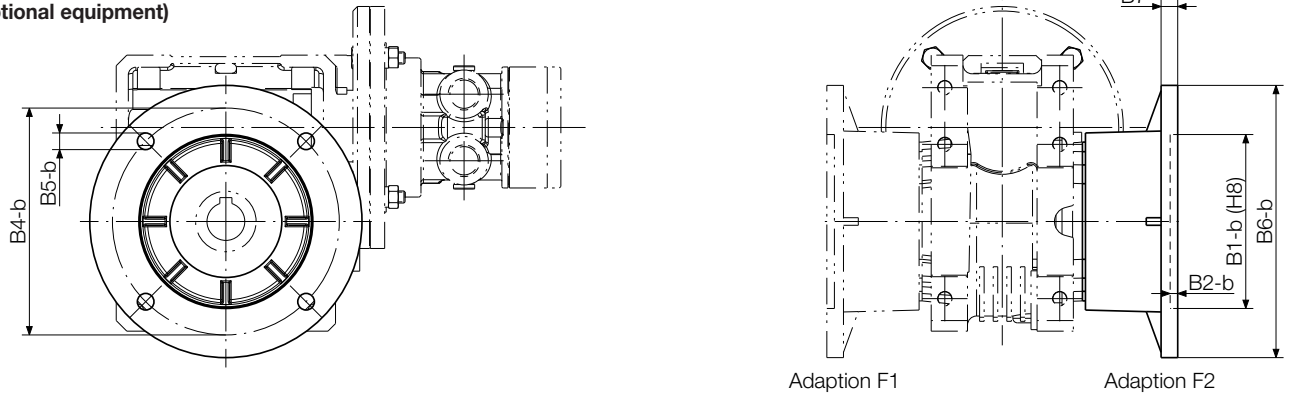
Motor size 9																				
Type	Dimensions (mm)																			
	A1	A2	A3	A4	A5	A6	B1-a	B1-b	B2-a	B2-b	B3-a	B3-b	B3-c	B4-a	B4-b	B5-a	B5-b	B6-a	B6-b	
68-W030U	294	182.5	145	72.5	72.5	94	75	115	3	5	56	116	86	90	150	M8x14	11	105	180	
68-W064U	355	245.5	200	100	100	125	110	152	3.5	6	68	151	110.5	130	176	M10x18	12.5	150	210	
68-W080U																				
	B7	C1	C2	C3	C4	D1	D2	D3	D4	D5	D6	D7	D8							
68-W030U	11	28.3	8	25	120	102	102	37.5	76	102	51	8	9							
68-W064U	15	38.3	10	35	140	144	144	45.5	101	144	72	11	11.5							
68-W080U																				

▶ <b>Shaft load</b> on page 39	▶ <b>Permissible radial and axial forces</b> on page 39	▶ <b>Flange designs F/FC</b> on page 39	▶ <b>Silencer</b> on page 40
▶ <b>Maintenance unit</b> on page 41	▶ <b>Model number description</b> on page 42		

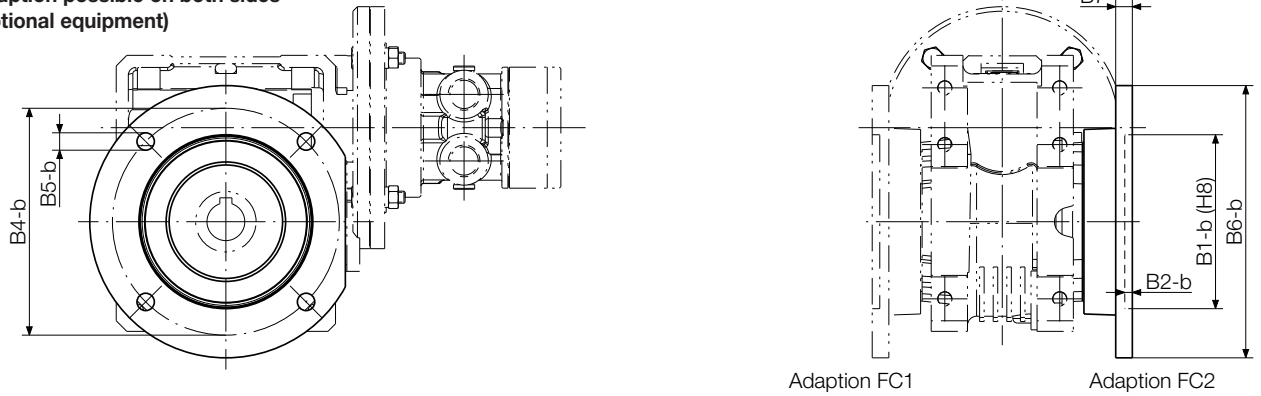
**Standard design without flange**  
i.e. 68-W030U-OB3-09



**Flange F**  
Adaption possible on both sides  
(optional equipment)



**Flange FC**  
Adaption possible on both sides  
(optional equipment)



## 1.6 kW POWER LINE motors with spur gears

The motors in this design series can be operated in either right- or left rotation. Alternatively, the motor can also be reversed by two external 3/2-way valves or one 5/3-way valve.

Motor size 9 with spur gear		Flange motor					
Type		68-S007	68-S016	68-S036	68-S064	68-S135	68-S238
Motor, reversible	Part no.	F-...-09 444845A-C <sup>1)</sup>	F-...-09 444846A-C <sup>1)</sup>	F-...-09 444847A-C <sup>1)</sup>	F-...-09 446233A-C <sup>1)</sup>	F-...-09 444849A-C <sup>1)</sup>	F-...-09 446241A-C <sup>1)</sup>
Nominal power	kW / HP	1.6 / 2.1	1.6 / 2.1	1.6 / 2.1	1.6 / 2.1	1.6 / 2.1	1.6 / 2.1
Nominal speed	rpm	590	280	120	70	33	18
Speed (idling)	rpm	660 <sup>2)</sup>	320 <sup>2)</sup>	140 <sup>2)</sup>	80 <sup>2)</sup>	37 <sup>2)</sup>	21 <sup>2)</sup>
Nominal torque	Nm / in.lbs	24 / 212.4	50 / 442.5	120 / 1062	197 / 1743	430 / 3805	716 / 6337
Start torque min.	Nm / in.lbs	36 / 318.6	75 / 664	180 / 1593	299 / 2646	645 / 5708	1084 / 9593
Permissible radial force max.	N / lbs	1140 / 255.4	2030 / 454.7	4030 / 902.7	5800 / 1299	10000 / 2240	16000 / 3584
Permissible axial force max.	N / lbs	228 / 51	406 / 91	806 / 180.5	1160 / 260	2000 / 448	3200 / 716.8
Air consumption	m <sup>3</sup> /min / cfm	1.9 / 67	1.9 / 67	1.9 / 67	1.9 / 67	1.9 / 67	1.9 / 67
Weight	kg / lbs	11.2 / 24.6	12.2 / 26.8	14.4 / 31.7	33.2 / 73	53.4 / 117.5	74.7 / 164.3
Hose I.D., supply air/exhaust air	mm / in.	15 <sup>5</sup> / <sub>8</sub> / 19 <sup>3</sup> / <sub>4</sub>	15 <sup>5</sup> / <sub>8</sub> / 19 <sup>3</sup> / <sub>4</sub>	15 <sup>5</sup> / <sub>8</sub> / 19 <sup>3</sup> / <sub>4</sub>	15 <sup>5</sup> / <sub>8</sub> / 19 <sup>3</sup> / <sub>4</sub>	15 <sup>5</sup> / <sub>8</sub> / 19 <sup>3</sup> / <sub>4</sub>	15 <sup>5</sup> / <sub>8</sub> / 19 <sup>3</sup> / <sub>4</sub>
Gear type		S122F	S222F	S322F	S413F	S513F	S614F
Max. gear torque for permanent load	Nm / in.lbs	45 / 398	140 / 1239	280 / 2478	560 / 4956	1000 / 8850	1600 / 14160

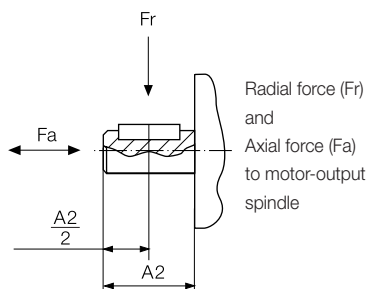
Performance data relate to an air pressure of 6 bar (85 PSI) and lubricated air

<sup>1)</sup> A / B / C = mounting position 0B5 / 0V1 / 0V3  
(Example: mounting position 0V1 = Part no. XXXXXX B)  
<sup>2)</sup> max. admissible speed (idling)

Motor size 9 with spur gear		Bracket motor					
Type		68-S007	68-S016	68-S036	68-S064	68-S135	68-S238
Motor, reversible	Part no.	K-...-09 444851A-F <sup>1)</sup>	K-...-09 444852A-F <sup>1)</sup>	K-...-09 444853A-F <sup>1)</sup>	K-...-09 446234A-F <sup>1)</sup>	K-...-09 444855A-F <sup>1)</sup>	K-...-09 446242A-F <sup>1)</sup>
Nominal power	kW / HP	1.6 / 2.1	1.6 / 2.1	1.6 / 2.1	1.6 / 2.1	1.6 / 2.1	1.6 / 2.1
Nominal speed	rpm	590	280	120	70	33	18
Speed (idling)	rpm	660 <sup>2)</sup>	320 <sup>2)</sup>	140 <sup>2)</sup>	80 <sup>2)</sup>	37 <sup>2)</sup>	21 <sup>2)</sup>
Nominal torque	Nm / in.lbs	24 / 212.4	50 / 442.5	120 / 1062	197 / 1743	430 / 3805	716 / 6337
Start torque min.	Nm / in.lbs	36 / 318.6	75 / 664	180 / 1593	299 / 2646	645 / 5708	1084 / 9593
Permissible radial force max.	N / lbs	1140 / 255.4	2030 / 454.7	4030 / 902.7	5800 / 1299	10000 / 2240	16000 / 3584
Permissible axial force max.	N / lbs	228 / 51	406 / 91	806 / 180.5	1160 / 260	2000 / 448	3200 / 716.8
Air consumption	m <sup>3</sup> /min / cfm	1.9 / 67	1.9 / 67	1.9 / 67	1.9 / 67	1.9 / 67	1.9 / 67
Weight	kg / lbs	11.2 / 24.6	12.2 / 26.8	14.4 / 31.7	33.2 / 73	53.4 / 117.5	74.7 / 164.3
Hose I.D., supply air/exhaust air	mm / in.	15 <sup>5</sup> / <sub>8</sub> / 19 <sup>3</sup> / <sub>4</sub>	15 <sup>5</sup> / <sub>8</sub> / 19 <sup>3</sup> / <sub>4</sub>	15 <sup>5</sup> / <sub>8</sub> / 19 <sup>3</sup> / <sub>4</sub>	15 <sup>5</sup> / <sub>8</sub> / 19 <sup>3</sup> / <sub>4</sub>	15 <sup>5</sup> / <sub>8</sub> / 19 <sup>3</sup> / <sub>4</sub>	15 <sup>5</sup> / <sub>8</sub> / 19 <sup>3</sup> / <sub>4</sub>
Gear type		S122K	S222K	S322K	S413K	S513K	S614K
Max. gear torque for permanent load	Nm / in.lbs	45 / 398	140 / 1239	280 / 2478	560 / 4956	1000 / 8850	1600 / 14160

Performance data relate to an air pressure of 6 bar (85 PSI) and lubricated air

<sup>1)</sup> A / B / C / D / E / F = mounting position 0B3 / 0B6 / 0B7 / 0B8 / 0V5 / 0V6  
(Example: mounting position 0B7 = Part no. XXXXXX C)  
<sup>2)</sup> max. admissible speed (idling)



### Optional equipment

Spare parts kit	Part no.	445033B
-----------------	----------	---------

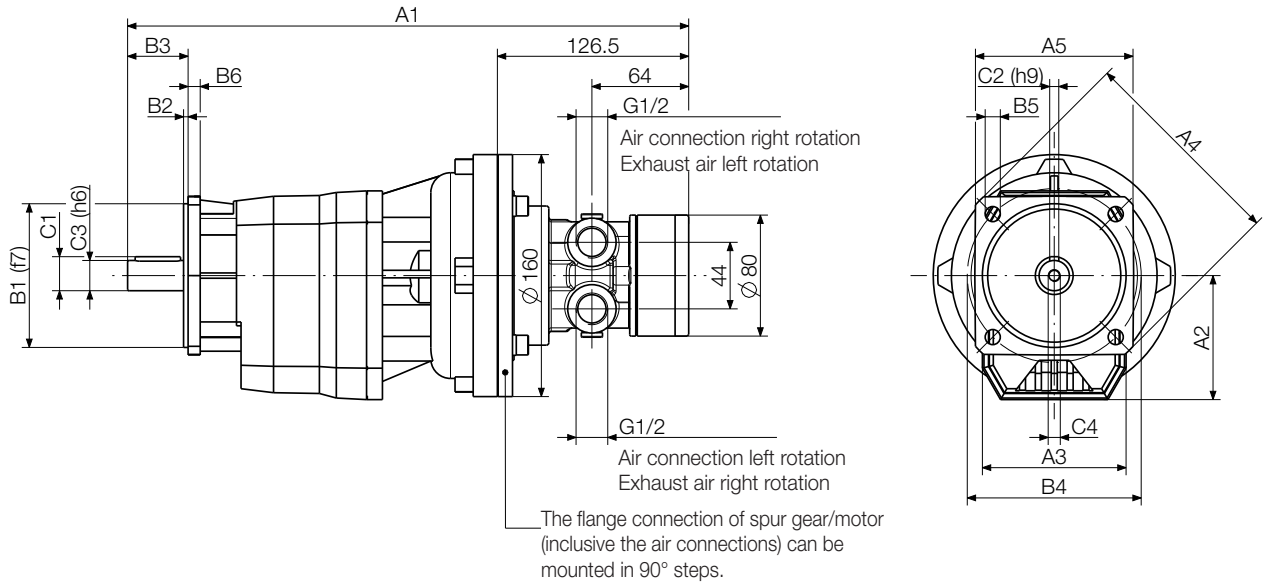
Mounting positions  
on page 37

Silencer  
on page 40

Maintenance unit  
on page 41

Model number  
description on page 42

**Flange motor**  
i.e. 68-S007F-OB3-09



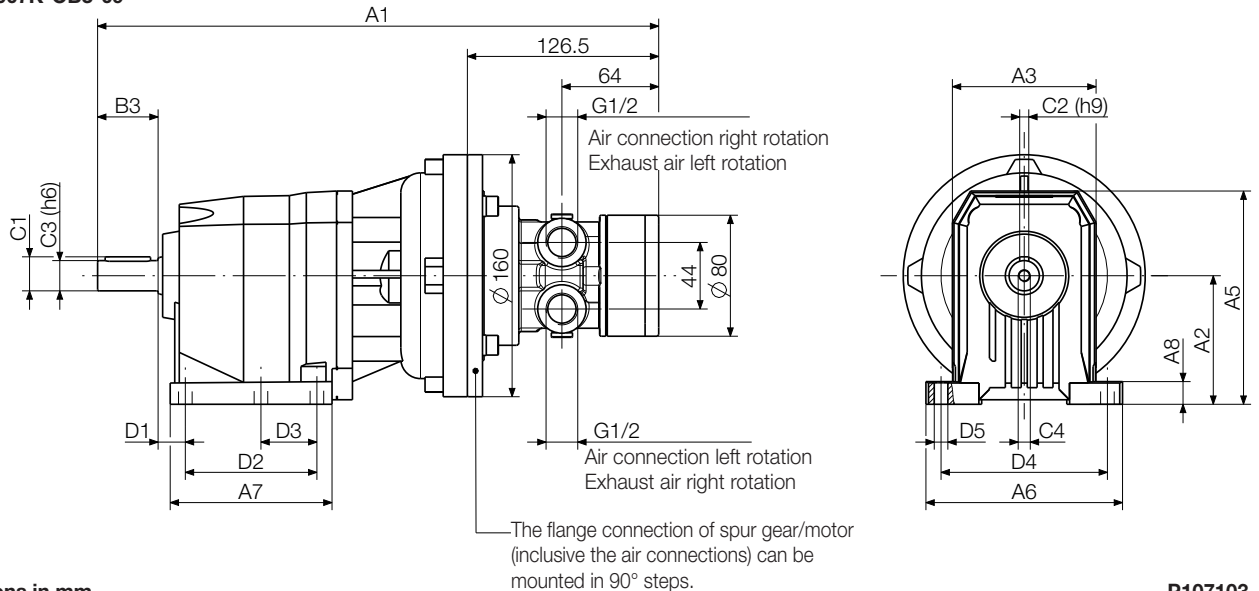
**Dimensions in mm**

**P107103**

**Motor size 9**

Type	Dimensions flange motor (mm)														
	A1	A2	A3	A4	A5	B1	B2	B3	B4	B5	B6	C1	C2	C3	C4
68-S007	371	82	95	140	□105	95	3	40	115	8	22.5	6	20		
68-S016	400	94	110	160	□110	110	3.5	50	130	10	28	8	25	M8x19	
68-S036	434	108	130	200	□150	130	3.5	60	165	12	33	10	30	M10x22	
68-S064	463	128	155	250		180	4	70	215	13	38	10	35	M10x22	
68-S135	489	152	185	300		230	4	80	265	16	43	12	40	M12x28	
68-S238	616	178.5	210	350		250	5	100	300	18	53.5	14	50	M16x36	

**Bracket motor**  
i.e. 68-S007K-OB3-09





**P107103**

Type	Dimensions bracket motor (mm)																
	A1	A2	A3	A5	A6	A7	A8	B3	C1	C2	C3	C4	D1	D2	D3	D4	D5
68-S007	371	85	95	141	130	107	15	40	22.5	6	20	M8x19	18	87	37	110	9
68-S016	400	100	110	166	155	137	17	50	28	8	25	M8x19	18	107.5	47.5	130	11
68-S036	434	110	130	181	190	156	20	60	33	10	30	M10x22	18	130	60	160	11
68-S064	463	130	155	223	216	185.5	18	70	38	10	35	M10x22	19.5	149.5	60	180	14
68-S135	489	155	185	278	270	200	22	80	43	12	40	M12x28	25	156	-	225	18
68-S238	616	195	210	316	300	232	25	100	53.5	14	50	M16x36	25	180	-	250	18

## 3.2 kW POWER LINE motors

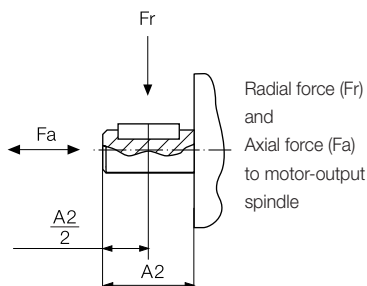
The motors in this design series can be operated in either right- or left rotation. Alternatively, the motor can also be reversed by two external 3/2-way valves or one 5/3-way valve.

Motor size 11 ATEX conform		Flange motor		
		CE  II 2G Ex h IIC T3 Gb X  II 2D Ex h IIC T195 °C Db X		
Motor, reversible	Type	68X-001F11/IEC80	68X-002F11/IEC90	68X-005F11/IEC90
	Part no.	440907B	440903B	440902B
Nominal power	kW / HP	3.2 / 4.3	3.2 / 4.3	3.2 / 4.3
Nominal speed	rpm	3500	1500	700
Speed (idling)	rpm	7000	3000	1400
Nominal torque	Nm / in.lbs	8.7 / 77	20.4 / 180.5	43.6 / 385.9
Start torque min.	Nm / in.lbs	13.1 / 116	30.6 / 270.8	65.5 / 579.7
Permissible radial force max.	N / lbs	1400 / 313.6	800 / 179.2	1600 / 358.4
Permissible axial force max.	N / lbs	700 / 156.8	1450 / 324.8	1350 / 302.4
Air consumption	m <sup>3</sup> /min / cfm	3.9 / 137.7	3.9 / 137.7	3.9 / 137.7
Weight	kg / lbs	10.3 / 22.7	15.4 / 33.9	13.6 / 29.9
Hose I.D., supply air/exhaust air	mm / in.	19 <sup>3</sup> / <sub>4</sub> / 25 <sup>63</sup> / <sub>64</sub>	19 <sup>3</sup> / <sub>4</sub> / 25 <sup>63</sup> / <sub>64</sub>	19 <sup>3</sup> / <sub>4</sub> / 25 <sup>63</sup> / <sub>64</sub>

Performance data relate to an air pressure of 6 bar (85 PSI) and lubricated air

### Optional equipment

Spare parts kit	Part no.	445034B	445034D	445034E



**Holding brake** (not ATEX conform) on page 38

**Silencer** on page 40

**Maintenance unit** on page 41

**Model number description** on page 42





## 3.2 kW POWER LINE motors with planetary gears

The motors in this design series can be operated in either right- or left rotation. Alternatively, the motor can also be reversed by two external 3/2-way valves or one 5/3-way valve.

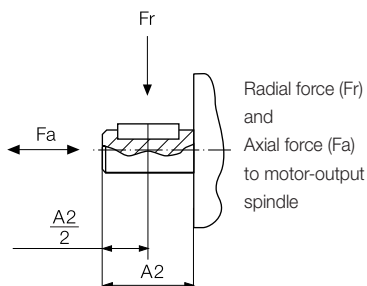
Motor size 11 with planetary gear		Flange motor
Motor, reversible	Type Part no.	<b>68-P010F-000-11</b> 444857B
Nominal power	kW / HP	3.2 / 4.3
Nominal speed	rpm	350
Speed (idling)	rpm	600 *)
Nominal torque	Nm / in.lbs	84 / 743.4 1)
Start torque min.	Nm / in.lbs	131 / 1159.35 1)
Permissible radial force max.	N / lbs	2400 / 537.6
Permissible axial force max.	N / lbs	1900 / 425.6
Air consumption	m <sup>3</sup> /min / cfm	3.9 / 137.7
Weight	kg / lbs	14.3 / 31.5
Hose I.D., supply air/exhaust air	mm / in.	19/3/4 / 25/63/64
Gear type		P90F
Max. gear torque for permanent load	Nm / in.lbs	40 / 354 1)

Performance data relate to an air pressure of 6 bar (85 PSI) and lubricated air

\*) max. admissible speed (idling)

1) Maximum torque 480 Nm for a maximum of 1000 cycles under load.

Optional equipment	
Spare parts kit	Part no. 445034B



▶ **Holding brake**  
on page 38

▶ **Silencer**  
on page 40

▶ **Maintenance unit**  
on page 41

▶ **Model number description**  
on page 42



## 3.2 kW POWER LINE motors with worm gears

The motors in this design series can be operated in either right- or left rotation.  
Alternatively, the motor can also be reversed by two external 3/2-way valves or one 5/3-way valve.

Motor size 11 with worm gear		Universal mounting		
Type	Part no.	68-W010U-...-11 446243A-F 1)	68-W023U-...-11 446228A-F 1)	68-W040U-...-11 446229A-F 1)
Motor, reversible				
Nominal power	kW / HP	3.2 / 4.3	3.2 / 4.3	3.2 / 4.3
Nominal speed	rpm	350	150	85
Speed (idling)	rpm	500 2)	220 2)	125 2)
Nominal torque	Nm / in.lbs	76 / 672.6	170 / 1504.5	280 / 2478
Start torque min.	Nm / in.lbs	86 / 761.1	174 / 1540	240 / 2124
Air consumption	m <sup>3</sup> /min / cfm	3.9 / 137.7	3.9 / 137.7	3.9 / 137.7
Weight	kg / lbs	16.8 / 37	24.1 / 53	24.1 / 53
Hose I.D., supply air/exhaust air	mm / in.	19 <sup>3</sup> / <sub>4</sub> / 25 <sup>63</sup> / <sub>64</sub>	19 <sup>3</sup> / <sub>4</sub> / 25 <sup>63</sup> / <sub>64</sub>	19 <sup>3</sup> / <sub>4</sub> / 25 <sup>63</sup> / <sub>64</sub>
Gear type		W63U	W86U	W86U
Max. gear torque for permanent load	Nm / in.lbs	125 / 1106	285 / 2522	295 / 2611

Performance data relate to an air pressure of 6 bar (85 PSI) and lubricated air

1) A / B / C / D / E / F = mounting position 0B3 / 0B6 / 0B7 / 0B8 / 0V5 / 0V6  
(Example: mounting position 0B6 = Part no. XXXXXX B)  
2) max. admissible speed (idling)

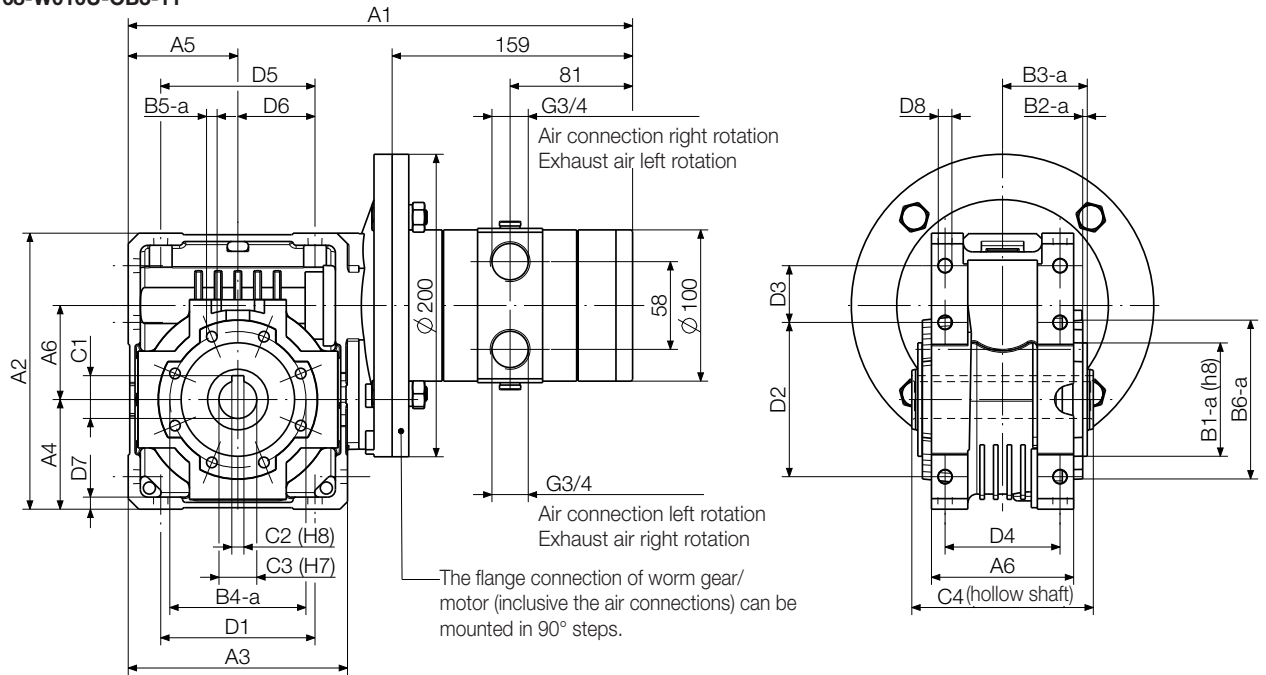
Using the universal mounting the motor can be fixed flexibly.  
As well as direct mounting, indirect mounting via a flange (F/FC) is also possible.

Optional equipment		
Spare parts kit	Part no.	445034B
Flange	Part no.	see on page 39

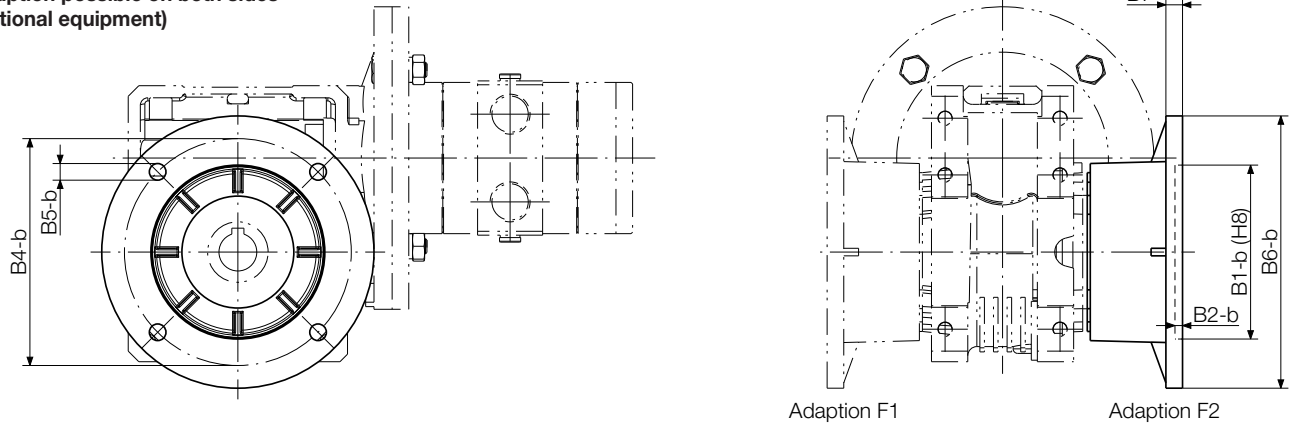
Motor size 11																			
Type	Dimensions (mm)																		
	A1	A2	A3	A4	A5	A6	B1-a	B1-b	B2-a	B2-b	B3-a	B3-b	B3-c	B4-a	B4-b	B5-a	B5-b	B6-a	B6-b
68-W010U	334	182.5	145	72.5	72.5	94	75	115	3	5	56	116	86	90	150	M8x14	11	105	180
68-W023U	387	245.5	200	100	100	125	110	152	3.5	6	68	151	110.5	130	176	M10x18	12.5	150	210
68-W040U																			
	B7	C1	C2	C3	C4	D1	D2	D3	D4	D5	D6	D7	D8						
68-W010U	11	28.3	8	25	120	102	102	37.5	76	102	51	8	9						
68-W023U	15	38.3	10	35	140	144	144	45.5	101	144	72	11	11.5						
68-W040U																			

▶ <b>Shaft load</b> on page 39	▶ <b>Permissible radial and axial forces</b> on page 39	▶ <b>Flange designs F/FC</b> on page 39	▶ <b>Silencer</b> on page 40
▶ <b>Maintenance unit</b> on page 41	▶ <b>Model number description</b> on page 42		

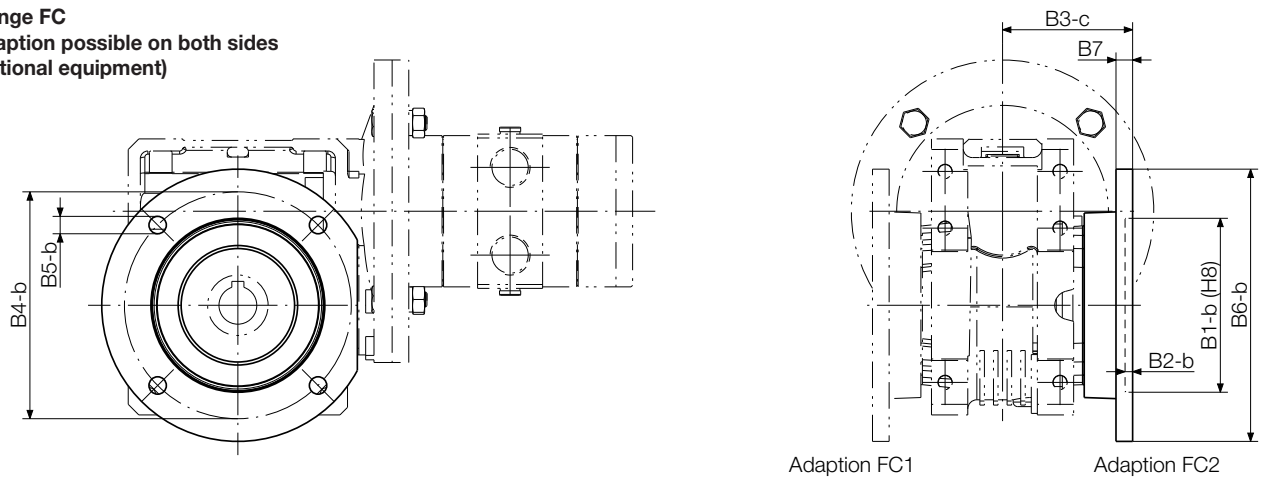
**Standard design without flange**  
i.e. 68-W010U-OB3-11



**Flange F**  
Adaption possible on both sides  
(optional equipment)



**Flange FC**  
Adaption possible on both sides  
(optional equipment)



## 3.2 kW POWER LINE motors with worm gears

The motors in this design series can be operated in either right- or left rotation. Alternatively, the motor can also be reversed by two external 3/2-way valves or one 5/3-way valve.

Motor size 11 with worm gear		Flange motor	Bracket motor
Motor, reversible	<b>Type</b> Part no.	<b>68-W080F1- . . . -11</b> 444886A-F <sup>1)</sup>  <b>68-W080F2- . . . -11</b> 444886G-M <sup>1)</sup>	<b>68-W080KA- . . . -11</b> 444890A-F <sup>1)</sup>
Nominal power	kW / HP	3.2 / 4.3	3.2 / 4.3
Nominal speed	rpm	44	44
Speed (idling)	rpm	62 <sup>2)</sup>	62 <sup>2)</sup>
Nominal torque	Nm / in.lbs	508 / 4496	508 / 4496
Start torque min.	Nm / in.lbs	365 / 3230	365 / 3230
Air consumption	m <sup>3</sup> /min / cfm	3.9 / 137.7	3.9 / 137.7
Weight	kg / lbs	63 / 138.6	63 / 138.6
Hose I.D., supply air/exhaust air	mm / in.	19/ <sup>3</sup> / <sub>4</sub> / 25/ <sup>63</sup> / <sub>64</sub>	19/ <sup>3</sup> / <sub>4</sub> / 25/ <sup>63</sup> / <sub>64</sub>
Gear type		W130F	W130K
Max. gear torque for permanent load	Nm / in.lbs	660 / 5841	660 / 5841

Performance data relate to an air pressure of 6 bar (85 PSI) and lubricated air

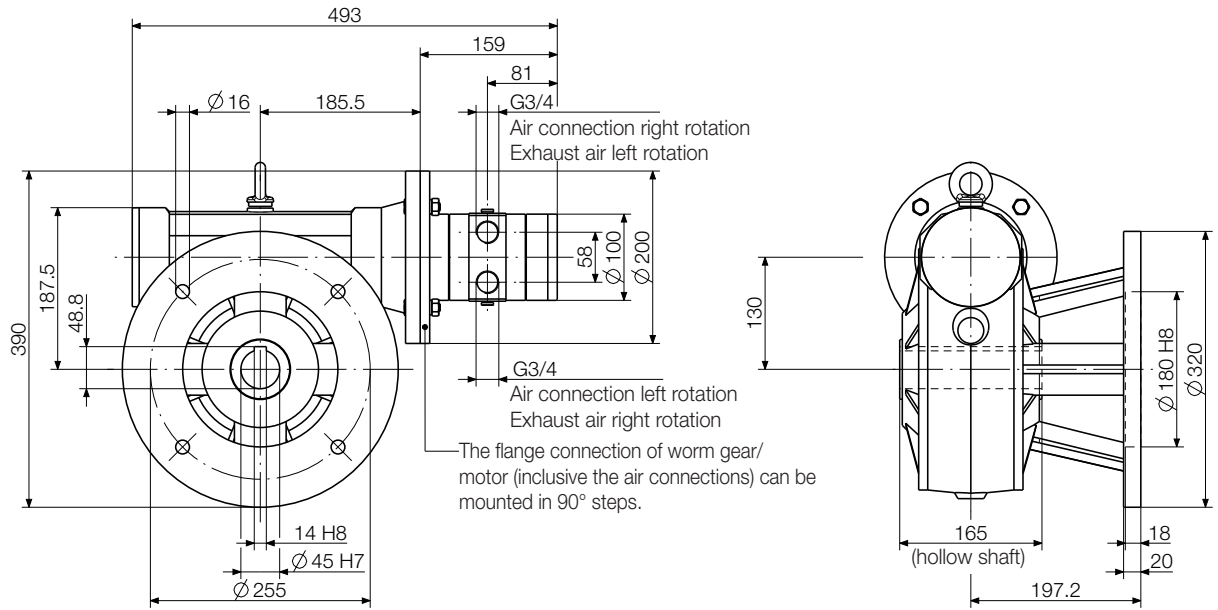
<sup>1)</sup> F1: A / B / C / D / E / F = mounting position 0B3 / 0B6 / 0B7 / 0B8 / 0V5 / 0V6  
 F2: G / H / I / K / L / M = mounting position 0B3 / 0B6 / 0B7 / 0B8 / 0V5 / 0V6  
 (Example: mounting position 0B6 = Part no. XXXXXX B)  
<sup>2)</sup> max. admissible speed (idling)

### Optional equipment

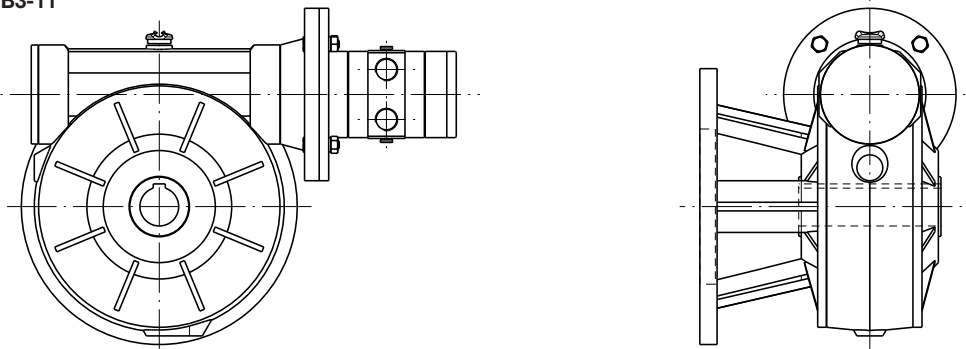
Spare parts kit	Part no.
	445034B

▶ <b>Mounting positions</b> on page 36	▶ <b>Permissible radial and axial forces</b> on page 39	▶ <b>Spindle designs</b> on page 39	▶ <b>Silencer</b> on page 40
▶ <b>Maintenance unit</b> on page 41	▶ <b>Model number description</b> on page 42		

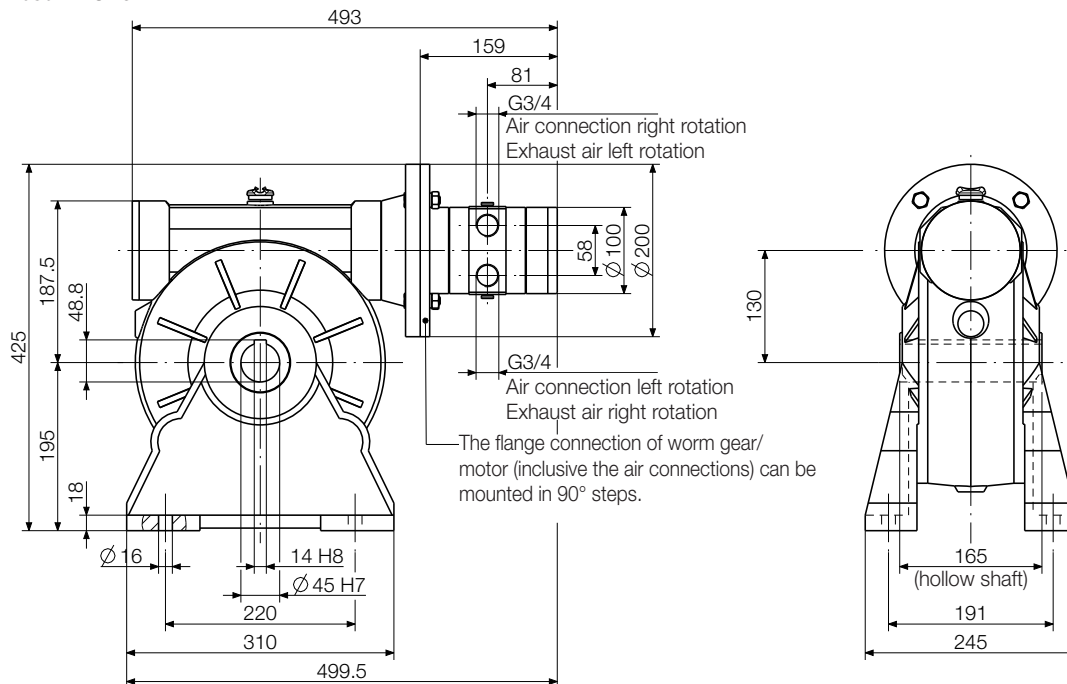
**Design with flange F2**  
i.e. 68-W080F2-OB3-11



**Design with flange F1**  
i.e. 68-W080F1-OB3-11



**Design with bracket**  
i.e. 68-W080KA-OB3-11



## 3.2 kW POWER LINE motors with spur gears

The motors in this design series can be operated in either right- or left rotation. Alternatively, the motor can also be reversed by two external 3/2-way valves or one 5/3-way valve.

Motor size 11 with spur gear		Flange motor					
Motor, reversible	Type	68-S006	68-S010	68-S020	68-S045	68-S093	68-S150
	Part no.	F-...-11 444871A-C 1)	F-...-11 444872A-C 1)	F-...-11 444873A-C 1)	F-...-11 444874A-C 1)	F-...-11 446244A-C 1)	F-...-11 446245A-C 1)
Nominal power	kW / HP	3.2 / 4.3	3.2 / 4.3	3.2 / 4.3	3.2 / 4.3	3.2 / 4.3	3.2 / 4.3
Nominal speed	rpm	565	365	175	80	40	20
Speed (idling)	rpm	800 2)	520 2)	250 2)	110 2)	55 2)	30 2)
Nominal torque	Nm / in.lbs	51 / 451.4	79.5 / 703.6	165 / 1460	362 / 3204	710 / 6284	1420 / 12567
Start torque min.	Nm / in.lbs	77 / 681.5	119 / 1053	248 / 2195	544 / 4814	1065 / 9425	2130 / 18850
Permissible radial force max.	N / lbs	660 / 147.8	1750 / 392	3290 / 737	5130 / 1149	10000 / 2240	16000 / 3584
Permissible axial force max.	N / lbs	132 / 29.6	350 / 78.4	658 / 147.4	1026 / 230	2000 / 448	3200 / 716.8
Air consumption	m <sup>3</sup> /min / cfm	3.9 / 137.7	3.9 / 137.7	3.9 / 137.7	3.9 / 137.7	3.9 / 137.7	3.9 / 137.7
Weight	kg / lbs	17.3 / 38	18.3 / 40.3	20.3 / 44.7	39.3 / 86.5	60.5 / 133.1	76 / 167.2
Hose I.D., supply air/exhaust air	mm / in.	19 <sup>3</sup> / <sub>4</sub> / 25 <sup>63</sup> / <sub>64</sub>	19 <sup>3</sup> / <sub>4</sub> / 25 <sup>63</sup> / <sub>64</sub>	19 <sup>3</sup> / <sub>4</sub> / 25 <sup>63</sup> / <sub>64</sub>	19 <sup>3</sup> / <sub>4</sub> / 25 <sup>63</sup> / <sub>64</sub>	19 <sup>3</sup> / <sub>4</sub> / 25 <sup>63</sup> / <sub>64</sub>	19 <sup>3</sup> / <sub>4</sub> / 25 <sup>63</sup> / <sub>64</sub>
Gear type		S122F	S222F	S322F	S412F	S513F	S613F
Max. gear torque for permanent load	Nm / in.lbs	42 / 371.7	115 / 1018	235 / 2080	500 / 4425	1000 / 8850	1600 / 14160

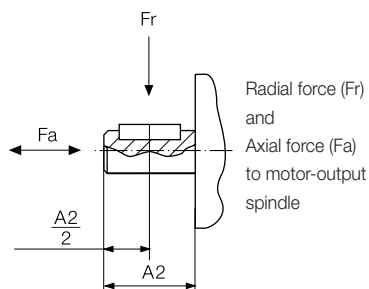
Performance data relate to an air pressure of 6 bar (85 PSI) and lubricated air

1) A / B / C = mounting position 0B5 / 0V1 / 0V3  
(Example: mounting position 0V1 = Part no. XXXXXX B)  
2) max. admissible speed (idling)

Motor size 11 with spur gear		Bracket motor					
Motor, reversible	Type	68-S006	68-S010	68-S020	68-S045	68-S093	68-S150
	Part no.	K-...-11 444877A-F 1)	K-...-11 444878A-F 1)	K-...-11 444879A-F 1)	K-...-11 444880A-F 1)	K-...-11 446246A-F 1)	K-...-11 446247A-F 1)
Nominal power	kW / HP	3.2 / 4.3	3.2 / 4.3	3.2 / 4.3	3.2 / 4.3	3.2 / 4.3	3.2 / 4.3
Nominal speed	rpm	565	365	175	80	40	20
Speed (idling)	rpm	800 2)	520 2)	250 2)	110 2)	55 2)	30 2)
Nominal torque	Nm / in.lbs	51 / 451.4	79.5 / 703.6	165 / 1460	362 / 3204	710 / 6284	1420 / 12567
Start torque min.	Nm / in.lbs	77 / 681.5	119 / 1053	248 / 2195	544 / 4814	1065 / 9425	2130 / 18850
Permissible radial force max.	N / lbs	660 / 147.8	1750 / 392	3290 / 737	5130 / 1149	10000 / 2240	16000 / 3584
Permissible axial force max.	N / lbs	132 / 29.6	350 / 78.4	658 / 147.4	1026 / 230	2000 / 448	3200 / 716.8
Air consumption	m <sup>3</sup> /min / cfm	3.9 / 137.7	3.9 / 137.7	3.9 / 137.7	3.9 / 137.7	3.9 / 137.7	3.9 / 137.7
Weight	kg / lbs	17.3 / 38	18.3 / 40.3	20.3 / 44.7	39.3 / 86.5	60.5 / 133.1	76 / 167.2
Hose I.D., supply air/exhaust air	mm / in.	19 <sup>3</sup> / <sub>4</sub> / 25 <sup>63</sup> / <sub>64</sub>	19 <sup>3</sup> / <sub>4</sub> / 25 <sup>63</sup> / <sub>64</sub>	19 <sup>3</sup> / <sub>4</sub> / 25 <sup>63</sup> / <sub>64</sub>	19 <sup>3</sup> / <sub>4</sub> / 25 <sup>63</sup> / <sub>64</sub>	19 <sup>3</sup> / <sub>4</sub> / 25 <sup>63</sup> / <sub>64</sub>	19 <sup>3</sup> / <sub>4</sub> / 25 <sup>63</sup> / <sub>64</sub>
Gear type		S122K	S222K	S322K	S412K	S513K	S613K
Max. gear torque for permanent load	Nm / in.lbs	42 / 371.7	115 / 1018	235 / 2080	500 / 4425	1000 / 8850	1600 / 14160

Performance data relate to an air pressure of 6 bar (85 PSI) and lubricated air

1) A / B / C / D / E / F = mounting position 0B3 / 0B6 / 0B7 / 0B8 / 0V5 / 0V6  
(Example: mounting position 0B7 = Part no. XXXXXX C)  
2) max. admissible speed (idling)



### Optional equipment

Spare parts kit	Part no.	445034B
-----------------	----------	---------

▶ **Mounting positions**  
on page 37

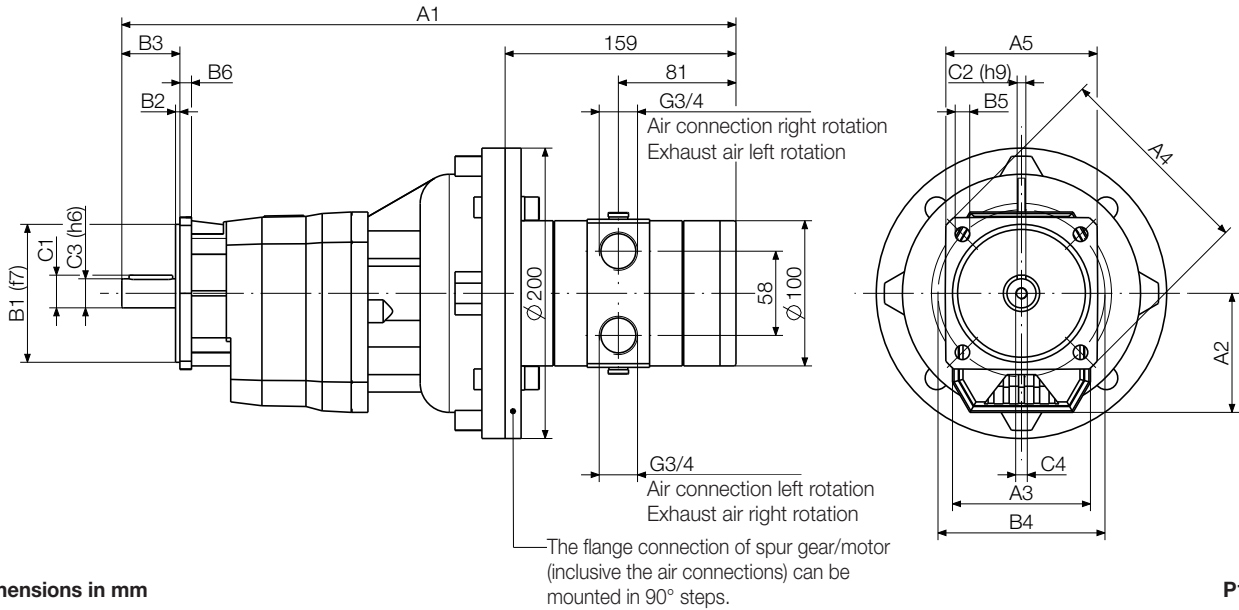
▶ **Silencer**  
on page 40

▶ **Maintenance unit**  
on page 41

▶ **Model number description**  
on page 42



**Flange motor**  
i.e. 68-S006F-OB3-11



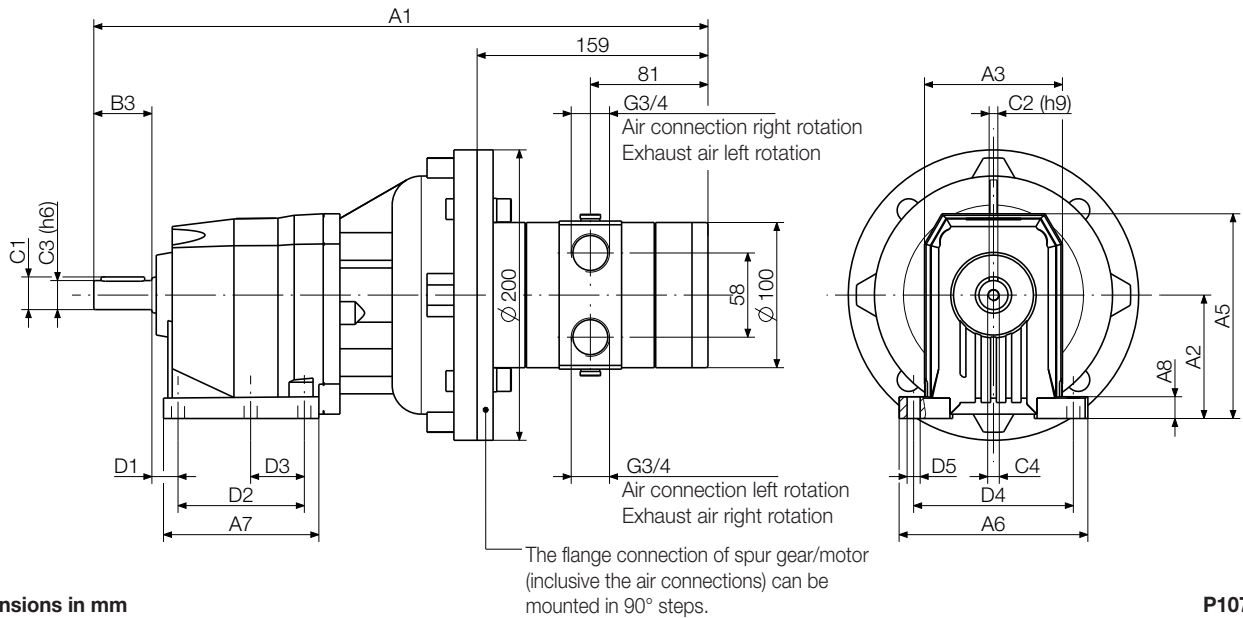
Dimensions in mm

P107204

**Motor size 11**

Type	Dimensions flange motor (mm)														
	A1	A2	A3	A4	A5	B1	B2	B3	B4	B5	B6	C1	C2	C3	C4
68-S006	423	82	95	140	□105	95	3	40	115	9.5	8	22.5	6	20	M8x19
68-S010	451	94	110	160	□110	110	3.5	50	130	9.5	10	28	8	25	M8x19
68-S020	486	108	130	200	□150	130	3.5	60	165	11.5	12	33	10	30	M10x22
68-S045	515	128	155	250	-	180	4	70	215	14	13	38	10	35	M10x22
68-S093	541	152	185	300	-	230	4	80	265	14	16	43	12	40	M12x28
68-S150	594	178.5	210	350	-	250	5	100	300	18	18	53.5	14	50	M16x36

**Bracket motor**  
i.e. 68-S006K-OB3-11



Dimensions in mm




P107204

**Motor size 11**

Type	Dimensions bracket motor (mm)																		
	A1	A2	A3	A5	A6	A7	A8	B3	C1	C2	C3	C4	D1	D2	D3	D4	D5		
68-S006	423	85	95	141	130	107	15	40	22.5	6	20	M8x19	18	87	37	110	9		
68-S010	451	100	110	166	155	137	17	50	28	8	25	M8x19	18	107.5	47.5	130	11		
68-S020	486	110	130	181	190	156	20	60	33	10	30	M10x22	19.5	130	60	160	11		
68-S045	515	130	155	223	216	185.5	18	70	38	10	35	M10x22	19.5	149.5	-	180	14		
68-S093	541	155	185	278	270	200	22	80	43	12	40	M12x28	25	156	-	225	18		
68-S150	594	195	210	316	300	232	25	100	53.5	14	50	M16x36	25	180	-	250	18		

## 5 kW and 6 kW POWER LINE motors



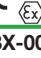
The motors in this design series can be operated in either right- or left rotation.  
Alternatively, the motor can also be reversed by two external 3/2-way valves or one 5/3-way valve.

<b>Motor size 13</b> ATEX conform <b>5.0 kW</b>		Flange motor   II 2G Ex h IIC T3 Gb X  II 2D Ex h IIC T195 °C Db X		
Motor, reversible	Type	<b>68X-001F13/IEC90</b>	<b>68X-002F13/IEC100</b>	<b>68X-004F13/IEC100</b>
	Part no.	440906B	440905B	440904B
Nominal power	kW / HP	5.0 / 6.7	5.0 / 6.7	5.0 / 6.7
Nominal speed	rpm	3000	1500	725
Speed (idling)	rpm	6000	3000	1450
Nominal torque	Nm / in.lbs	15.9 / 140.7	32 / 283.2	66 / 584.1
Start torque min.	Nm / in.lbs	23.9 / 211.5	48 / 424.8	99 / 876
Permissible radial force max.	N / lbs	1900 / 425.6	1250 / 280	2650 / 593.6
Permissible axial force max.	N / lbs	900 / 201.6	950 / 212.8	1150 / 257.6
Air consumption (under load)	m <sup>3</sup> /min / cfm	5.8 / 204.7	5.8 / 204.7	5.8 / 204.7
Weight	kg / lbs	17 / 37.4	25.8 / 56.7	26.8 / 59
Hose I.D., supply air/exhaust air	mm / in.	25 <sup>63</sup> /64 / 32/1 <sup>17</sup> /64	25 <sup>63</sup> /64 / 32/1 <sup>17</sup> /64	25 <sup>63</sup> /64 / 32/1 <sup>17</sup> /64

Performance data relate to an air pressure of 6 bar (85 PSI) and lubricated air

### Optional equipment

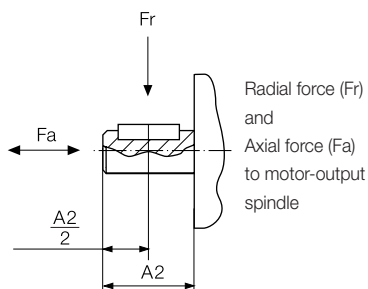
Spare parts kit	Part no.	445035B	445035D	445035E


<b>Motor size 15</b> ATEX conform <b>6.0 kW</b>		Flange motor   II 2G Ex h IIC T3 Gb X  II 2D Ex h IIC T195 °C Db X		
Motor, reversible	Type	<b>68X-001F15/IEC90</b>	<b>68X-002F15/IEC100</b>	<b>68X-004F15/IEC100</b>
	Part no.	4408001A	4408001B	4408001C
Nominal power	kW / HP	6.0 / 8	6.0 / 8	6.0 / 8
Nominal speed	rpm	3500	1700	800
Speed (idling)	rpm	7000	3500	1600
Nominal torque	Nm / in.lbs	16.4 / 145	33.7 / 298.2	71 / 628.3
Start torque min.	Nm / in.lbs	24.6 / 217.7	50.6 / 447.8	107 / 947
Permissible radial force max.	N / lbs	1900 / 425.6	1250 / 280	2650 / 593.6
Permissible axial force max.	N / lbs	900 / 201.6	880 / 197	1150 / 257.6
Air consumption (under load)	m <sup>3</sup> /min / cfm	7.9 / 278.9	7.9 / 278.9	7.9 / 278.9
Weight	kg / lbs	17 / 37.4	25.8 / 56.7	26.8 / 59
Hose I.D., supply air/exhaust air	mm / in.	25 <sup>63</sup> /64 / 32/1 <sup>17</sup> /64	25 <sup>63</sup> /64 / 32/1 <sup>17</sup> /64	25 <sup>63</sup> /64 / 32/1 <sup>17</sup> /64

Performance data relate to an air pressure of 6 bar (85 PSI) and lubricated air

### Optional equipment

Spare parts kit	Part no.	445035B	445035D	445035E



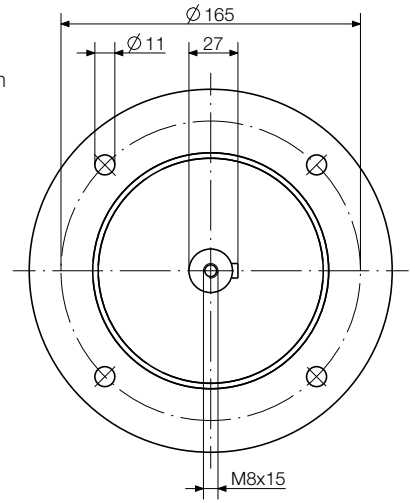
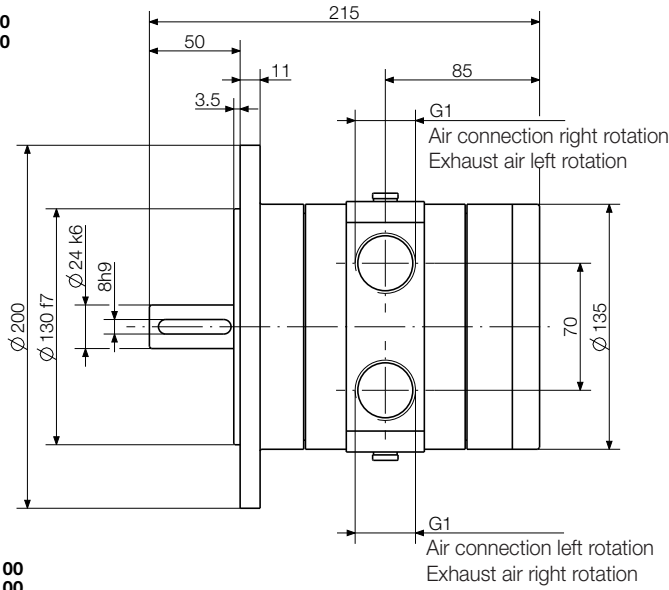
 **Holding brake** (not ATEX conform) on page 38

 **Silencer** on page 40

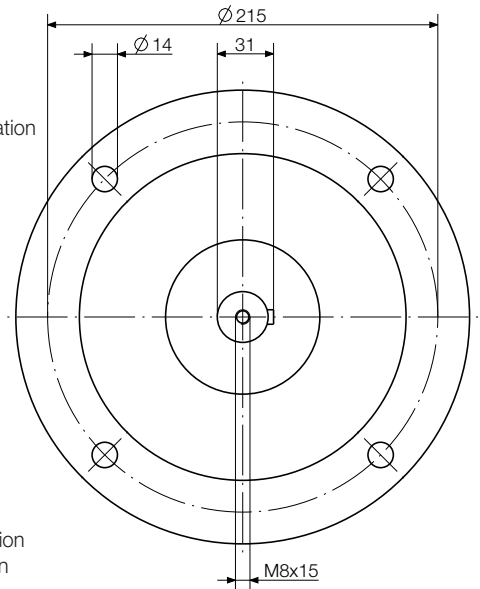
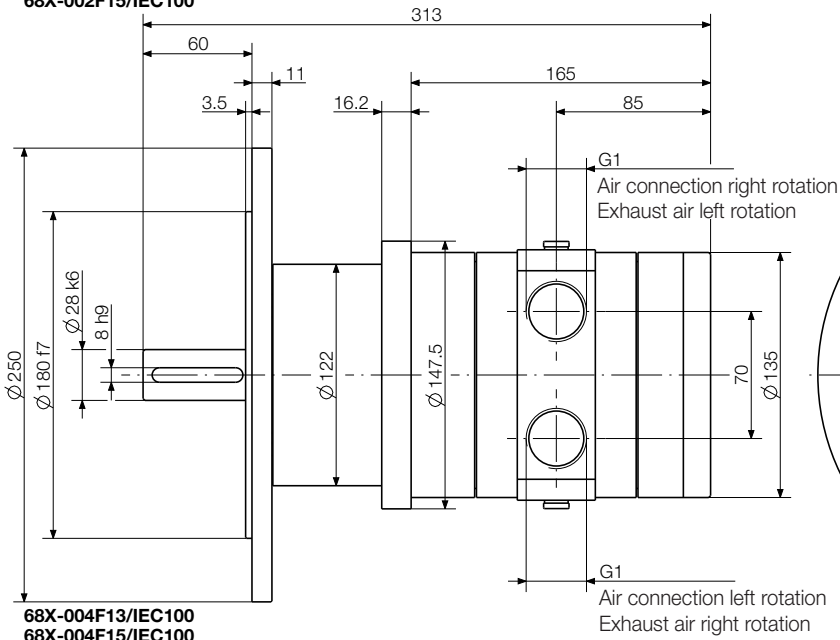
 **Maintenance unit** on page 41

 **Model number description** on page 42

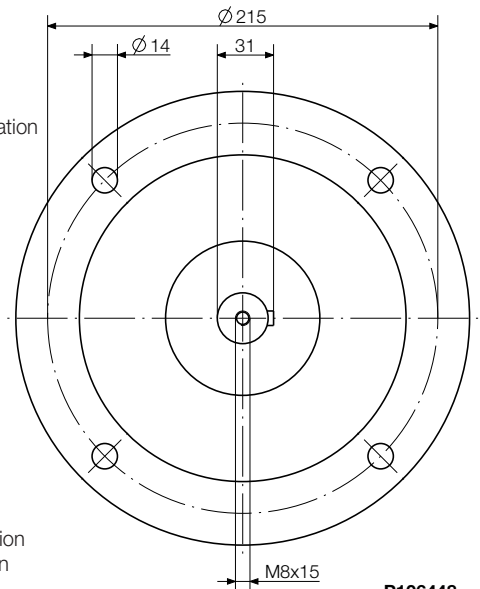
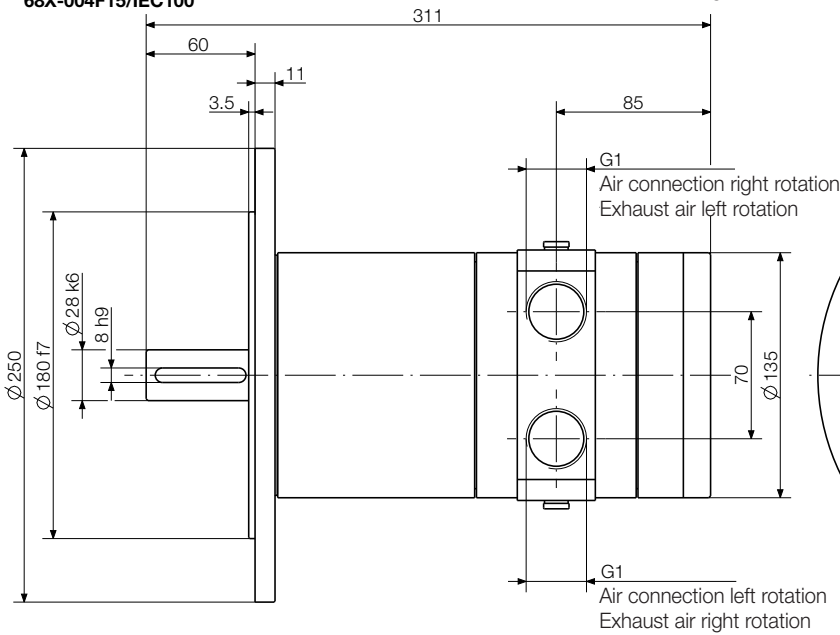
68X-001F13/IEC90  
68X-001F15/IEC90



68X-002F13/IEC100  
68X-002F15/IEC100



68X-004F13/IEC100  
68X-004F15/IEC100



Dimensions in mm

P106448

## 5 kW POWER LINE motors with worm gears

The motors in this design series can be operated in either right- or left rotation. Alternatively, the motor can also be reversed by two external 3/2-way valves or one 5/3-way valve.

Motor size 13 with worm gear		Universal mounting		
Motor, reversible	Type Part no.	68-W010U-...-13 102922A-F <sup>1)</sup>	68-W023U-...-13 102924A-F <sup>1)</sup>	68-W040U-...-13 446232A-F <sup>1)</sup>
Nominal power	kW / HP	5.0 / 6.7	5.0 / 6.7	5.0 / 6.7
Nominal speed	rpm	300	130	75
Speed (idling)	rpm	500 <sup>2)</sup>	220 <sup>2)</sup>	125 <sup>2)</sup>
Nominal torque	Nm / in.lbs	143 / 1265.5	315 / 2788	509 / 4505
Start torque min.	Nm / in.lbs	160 / 1416	325 / 2876	439 / 3885
Air consumption	m <sup>3</sup> /min / cfm	5.8 / 204.7	5.8 / 204.7	5.8 / 204.7
Weight	kg / lbs	26.6 / 58.5	45 / 99	48 / 105.6
Hose I.D., supply air/exhaust air	mm / in.	25/ <sup>63</sup> / <sub>64</sub> / 32/ <sup>117</sup> / <sub>64</sub>	25/ <sup>63</sup> / <sub>64</sub> / 32/ <sup>117</sup> / <sub>64</sub>	25/ <sup>63</sup> / <sub>64</sub> / 32/ <sup>117</sup> / <sub>64</sub>
Gear type		W75U	W110U	W110U
Max. gear torque for permanent load	Nm / in.lbs	205 / 1814	480 / 4248	595 / 5266

Performance data relate to an air pressure of 6 bar (85 PSI) and lubricated air

<sup>1)</sup> A / B / C / D / E / F = mounting position 0B3 / 0B6 / 0B7 / 0B8 / 0V5 / 0V6  
(Example: mounting position 0B6 = Part no. XXXXXX B)

<sup>2)</sup> max. admissible speed (idling)

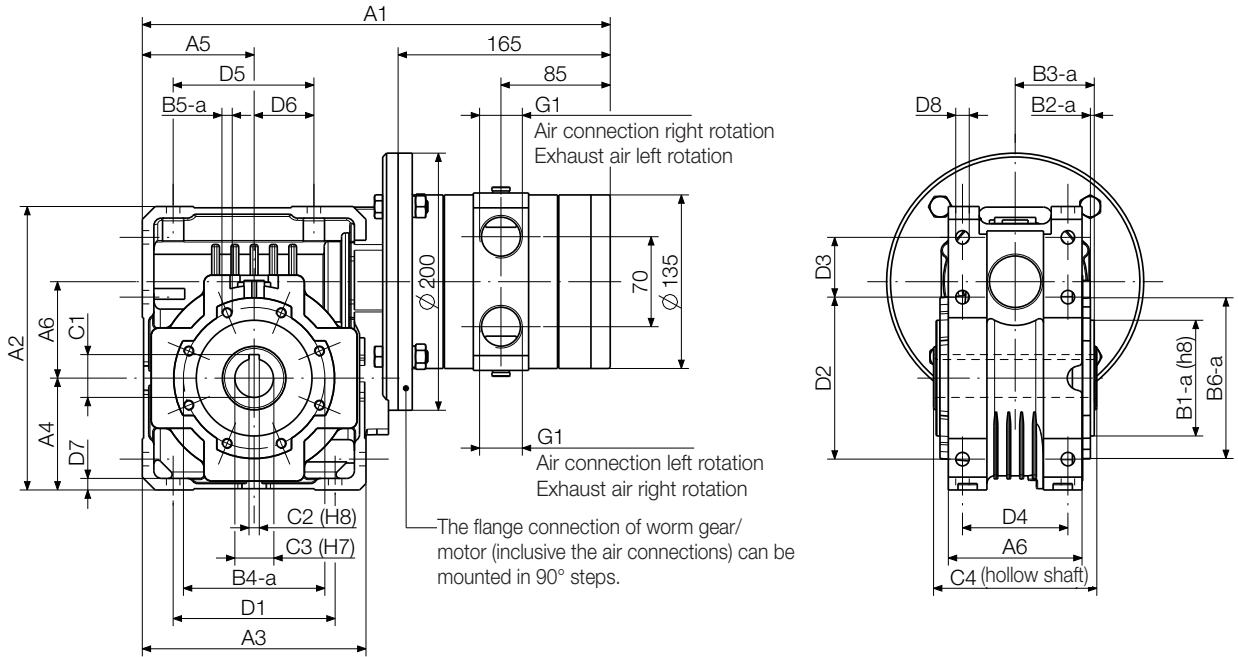
Using the universal mounting the motor can be fixed flexibly. As well as direct mounting, indirect mounting via a flange (F/FC) is also possible.

Optional equipment		
Spare parts kit	Part no.	445035B
Spare parts kit	Part no.	see on page 39

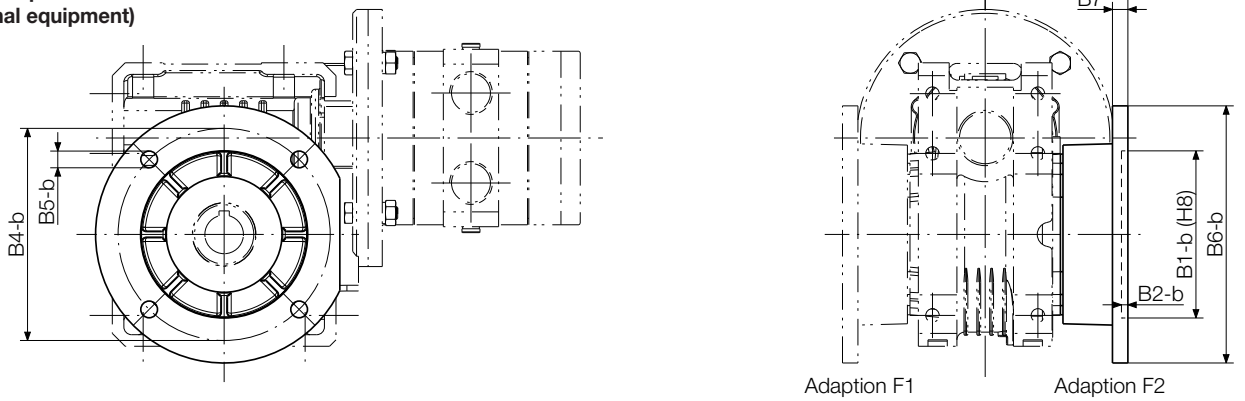
Motor size 13																			
Type	Dimensions (mm)																		
	A1	A2	A3	A4	A5	A6	B1-a	B1-b	B2-a	B2-b	B3-a	B3-b	B3-c	B4-a	B4-b	B5-a	B5-b	B6-a	B6-b
68-W010U	364	220.5	174	87	87	75	90	130	3	5	61.5	111	85	110	165	M8x14	12.5	125	200
68-W023U	433	308	250	125	125	110.1	130	170	3.5	12	76.5	179.5	131.5	165	230	M12x19	13	200	280
68-W040U																			
	B7	C1	C2	C3	C4	D1	D2	D3	D4	D5	D6	D7	D8						
68-W010U	12	33.3	8	30	127	126	126	46.5	82	109.5	46.5	9	10.5						
68-W023U	20	45.3	12	42	155	184	184	58	115	174	82	14	14						
68-W040U																			

▶ <b>Spindle designs</b> on page 39	▶ <b>Permissible radial and axial forces</b> on page 39	▶ <b>Flange designs F/FC</b> on page 39	▶ <b>Silencer</b> on page 40
▶ <b>Maintenance unit</b> on page 41	▶ <b>Model number description</b> on page 42		

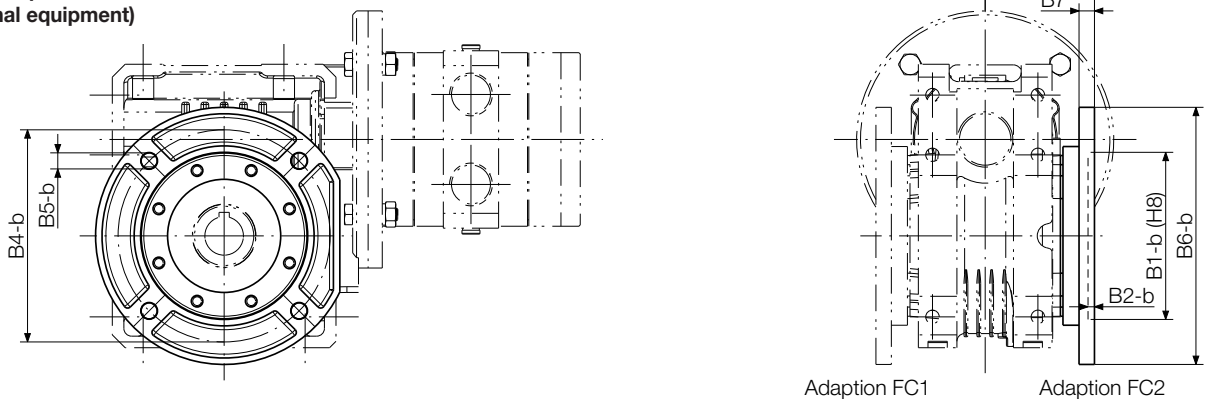
**Standard design without flange**  
i.e. 68-W010U-OB3-13



**Flange F**  
Adaption possible on both sides  
(optional equipment)



**Flange FC**  
Adaption possible on both sides  
(optional equipment)



Dimensions in mm

P107384

## 5 kW POWER LINE motors with worm gears

The motors in this design series can be operated in either right- or left rotation. Alternatively, the motor can also be reversed by two external 3/2-way valves or one 5/3-way valve.

Motor size 13 with worm gear		Flange motor	Bracket motor
Motor, reversible	<b>Type</b> Part no.	<b>68-W090F1-...-13</b> 102933A-F <sup>1)</sup> <b>68-W090F2-...-13</b> 102933G-M <sup>1)</sup>	<b>68-W090KA-...-13</b> 102935A-F <sup>1)</sup>
Nominal power	kW / HP	5.0 / 6.7	5.0 / 6.7
Nominal speed	rpm	37	37
Speed (idling)	rpm	55 <sup>2)</sup>	55 <sup>2)</sup>
Nominal torque	Nm / in.lbs	980 / 8673	980 / 8673
Start torque min.	Nm / in.lbs	930 / 8230	930 / 8230
Air consumption	m <sup>3</sup> /min / cfm	5.8 / 204.7	5.8 / 204.7
Weight	kg / lbs	79 / 173.8	79 / 173.8
Hose I.D., supply air/exhaust air	mm / in.	25/ <sup>63</sup> / <sub>64</sub> / 32/ <sup>17</sup> / <sub>64</sub>	25/ <sup>63</sup> / <sub>64</sub> / 32/ <sup>17</sup> / <sub>64</sub>
Gear type		WR130F	WR130A
Max. gear torque for permanent load	Nm / in.lbs	1250 / 11062	1250 / 11062

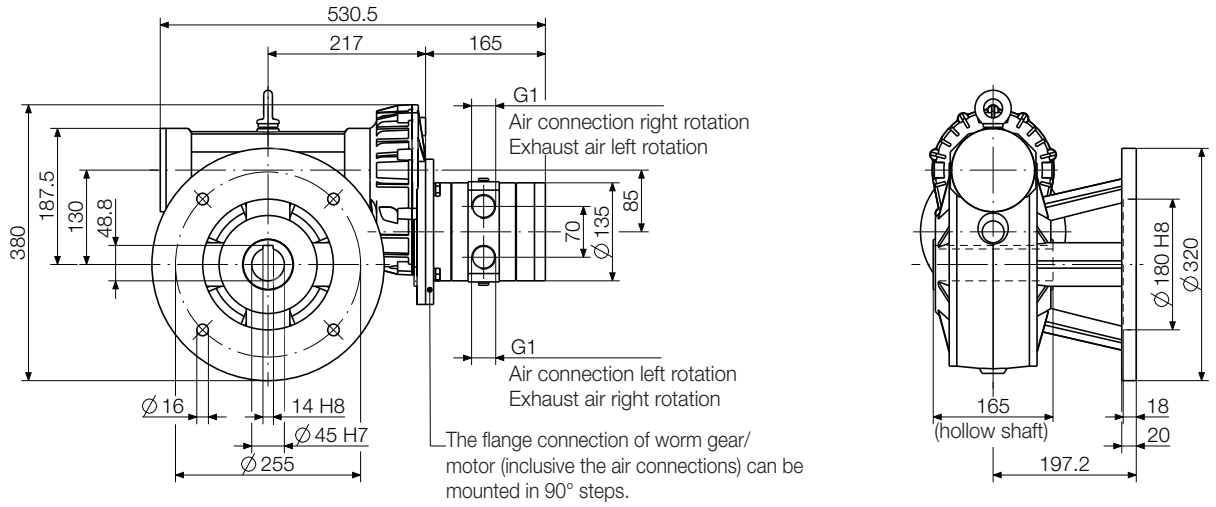
Performance data relate to an air pressure of 6 bar (85 PSI) and lubricated air

<sup>1)</sup> F1: A / B / C / D / E / F = mounting position 0B3 / 0B6 / 0B7 / 0B8 / 0V5 / 0V6  
 F2: G / H / I / K / L / M = mounting position 0B3 / 0B6 / 0B7 / 0B8 / 0V5 / 0V6  
 (Example: mounting position 0B6 = Part no. XXXXXX B)  
<sup>2)</sup> max. admissible speed (idling)

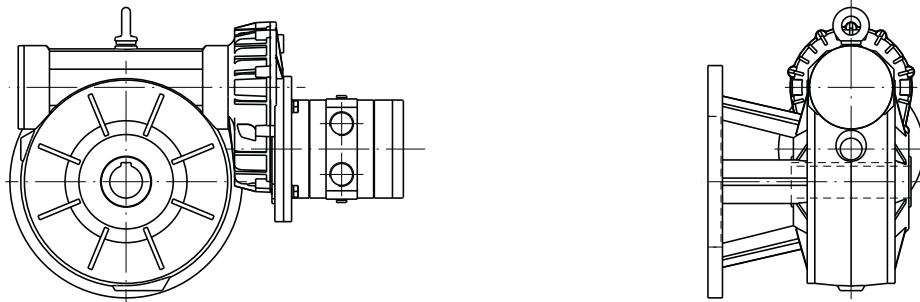
Optional equipment		
Spare parts kit	Part no.	445035B

▶ <b>Mounting positions</b> on page 36	▶ <b>Permissible radial and axial forces</b> on page 39	▶ <b>Spindle designs</b> on page 39	▶ <b>Silencer</b> on page 40
▶ <b>Maintenance unit</b> on page 41	▶ <b>Model number description</b> on page 42		

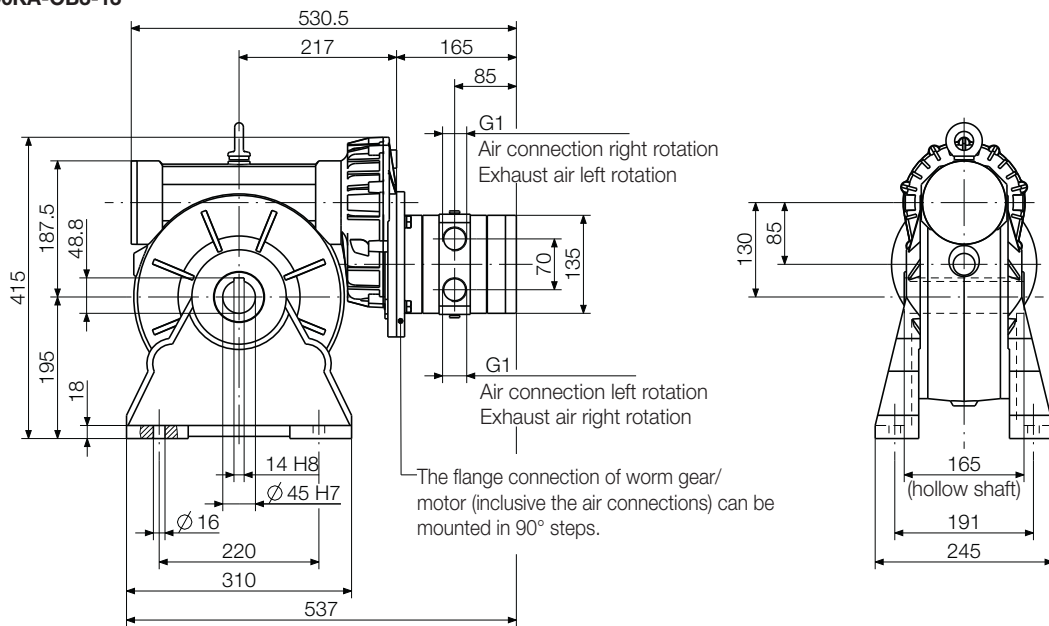
**Design with flange F2**  
i.e. 68-W090F2-OB3-13



**Design with flange F1**  
i.e. 68-W090F1-OB3-13



**Design with bracket**  
i.e. 68-W090KA-OB3-13





## 5 kW POWER LINE motors with spur gears

The motors in this design series can be operated in either right- or left rotation. Alternatively, the motor can also be reversed by two external 3/2-way valves or one 5/3-way valve.

Motor size 13 with spur gear		Flange motor					
Motor, reversible	Type	68-S005 F-...-13	68-S010 F-...-13	68-S020 F-...-13	68-S040 F-...-13	68-S083 F-...-13	68-S169 F-...-13
	Part no.	444891A-C <sup>1)</sup>	444892A-C <sup>1)</sup>	444893A-C <sup>1)</sup>	444894A-C <sup>1)</sup>	444895A-C <sup>1)</sup>	444896A-C <sup>1)</sup>
Nominal power	kW / HP	5.0 / 6.7	5.0 / 6.7	5.0 / 6.7	5.0 / 6.7	5.0 / 6.7	5.0 / 6.7
Nominal speed	rpm	625	310	150	74	36	18
Speed (idling)	rpm	1050 <sup>2)</sup>	520 <sup>2)</sup>	250 <sup>2)</sup>	125 <sup>2)</sup>	60 <sup>2)</sup>	30 <sup>2)</sup>
Nominal torque	Nm / in.lbs	72 / 637.2	146 / 1292	302 / 2673	612 / 5416	1230 / 10885	2460 / 21771
Start torque min.	Nm / in.lbs	108 / 956	220 / 1947	450 / 3982	920 / 8142	1850 / 16372	3700 / 32745
Permissible radial force max.	N / lbs	1370 / 307	2580 / 578	3880 / 869	8870 / 1987	14500 / 3248	35000 / 7840
Permissible axial force max.	N / lbs	274 / 61	516 / 116	776 / 174	1770 / 396	2900 / 650	7000 / 1568
Air consumption	m <sup>3</sup> /min / cfm	5.8 / 204.7	5.8 / 204.7	5.8 / 204.7	5.8 / 204.7	5.8 / 204.7	5.8 / 204.7
Weight	kg / lbs	24.6 / 54	27 / 59.4	46 / 101.2	67.2 / 147.8	82.5 / 181.5	164 / 360.8
Hose I.D., supply air/exhaust air	mm / in.	25 <sup>63</sup> / <sub>64</sub> / 32 <sup>117</sup> / <sub>64</sub>	25 <sup>63</sup> / <sub>64</sub> / 32 <sup>117</sup> / <sub>64</sub>	25 <sup>63</sup> / <sub>64</sub> / 32 <sup>117</sup> / <sub>64</sub>	25 <sup>63</sup> / <sub>64</sub> / 32 <sup>117</sup> / <sub>64</sub>	25 <sup>63</sup> / <sub>64</sub> / 32 <sup>117</sup> / <sub>64</sub>	25 <sup>63</sup> / <sub>64</sub> / 32 <sup>117</sup> / <sub>64</sub>
Gear type		S222F	S322F	S412F	S512F	S613F	S803F
Max. gear torque for permanent load	Nm / in.lbs	80 / 708	175 / 1549	385 / 3407	795 / 7036	1600 / 14160	4000 / 35400

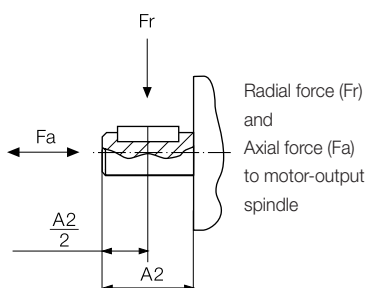
Performance data relate to an air pressure of 6 bar (85 PSI) and lubricated air

<sup>1)</sup> A / B / C = mounting position 0B5 / 0V1 / 0V3  
(Example: mounting position 0V1 = Part no. XXXXXX B)  
<sup>2)</sup> max. admissible speed (idling)

Motor size 13 with spur gear		Bracket motor					
Motor, reversible	Type	68-S005 K-...-13	68-S010 K-...-13	68-S020 K-...-13	68-S040 K-...-13	68-S083 K-...-13	68-S169 K-...-13
	Part no.	444897A-F <sup>1)</sup>	444898A-F <sup>1)</sup>	444899A-F <sup>1)</sup>	444900A-F <sup>1)</sup>	444901A-F <sup>1)</sup>	444902A-F <sup>1)</sup>
Nominal power	kW / HP	5.0 / 6.7	5.0 / 6.7	5.0 / 6.7	5.0 / 6.7	5.0 / 6.7	5.0 / 6.7
Nominal speed	rpm	625	310	150	74	36	18
Speed (idling)	rpm	1050 <sup>2)</sup>	520 <sup>2)</sup>	250 <sup>2)</sup>	125 <sup>2)</sup>	60 <sup>2)</sup>	30 <sup>2)</sup>
Nominal torque	Nm / in.lbs	72 / 637.2	146 / 1292	302 / 2673	612 / 5416	1230 / 10885	2460 / 21771
Start torque min.	Nm / in.lbs	108 / 956	220 / 1947	450 / 3982	920 / 8142	1850 / 16372	3700 / 32745
Permissible radial force max.	N / lbs	1370 / 307	2580 / 578	3880 / 869	8870 / 1987	14500 / 3248	35000 / 7840
Permissible axial force max.	N / lbs	274 / 61	516 / 116	776 / 174	1770 / 396	2900 / 650	7000 / 1568
Air consumption	m <sup>3</sup> /min / cfm	5.8 / 204.7	5.8 / 204.7	5.8 / 204.7	5.8 / 204.7	5.8 / 204.7	5.8 / 204.7
Weight	kg / lbs	24.6 / 54	27 / 59.4	46 / 101.2	67.2 / 147.8	82.5 / 181.5	164 / 360.8
Hose I.D., supply air/exhaust air	mm / in.	25 <sup>63</sup> / <sub>64</sub> / 32 <sup>117</sup> / <sub>64</sub>	25 <sup>63</sup> / <sub>64</sub> / 32 <sup>117</sup> / <sub>64</sub>	25 <sup>63</sup> / <sub>64</sub> / 32 <sup>117</sup> / <sub>64</sub>	25 <sup>63</sup> / <sub>64</sub> / 32 <sup>117</sup> / <sub>64</sub>	25 <sup>63</sup> / <sub>64</sub> / 32 <sup>117</sup> / <sub>64</sub>	25 <sup>63</sup> / <sub>64</sub> / 32 <sup>117</sup> / <sub>64</sub>
Gear type		S222K	S322K	S412K	S512K	S613K	S803K
Max. gear torque for permanent load	Nm / in.lbs	80 / 708	175 / 1549	385 / 3407	795 / 7036	1600 / 14160	4000 / 35400

Performance data relate to an air pressure of 6 bar (85 PSI) and lubricated air

<sup>1)</sup> A / B / C / D / E / F = mounting position 0B3 / 0B6 / 0B7 / 0B8 / 0V5 / 0V6  
(Example: mounting position 0B7 = Part no. XXXXXX C)  
<sup>2)</sup> max. admissible speed (idling)



### Optional equipment

Spare parts kit	Part no.	445035B
-----------------	----------	---------

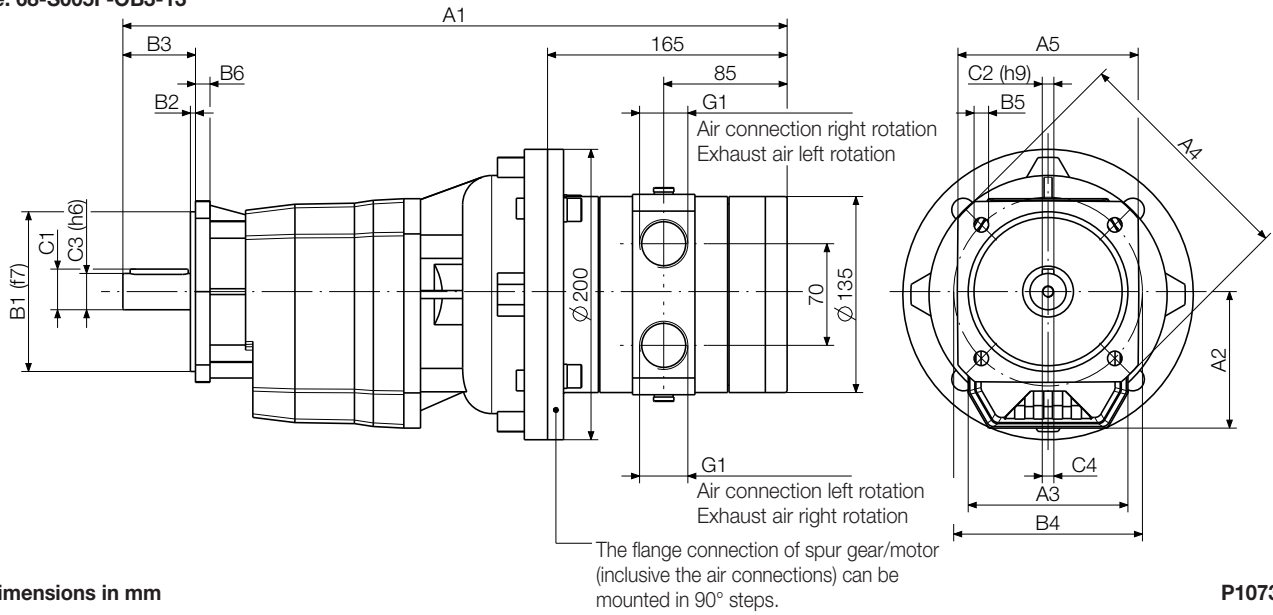
▶ **Mounting positions**  
on page 37

▶ **Silencer**  
on page 40

▶ **Maintenance unit**  
on page 41

▶ **Model number description**  
on page 42

**Flange motor**  
i.e. 68-S005F-OB3-13



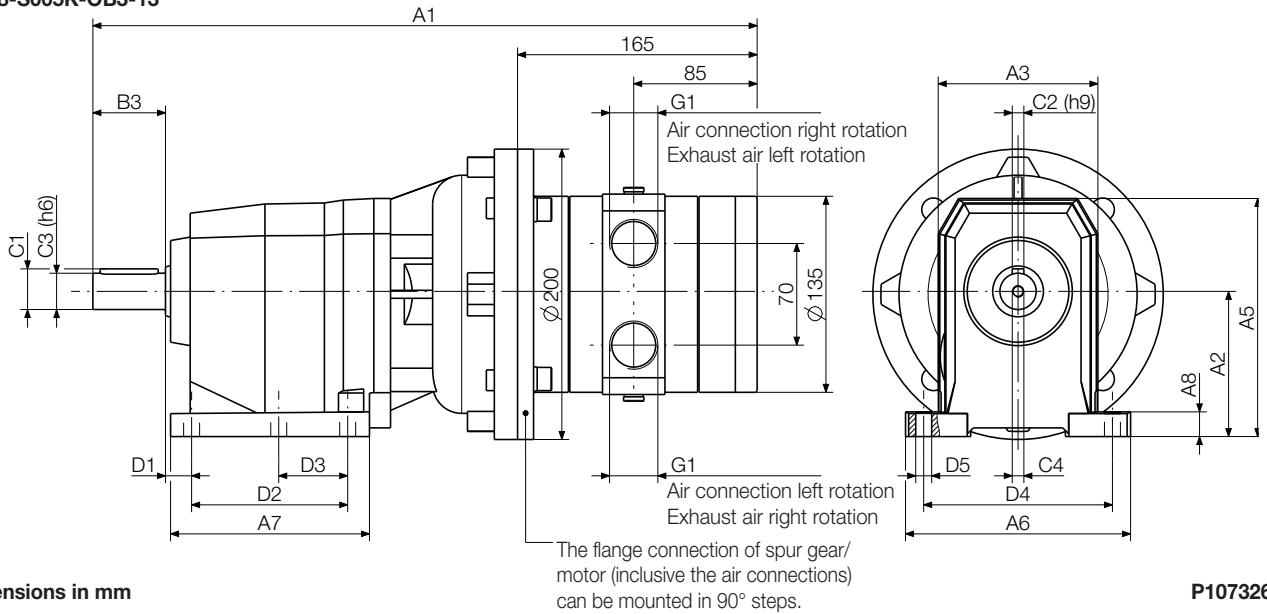
Dimensions in mm

P107326

**Motor size 13**

Type	Dimensions flange motor (mm)														
	A1	A2	A3	A4	A5	B1	B2	B3	B4	B5	B6	C1	C2	C3	C4
68-S005	458	94	110	160	□110	110	3.5	50	130	9.5	10	28	8	25	M8x19
68-S010	492	108	130	200	□150	130	3.5	60	165	11.5	12	33		30	M10x22
68-S020	521	128	155	250		180	4	70	215	14	13	38	10	35	M12x28
68-S040	547	152	185	300	-	230	4	80	265	14	16	43	12	40	M12x28
68-S083	600	178.5	210	350		250	5	100	300	18	18	53.5	14	50	M16x36
68-S169	698	247	320	400	□350	300	5	140	350	18	20	85	22	80	M20x42

**Bracket motor**  
i.e. 68-S005K-OB3-13



Dimensions in mm

P107326

**Motor size 13**

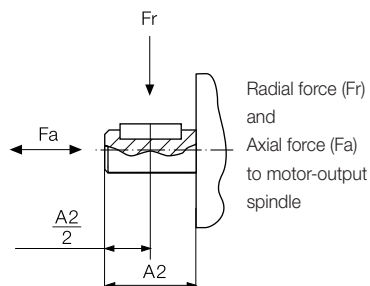
Type	Dimensions bracket motor (mm)																
	A1	A2	A3	A5	A6	A7	A8	B3	C1	C2	C3	C4	D1	D2	D3	D4	D5
68-S005	458	100	110	166	155	137	17	50	28	8	25	M8x19	18	107.5	47.5	130	
68-S010	492	110	130	181	190	156	20	60	33	8	30	M10x22	18	130	60	160	11
68-S020	521	130	155	223	216	185.5	18	70	38	10	35	M12x28	19.5	149.5	-	180	14
68-S040	547	155	185	278	270	200	22	80	43	12	40	M12x28	25	156	-	225	18
68-S083	600	195	210	316	300	232	25	100	53.5	14	50	M16x36	25	180	-	250	18
68-S169	698	250	320	420	440	277	35	140	85	22	80	M20x42	33	210	-	370	26

## 9 kW / 18 kW POWER LINE motors without gears

The motors in this design series can be operated in either right- or left rotation. Alternatively, the motor can also be reversed by two external 3/2-way valves or one 5/3-way valve.

Motor design without gearing		Flange motor	
Motor size		55	65
Motor, reversible	Type	<b>68-001F55/IEC112A</b>	<b>68-001F65/IEC112A</b>
	Part no.	444924A	103978A
Nominal power	kW / HP	9 / 12	18 / 24
Nominal speed	rpm	3000	3000
Speed (idling)	rpm	6000	6000
Nominal torque	Nm / in.lbs	28.6 / 253.1	57 / 504.5
Start torque min.	Nm / in.lbs	43 / 380.6	85 / 752.3
Permissible radial force max.	N / lbs	7500 / 1680	7500 / 1680
Permissible axial force max.	N / lbs	1100 / 246.4	1100 / 246.4
Air consumption	m <sup>3</sup> /min / cfm	10 / 353	20 / 706
Weight	kg / lbs	33 / 72.6	54 / 118.8
Hose I.D., supply air/exhaust air	mm / in.	25 <sup>63</sup> /64 / 32/117/64	43/1.68 / 63.5/2.48

Optional equipment		Motor size 55	Motor size 65
Bracket	Part no.	440648	440648
Spare parts kit	Part no.	440246C	440246B



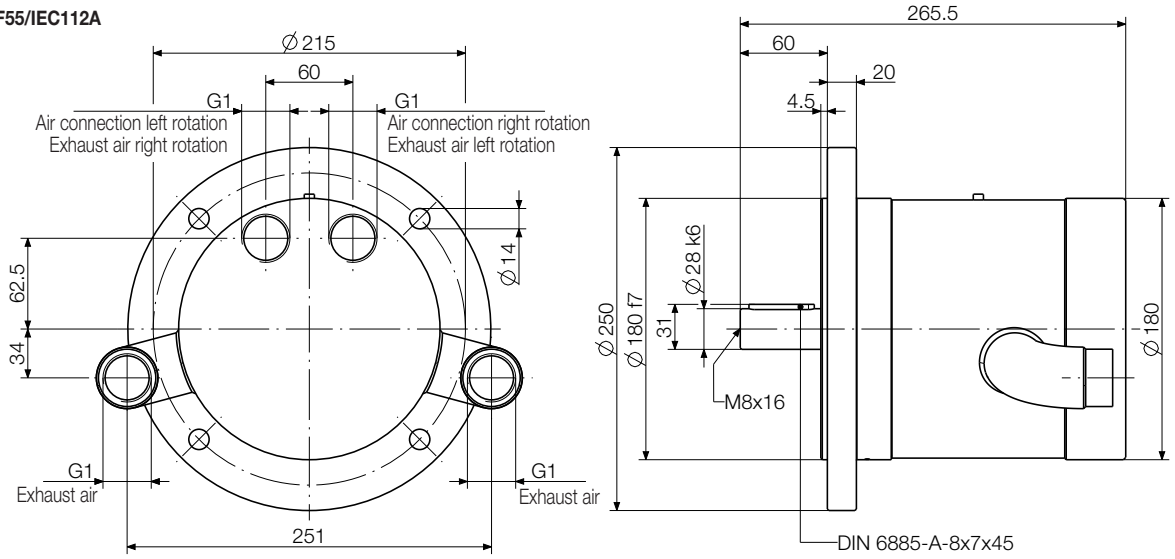
▶ **Mounting positions**  
on page 37

▶ **Silencer**  
on page 40

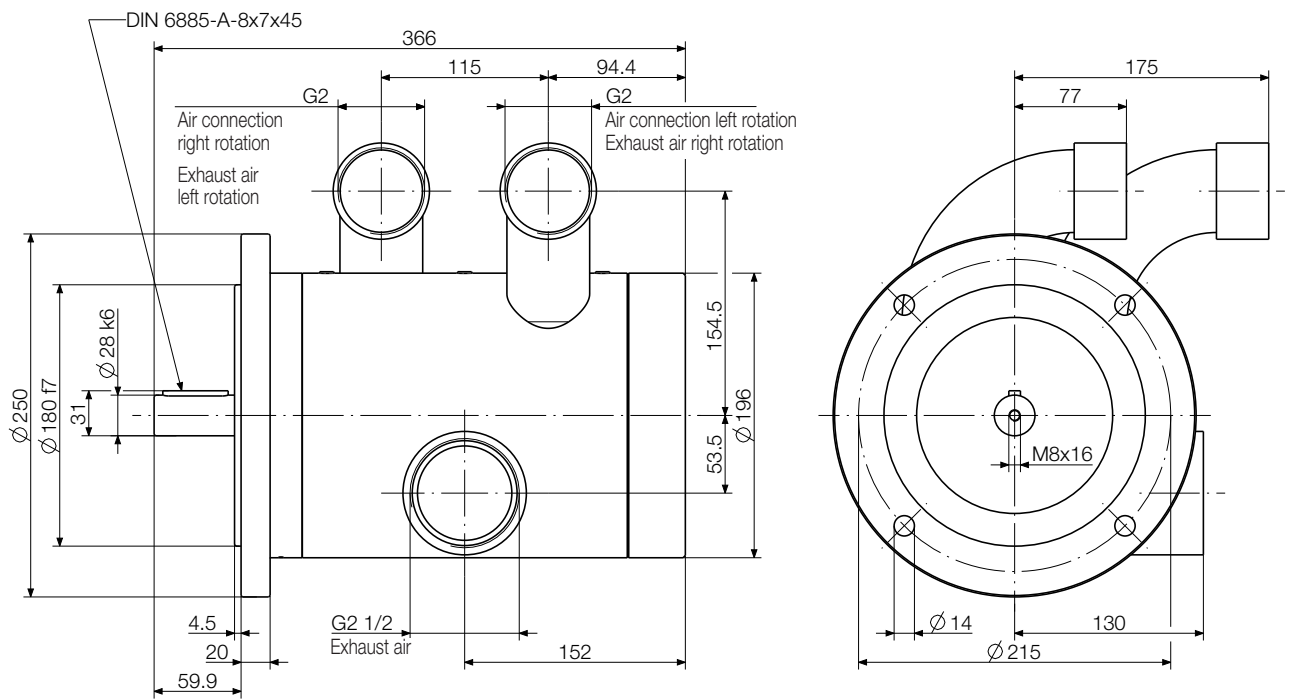
▶ **Maintenance unit**  
on page 41

▶ **Model number description** on page 42

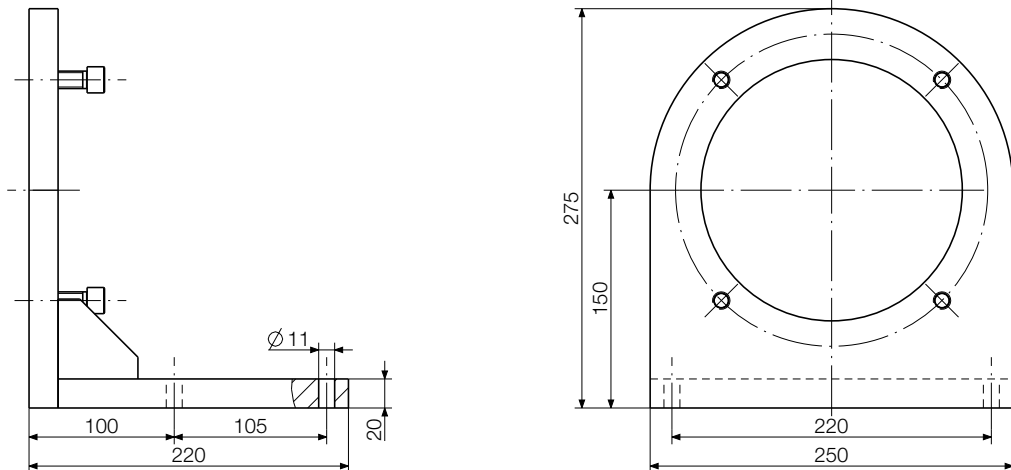
68-001F55/IEC112A



68-001F65/IEC112A



**Bracket**  
for motor size 55 and 65  
(optional equipment)



Dimensions in mm

P107142

## 1.9 kW / 3.3 kW / 4.6 kW POWER LINE motors with hand lever valve

The motors in this design series can be operated in either right- or left rotation. Reverse is initiated by the integrated hand lever. Additionally, these motors incorporate a higher power output, when compared with the same design series with 2 air connections.

Motor size 32		Flange motor				Bracket motor			
		without gearing	with planetary gear			without gearing	with planetary gear		
Motor, reversible by integrated hand lever	<b>Type</b> Part no.	<b>FM32SU</b> 441824A	<b>FM32LU</b> 441801A	<b>FM32LLUA</b> 441825A	<b>FM32LLUB</b> 441826A	<b>KM32SU</b> 441868A	<b>KM32LU</b> 441869A	<b>KM32LLUA</b> 441870A	<b>KM32LLUB</b> 441871A
Nominal power	kW / HP	1.9 / 2.5	1.9 / 2.5	1.9 / 2.5	1.9 / 2.5	1.9 / 2.5	1.9 / 2.5	1.9 / 2.5	1.9 / 2.5
Nominal speed	rpm	3400	340	170	100	3400	340	170	100
Speed (idling)	rpm	6800	680	340	200	6800	680	340	200
Nominal torque	Nm / in.lbs	5.3 / 47	53 / 469	107 / 947	181 / 1602	5.3 / 47	53 / 469	107 / 947	181 / 1602
Start torque min.	Nm / in.lbs	7.9 / 70	79 / 699	160 / 1416	271 / 2398	7.9 / 70	79 / 699	160 / 1416	271 / 2398
Air consumption	m <sup>3</sup> /min / cfm	1.9 / 67	1.9 / 67	1.9 / 67	1.9 / 67	1.9 / 67	1.9 / 67	1.9 / 67	1.9 / 67
Weight	kg / lbs	10 / 22	15 / 33	18 / 40	18 / 40	11 / 24	16 / 35	19 / 42	19 / 42
Hose I.D., supply air/exhaust air	mm / in.	15 <sup>5</sup> / <sub>8</sub> / 19 <sup>3</sup> / <sub>4</sub>				15 <sup>5</sup> / <sub>8</sub> / 19 <sup>3</sup> / <sub>4</sub>			

Performance data relate to an air pressure of 6 bar (85 PSI) and lubricated air

### Optional equipment

Spare parts kit	Part no.	104355A
-----------------	----------	---------

Motor size 50		Flange motor				Bracket motor			
		without gearing	with planetary gear			without gearing	with planetary gear		
Motor, reversible by integrated hand lever	<b>Type</b> Part no.	<b>FM50SU</b> 442135A	<b>FM50LU</b> 441828A	<b>FM50LLUA</b> 442103A	<b>FM50LLUB</b> 442104A	<b>KM50SU</b> 442140A	<b>KM50LU</b> 441873A	<b>KM50LLUA</b> 441874A	<b>KM50LLUB</b> 441875A
Nominal power	kW / HP	3.3 / 4.4	3.2 / 4.3	3.2 / 4.3	3.2 / 4.3	3.3 / 4.4	3.2 / 4.3	3.2 / 4.3	3.2 / 4.3
Nominal speed	rpm	3000	240	100	75	3000	240	100	75
Speed (idling)	rpm	6000	480	200	150	6000	480	200	150
Nominal torque	Nm / in.lbs	10 / 88	127 / 1124	305 / 2699	407 / 3602	10 / 88	127 / 1124	305 / 2699	407 / 3602
Start torque min.	Nm / in.lbs	15 / 133	190 / 1681	458 / 4053	610 / 5398	15 / 133	190 / 1681	458 / 4053	610 / 5398
Air consumption	m <sup>3</sup> /min / cfm	3.6 / 127	3.6 / 127	3.6 / 127	3.6 / 127	3.6 / 127	3.6 / 127	3.6 / 127	3.6 / 127
Weight	kg / lbs	15 / 33	20 / 44	23 / 51	23 / 51	16 / 35	21 / 46	25 / 55	25 / 55
Hose I.D., supply air/exhaust air	mm / in.	19 <sup>3</sup> / <sub>4</sub> / 25 <sup>63</sup> / <sub>64</sub>				19 <sup>3</sup> / <sub>4</sub> / 25 <sup>63</sup> / <sub>64</sub>			

Performance data relate to an air pressure of 6 bar (85 PSI) and lubricated air

### Optional equipment

Spare parts kit	Part no.	104355B
-----------------	----------	---------

Motor size 52		Flange motor				Bracket motor			
		without gearing	with planetary gear			without gearing	with planetary gear		
Motor, reversible by integrated hand lever	<b>Type</b> Part no.	<b>FM52SU</b> 441741A	<b>FM52LU</b> 441831A	<b>FM52LLUA</b> 442105A	<b>FM52LLUB</b> 442106A	<b>KM52SU</b> 441876A	<b>KM52LU</b> 441877A	<b>KM52LLUA</b> 441878A	<b>KM52LLUB</b> 441879A
Nominal power	kW / HP	4.6 / 6.2	4.5 / 6.0	4.5 / 6.0	4.5 / 6.0	4.6 / 6.2	4.5 / 6.0	4.5 / 6.0	4.5 / 6.0
Nominal speed	rpm	2800	240	100	75	2800	240	100	75
Speed (idling)	rpm	5600	480	200	150	5600	480	200	150
Nominal torque	Nm / in.lbs	16 / 142	180 / 1593	430 / 3805	573 / 5071	16 / 142	180 / 1593	430 / 3805	573 / 5071
Start torque min.	Nm / in.lbs	24 / 212	270 / 2389	645 / 5708	860 / 7611	24 / 212	270 / 2389	645 / 5708	860 / 7611
Air consumption	m <sup>3</sup> /min / cfm	5 / 176	5 / 176	5 / 176	5 / 176	5 / 176	5 / 176	5 / 176	5 / 176
Weight	kg / lbs	17 / 37	22 / 48	25 / 55	25 / 55	18 / 40	23 / 51	27 / 59	27 / 59
Hose I.D., supply air/exhaust air	mm / in.	25 <sup>63</sup> / <sub>64</sub> / 32 <sup>117</sup> / <sub>64</sub>				25 <sup>63</sup> / <sub>64</sub> / 32 <sup>117</sup> / <sub>64</sub>			

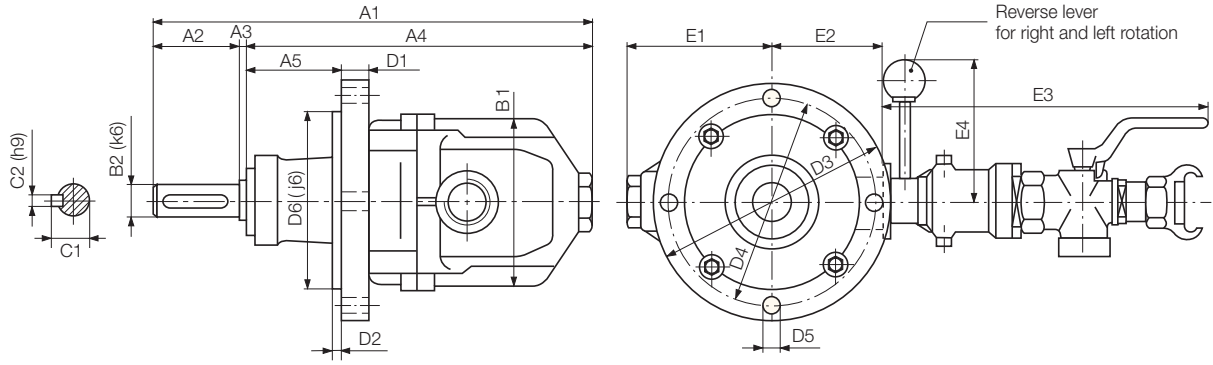
Performance data relate to an air pressure of 6 bar (85 PSI) and lubricated air

### Optional equipment

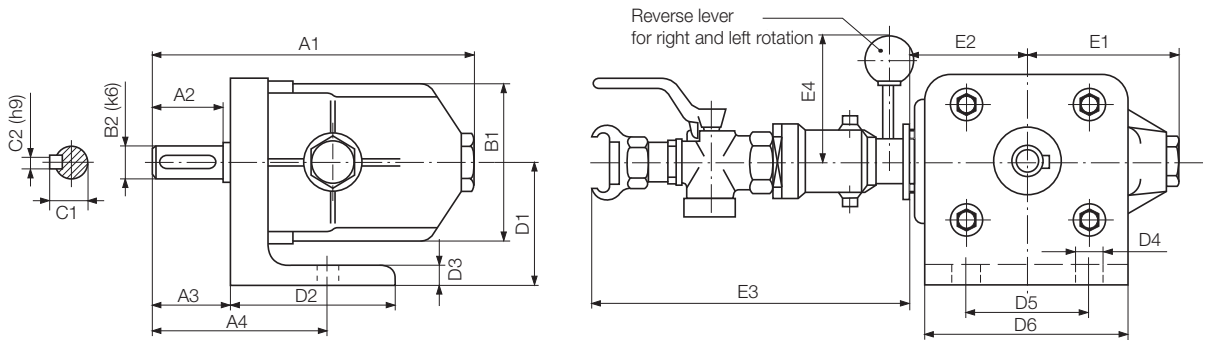
Spare parts kit	Part no.	104355C
-----------------	----------	---------

► **Maintenance unit**  
on page 41

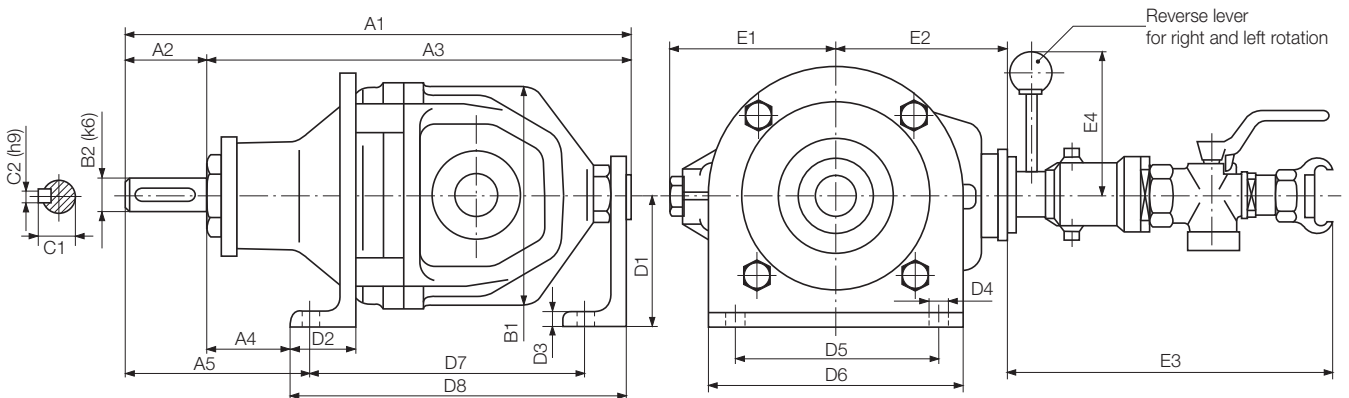
► **Model number description**  
on page 42



Motor size	Type	Dimensions flange motor (mm)																			
		A1	A2	A3	A4	A5	B1	B2	C1	C2	D1	D2	D3	D4	D5	D6	E1	E2	E3	E4	
32	FM32SU	200		3	147	4						4									
	FM32LU	289	50	2	237	64	132	25	27.9				190	160		138	110	118			
	FM32LLUA/B	371		2	319	105				8											
50	FM50SU	245		3	182	5															
	FM50LU	367		-	307	96		35	38.3	10	22	5		14					295	140	
	FM50LLUA/B	437	60	-	377	114	158	40	43.1	12											
52	FM52SU	266		3	203	5		30	32.9	8			220	195		165	108	130			
	FM52LU	388		-	328	96		35	38.3	10											
	FM52LLUA/B	458		-	398	114		40	43.1	12											



Motor size	Type	Dimensions bracket motor (mm)																		
		A1	A2	A3	A4	B1	B2	C1	C2	D1	D2	D3	D4	D5	D6	E1	E2	E3	E4	
32	KM32SU	200	50	53	118	132	25	27.9		105	115			90	150	110	118			
50	KM50SU	245							8	120	130	13	14	116	182	108	130	295	140	
52	KM52SU	264	60	63	143	158	30	32.9												

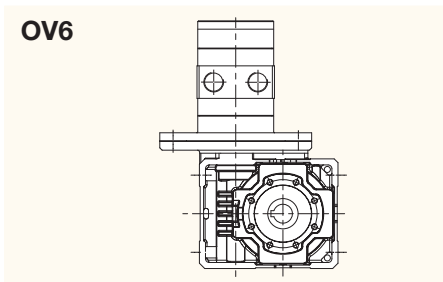
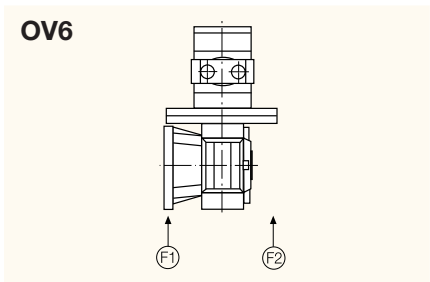
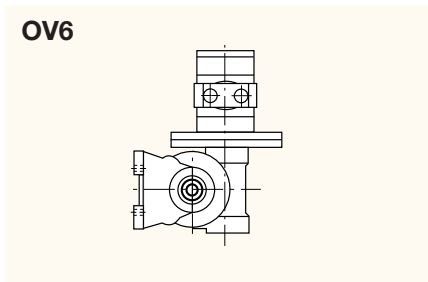
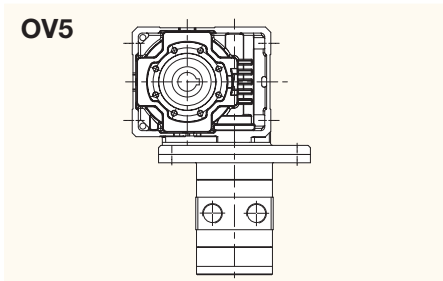
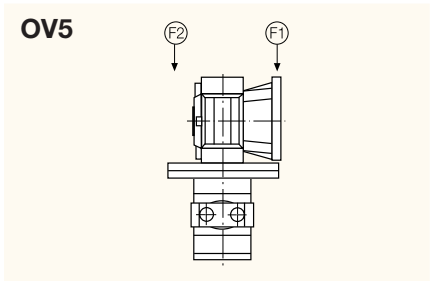
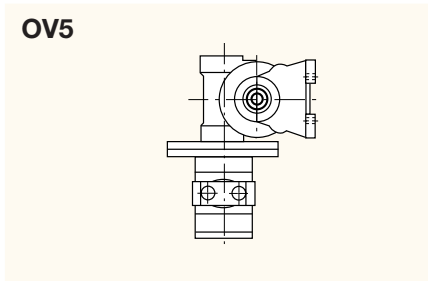
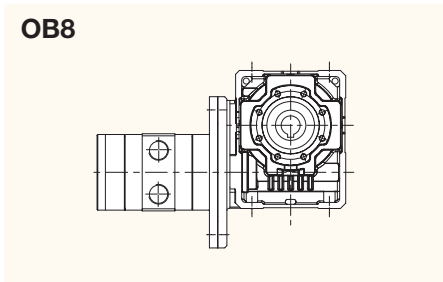
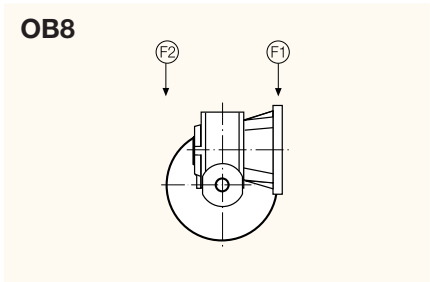
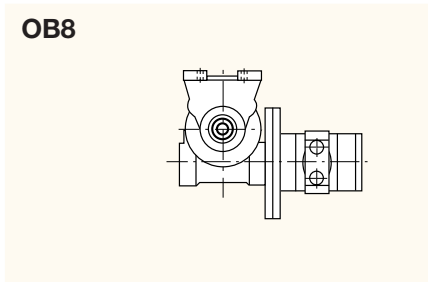
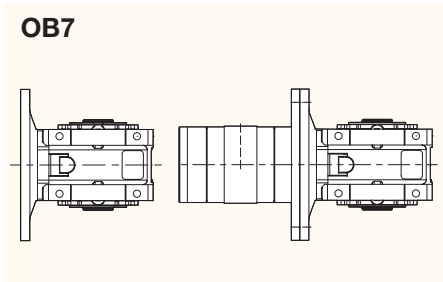
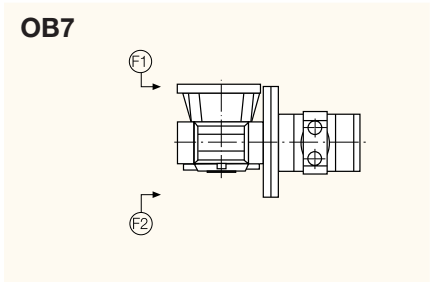
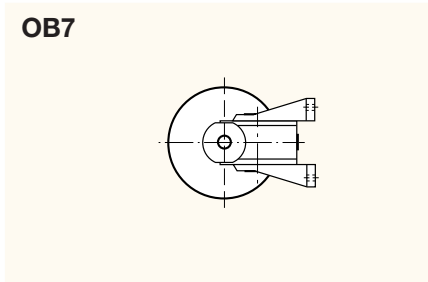
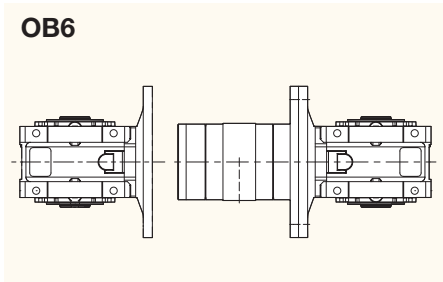
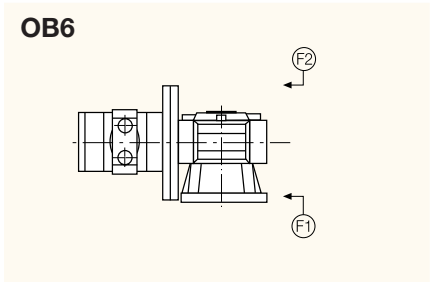
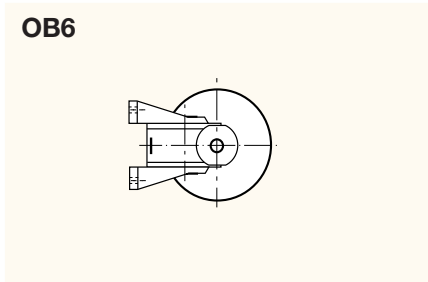
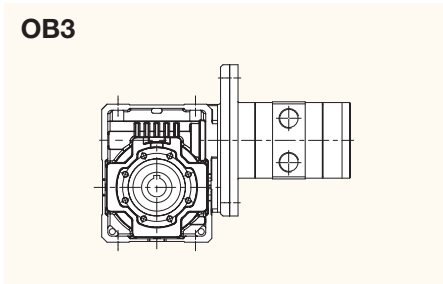
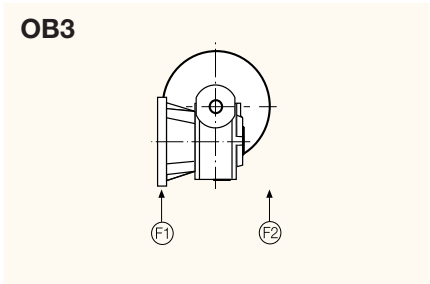
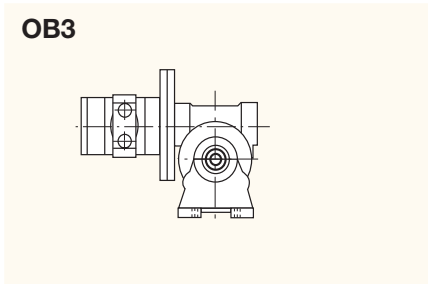


Motor size	Type	Dimensions bracket motor (mm)																			
		A1	A2	A3	A4	A5	B1	B2	C1	C2	D1	D2	D3	D4	D5	D6	D7	D8	E1	E2	E3
32	KM32LU	306	50	255	41	106	132	25	27.9	8	93			120	160	163	213	110	118		
	KM32LLUA/B	386		336	74	139		30	32.9			50		210	260	254	108				
	KM50LU	384		324	66	141		35	38.3	10			13	13	150	190	204	254	108		
50	KM50LLUA/B	454	60	394	32	122	161	40	43.1	12	100	45		120	160	264	359	115	131	295	140
	KM52LU	406		346	66	141		35	38.3	10		50		150	190	226	276	108			
52	KM52LLUA/B	474		414	32	122		40	43.1	12		45		120	160	284	379	115			

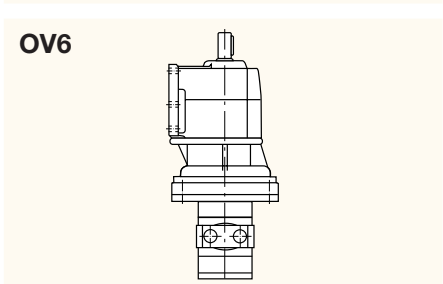
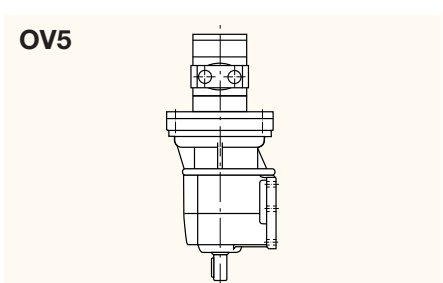
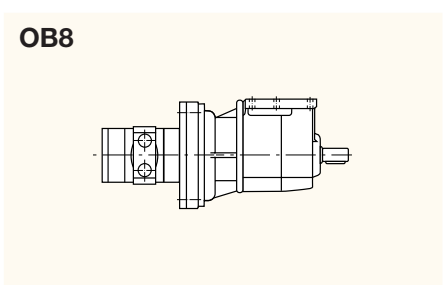
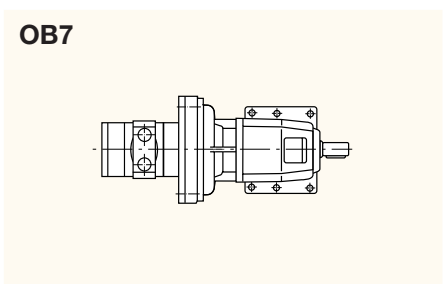
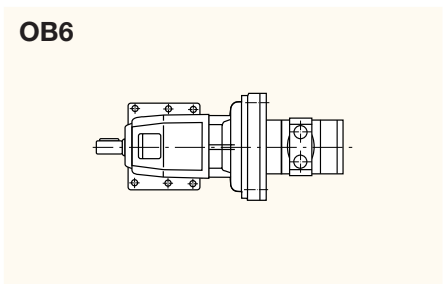
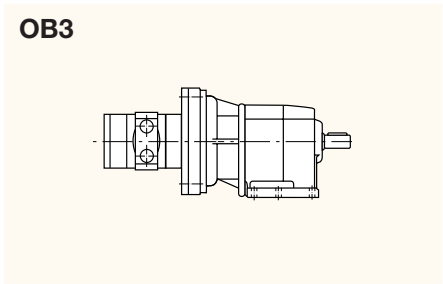
**Bracket motor**

**Flange motor**  
Flange layout - (F1) / (F2)

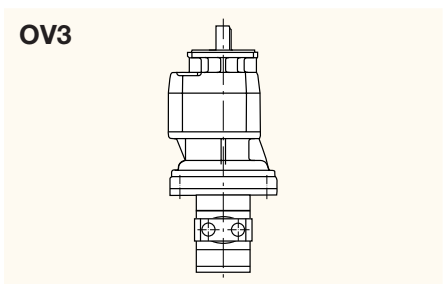
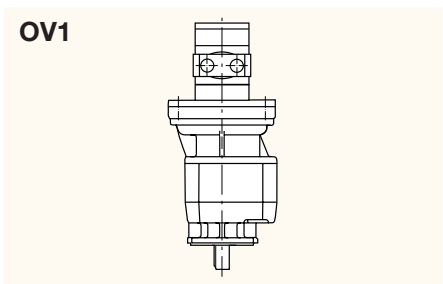
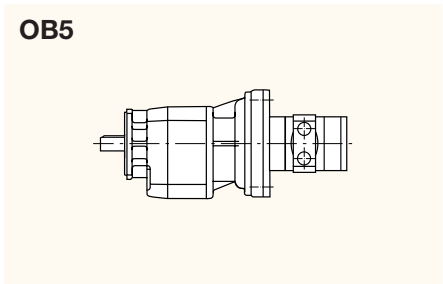
**Universal mounting**



## Bracket motor



## Flange motor





**Holding brake**

Our holding brakes are designed for the motors 68X-...F09, 68X-...F11 and 68X-...F13 and can be ordered fully mounted together with the motors.

In addition the holding brake is also suitable for upgrading.

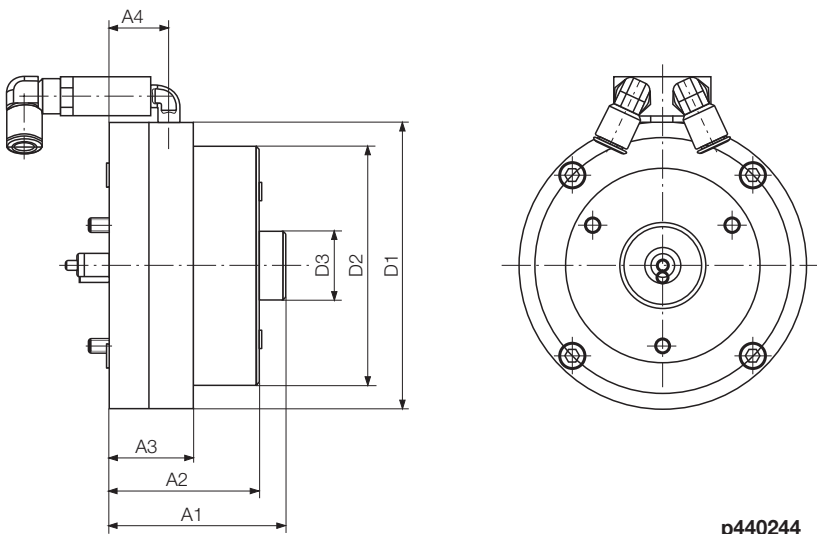
We can carry out this upgrade for you on request.

Appropriate for each motor	Type	68X-...F09	68X-...F11	68X-...F13
Holding brake	Part no.	445709B	446196A	446062A

\*) The holding brake is not designed for use with a different drive system. Please only use it in combination with the stated motor types.

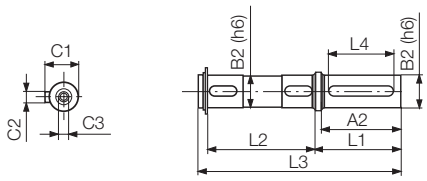
The braking torque is generally double the nominal torque.

If you are interested in an ATEX conform system please contact us.



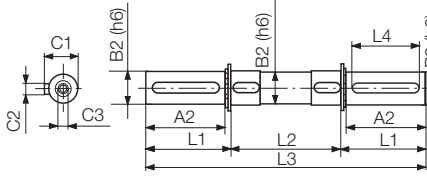
Type	Dimensions of braking device (mm)						
	A1	A2	A3	A4	D1	D2	D3
M9U	72.5	61.5	34.5	24.5	118	98	28
M11U	107	98	43.5	35.5	190	162	28
M13U							

Drive spindle options for motors with worm gears



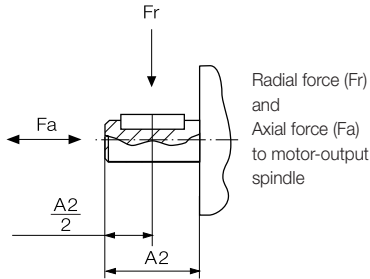
**Spindle for motors with worm gears**

Part no.	for hollow shaft mm	Radial force max. N / lbs.	Axial force max. N	Dimensions (mm)									
				A2	B2	C1	C2	C3	L1	L2	L3	L4	
824328	Ø25 x 82	3450/770	690/150	60	25	28	8	M8	65	82	154	50	W49
824329	Ø25 x 120	5000/1120	1000/224							120	192		W63
107573	Ø30 x 127	6200/1389	1240/278							64	127		199
824330	Ø35 x 140	7000/1560	1400/310	75	35	38	10	M10	65	140	214	W86	
824331	Ø42 x 155	8000/1790	1600/355						80	155	244	60	W110
824332	Ø45 x 165	13800/3090	2760/615	80	45	48.5	12	M12	85	165	261	70	W130

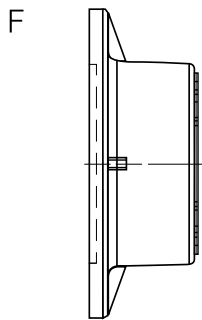


**Spindle for motors with worm gears**

Part no.	for hollow shaft mm	Radial force max. N / lbs.	Axial force max. N	Dimensions (mm)									
				A2	B2	C1	C2	C3	L1	L2	L3	L4	
824333	Ø25 x 82	3450/770	690/150	60	25	28	8	M8	63.2	82	208.4	50	W49
824334	Ø25 x 120	5000/1120	1000/224						120	246.4	W63		
823122	Ø30 x 127	6200/1389	1240/278						64	127	255		W75
824335	Ø35 x 140	7000/1560	1400/310	75	35	38	10	M10	64	140	268	60	W86
824336	Ø42 x 155	8000/1790	1600/355						79.2	155	313.5		W110
824337	Ø45 x 165	13800/3090	2760/615	80	45	48.5	14	M12	84.7	165	334.5	70	W130

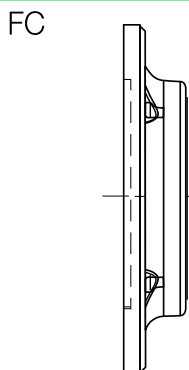


Flange design for motors with worm gears



Flange for motors with worm gears

Type of gearing	Part no.
W63U	830929
W75U	834335
W86U	830931
W110U	830934

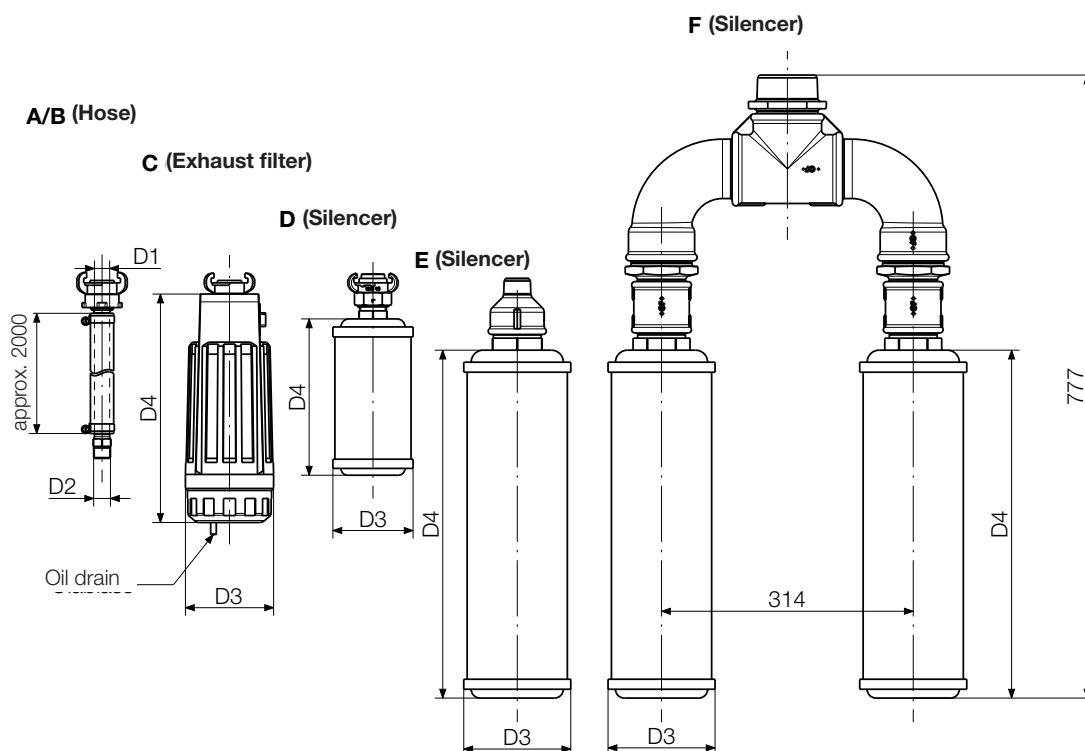


Flange for motors with worm gears

Type of gearing	Part no.
W63U	830930
W75U	106042
W86U	830932
W110U	830935

## Set of Silencers (including mounting set according below table)

Suitable for	Motor size	9	11	13	15	55	65
Hose set (supply air/exhaust air hose), length 2 m motor is reversible (right and left rotation)	Part no.	310740A	310741A	310742A	310742A	-	-
motor operates in one direction (right or left rotation)	Part no.	310740D	310741D	310742D	310742D	-	-
Noise level	dB(A)	124.7	122.8	119.2	122.1	123	-
Exhaust filter including air supply/exhaust hose motor operates in one direction (right or left rotation)	Part no.	310740B	310741B	-	-	-	-
Noise level	dB(A)	88.1	90	-	-	-	-
Silencer including air supply/exhaust hose motor operates in one direction (right or left rotation)	Part no.	310740C	310741C	310742C	310742C	-	-
Noise level	dB(A)	89.9	93.8	90.5	91.9	-	-
Set of Silencers (including mounting set according below table) motor operates in one direction (right or left rotation)	Part no.	-	-	-	-	440615C	440614A
motor is reversible (right and left rotation)	Part no.	-	-	-	-	440615B	440614B
Noise level	dB(A)	-	-	-	-	106	120



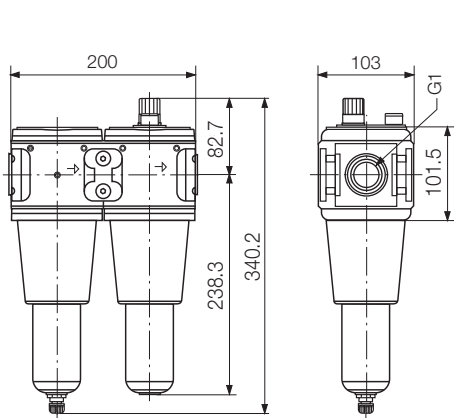
Dimensions in mm

P107521

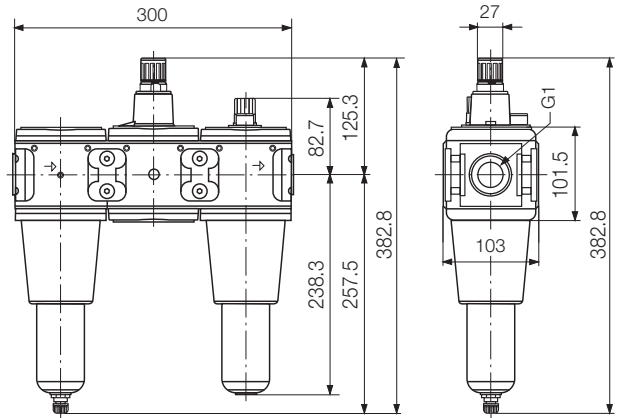
Part no.	Contained	A (Supply air)		B (Exhaust air)		C/D/E/F	
		D1	D2	D1	D2	D3	D4
310740A	A, B	19				-	-
310740B	A, B, C		G $\frac{1}{2}$	19	G $\frac{1}{2}$	110	285
310740C	A, B, D	15				100	195
310740D	A, B					-	-
310741A	A, B	25				-	-
310741B	A, B, C		G $\frac{3}{4}$	25	G $\frac{3}{4}$	110	285
310741C	A, B, D	19				100	195
310741D	A, B					-	-
310742A	A, B	32				-	-
310742C	A, B, E	25	G1	32	G1	134	434
310742D	A, B					-	-
440615C	3xE	25	G1	32	G1	134	434
440615B	2xE						
440614B	F	43	G2	-	G 2 $\frac{1}{2}$		
440614A	E, F				G2; G 2 $\frac{1}{2}$		

**Maintenance unit consisting of filter, oiler and double nipple** - alternatively available with or without pressure regulator  
**Pressure regulation valve with manometer**

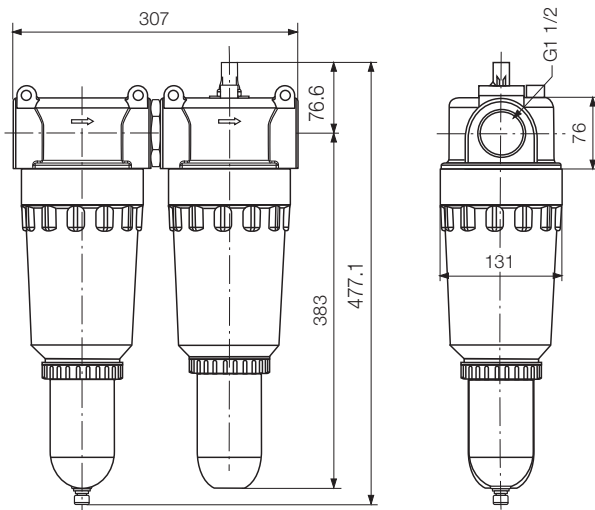
Suitable for Motor size (MG) Type of motor	Part no. Maintenance unit without pressure regulator	Part no. Maintenance unit with pressure regulator	Part no. Pressure regulation valve with manometer	Thread size	Regulation range
MG9 MG11 FM32/KM32 FM50/KM50 MG13/15	821609A	821179A	821999A	G1	0.5 - 10 bar
FM52/KM52 68-001F55/IEC112A 68-001F65/IEC112A	805044A	805044B	816657A	G 1 ½	
	350005A	350005B	816658A	G2	



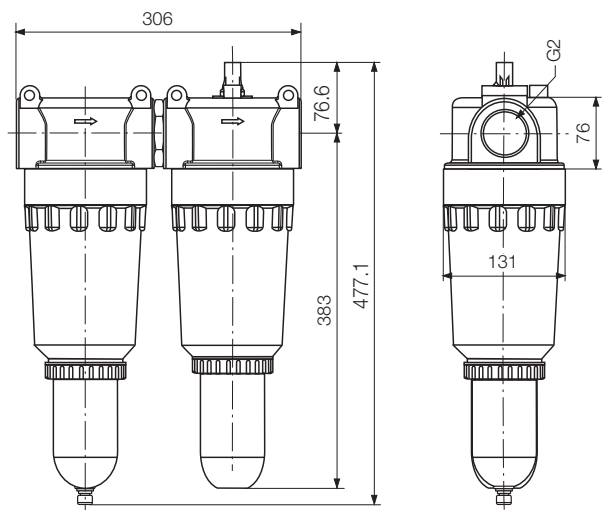
**821609 A**  
Maintenance Unit without pressure regulator G1



**821179 A**  
Maintenance Unit with pressure regulator G1

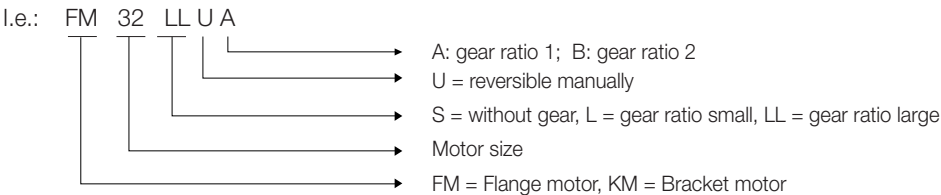
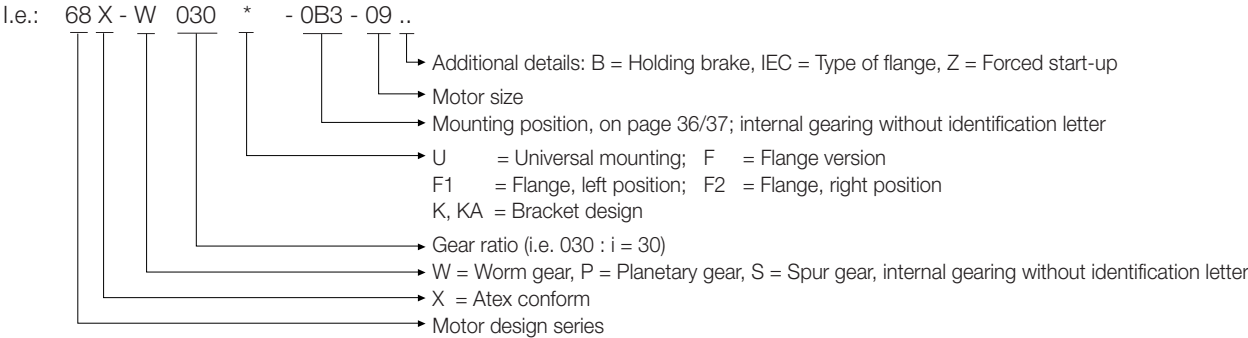


**805044 A**  
Maintenance Unit without pressure regulator G1 ½



**350005 A**  
Maintenance Unit without pressure regulator G2

# MODEL NUMBER DESCRIPTION - when ordering please indicate model designation



# Do you need support in selecting the right drive system?

Tell us your operational conditions and our application consultants will be happy to help:

<b>Application:</b>	<input type="text"/>		
<b>In what kind of environment will the motor be installed?</b>	<b>ATEX requirement / explosion safety?</b>	<input type="checkbox"/> yes	<input type="checkbox"/> no
	if yes, which safety class:	<input type="text"/>	
	<b>food industry conformity?</b>	<input type="checkbox"/> yes	<input type="checkbox"/> no
	<b>sterilisable?</b>	<input type="checkbox"/> yes	<input type="checkbox"/> no
	<b>acid resistant?</b>	<input type="checkbox"/> yes	<input type="checkbox"/> no
	<b>steam resistant?</b>	<input type="checkbox"/> yes	<input type="checkbox"/> no
<b>Application conditions:</b>	<b>constant operation (24 hrs, non-stop)</b>	<input type="checkbox"/> yes	<input type="checkbox"/> no
	<b>duty cycle in hrs/day:</b>	<input type="text"/>	
	<b>days/year:</b>	<input type="text"/>	
	<b>cycle time (s):</b>	<input type="text"/>	
	<b>motor loaded to stall?</b>	<input type="checkbox"/> yes	<input type="checkbox"/> no
	<b>self-locking?</b>	<input type="checkbox"/> yes	<input type="checkbox"/> no
<b>Required turn direction:</b>	<input type="checkbox"/> left	<input type="checkbox"/> right	<input type="checkbox"/> reversible
	(view from air inlet)		
<b>Motor performance:</b>	<b>power:</b>	<input type="text"/>	W
	<b>nominal torque:</b>	<input type="text"/>	Nm
	<b>nominal speed:</b>	<input type="text"/>	rpm
<b>Performance influencing application conditions:</b>	<b>operating pressure (at motor inlet):</b>	<input type="text"/>	bar
	<b>operation with lubricated air possible?</b>	<input type="checkbox"/> yes	<input type="checkbox"/> no
	<b>smallest opening cross-section of connection pieces and hoses?</b>	<input type="text"/>	mm
<b>External motor design:</b>	<input type="checkbox"/> standard steel	<input type="checkbox"/> non-corrosive	<input type="checkbox"/> aluminium
	<input type="checkbox"/> plastics	<input type="checkbox"/> ceramics	
	<b>other:</b>	<input type="text"/>	
<b>Drive spindle design:</b>	<b>drive shaft requirements:</b>	<input type="text"/>	
	(e. g. keyed shafts, square end, hexagonal, collet, drill chuck taper, etc.)		
	<b>required dimensions:</b>	<input type="text"/>	
<b>Motor fixture design:</b>	<b>mounting requirements:</b> (bracket, flange, etc.)	<input type="text"/>	
	<b>required dimensions:</b>	<input type="text"/>	
<b>Additional components:</b>	<input type="checkbox"/> holding brake	<input type="checkbox"/> operational brake	
	<b>gear box:</b>	<input type="text"/>	
<b>Price range:</b>	<input type="text"/>		
<b>Annual requirement:</b>	<input type="text"/>		

# DEPRAG

**DEPRAG SCHULZ GMBH u. CO.**

P.O. Box 1352, D-92203 Amberg, Germany  
Carl-Schulz-Platz 1, D-92224 Amberg  
Phone (+49) 9621 371-0, Fax (+49) 9621 371-120  
[www.deprag.com](http://www.deprag.com)  
[info@deprag.de](mailto:info@deprag.de)

CERTIFIED AS PER DIN EN ISO 9001

---