

SUMP PUMP ETLB-S WITH PROTECTION AGAINST DRY RUNNING

Delivery volume up to 104 m³/h

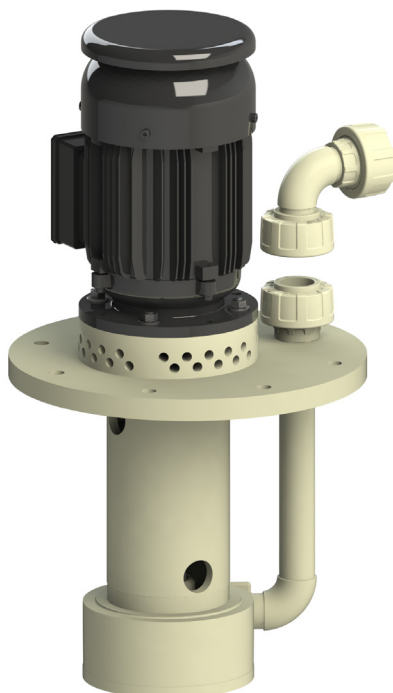
Delivery height up to 42 m

Drive rating 0.37–7.5 kW

Temperature of the medium up to 100 °C

Immersion depth up to 495 mm

Suction tube extension up to 1500 mm



Features

- vertical single-stage immersion pump in block design
- equipped with a freewheeling shaft for protection against dry running
- broad range of applications through diverse construction and material combinations
- excellent operating reliability even under extreme operating conditions
- high availability due to simple modular design in the immersion depths 275/295, 375/395, 475/495
- special mounting plate and connection designs available on request
- optional design with dry set-up
- Impeller fastened on the motor shaft independent of the rotational direction
- Screwless plastic spiral housing made of PP or PVDF
- Sealing elements: EPDM, FPM
- Corrosion protection through 2-component protective paint

Priming

- The pump is not self-priming.

Actuator

- Three-phase motor manufactured by ASV-Stübbe with 0.37–7.5 kW, extended shaft and reinforced bearing.
- Equipped with PTC for motor protection as a standard

Tests

- Hydraulic acceptance test in accordance with DIN EN ISO 9906

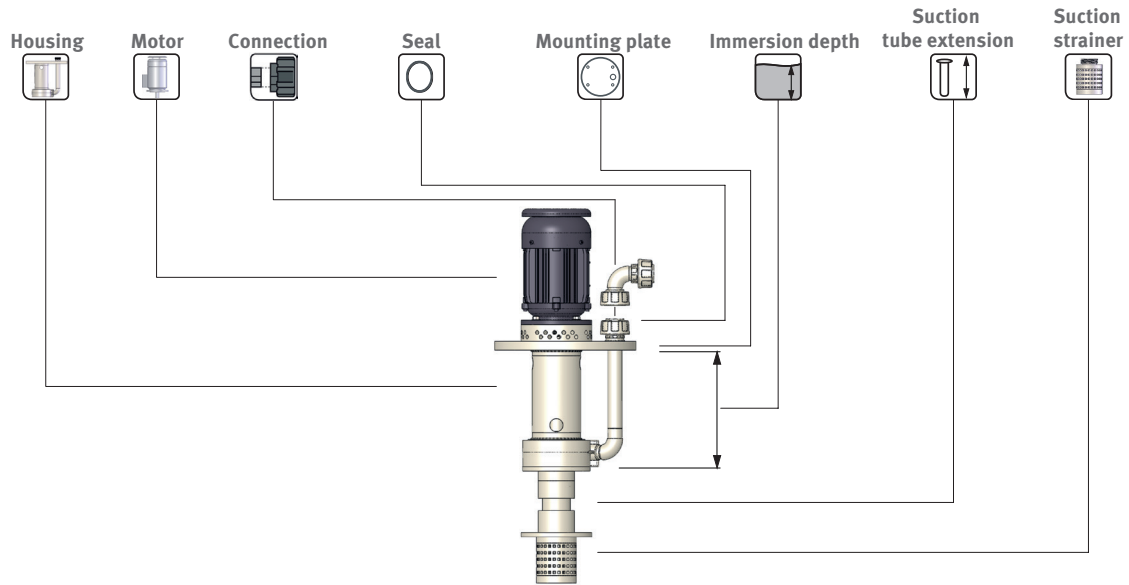
Attention

Observe the installation dimensions and filling heights during planning and installation to ensure the fault-free operation of the immersion pumps.

www.asv-stuebbe.com/produkte/pumpen

Sump pump ETLB-S with protection against dry running

Variants



ETLB-S horizontal pumps




		15-60	20-100	25-125		32-125	32-160	40-125	40-160	50-125	80-200				
				S	L										
Delivery height, delivery volume (H₂O 2900 rpm 50 Hz / *H₂O 1450 rpm 50 Hz)															
H _{max} (m) H ₂ O		6.5	15	20	23	27	42	27	42	31	17*				
Q _{max} (m ³ /h) H ₂ O		2.9	4.9	10	13	28	31	39	48	64	104*				
Housing															
	PP	✓	✓	✓	✓	✓	✓	✓	✓	✓	✓				
	PVDF	✓	✓	✓	✓	✓	✓	✓	✓	✓	✓				
Connection															
	Screw connection DIN 8063 socket	DN 15	DN 20	DN 25	DN 25	DN 32	DN 32	DN 40	DN 40	DN 50	DN 80				
Seal															
	EPDM	✓	✓	✓	✓	✓	✓	✓	✓	✓	✓				
	FPM	✓	✓	✓	✓	✓	✓	✓	✓	✓	✓				
Immersion depth															
	mm	275	275	275	275	275	275	275	275	295	295				
	mm	375	375	375	375	375	375	375	375	395	395				
	mm	475	475	475	475	475	475	475	475	495	495				
Mounting plate															
	Round	✓	✓	✓	✓	✓	✓	✓	✓	✓	✓				
	Rectangular	✓	✓	✓	✓	✓	✓	✓	✓	✓	✓				
	Special geometry	•	•	•	•	•	•	•	•	•	•				
Motor															
		50 Hz	60 Hz	50 Hz	60 Hz	50 Hz	60 Hz	50 Hz	60 Hz	50 Hz	60 Hz	50 Hz	60 Hz	50 Hz	60 Hz
	0.37 kW	✓	✓	✓	✓	✓	✓								
	0.55 kW	✓	✓	✓	✓	✓	✓								
	0.75 kW	✓	✓	✓	✓	✓	✓								
	1.10 kW			✓	✓	✓	✓								
	1.50 kW			✓	✓	✓	✓		✓						
	2.20 kW			✓	✓	✓	✓		✓	✓					
	3.00 kW						✓	✓	✓	✓					
	4.00 kW						✓	✓	✓	✓	✓				
	5.50 kW						✓	✓	✓	✓	✓	✓			
	7.50 kW							✓	✓	✓	✓	✓			
	0.37 kW	✓	✓	✓	✓	✓	✓								
	0.55 kW	✓	✓	✓	✓	✓	✓								
	0.75 kW	✓	✓	✓	✓		✓	✓							
	1.10 kW						✓	✓							
	1.50 kW						✓	✓	✓						
	2.20 kW						✓	✓	✓	✓					
	3.00 kW							✓	✓						
	4.00 kW							✓	✓	✓					
	5.50 kW							✓	✓	✓	✓	✓	✓	✓	✓
	7.50 kW								✓	✓	✓	✓	✓	✓	✓

✓ = available as standard, • = available as an option / available on request

Sump pump ETLB-S with protection against dry running

Accessories

Accessories

		15-60	20-100	25-125		32-125	32-160	40-125	40-160	50-125	80-200
				S	L						
Suction tube extension											
	150–1500 mm in 50 mm increments	•	•	•	•	•	•	•	•	•	•
Suction strainer											
	PP	•	•	•	•	•	•	•	•	•	•
	PVDF	•	•	•	•	•	•	•	•	•	•
Connection											
	Pressure connection bend 90°	Screw connection DIN 8063 socket	•	•	•	•	•	•	•	•	•
		Flange DIN EN 1092	•	•	•	•	•	•	•	•	•
		Flange ANSI	•	•	•	•	•	•	•	•	•
Flange adapter 180°	Flange DIN EN 1092							•	•	•	•
	Flange ANSI							•	•	•	•
Union end	DIN ISO adapter	•	•	•	•	•	•	•	•	•	•
Special version											
	Anti-foaming system	•	•	•	•	•	•	•	•	•	•
	For dry installation	•	•	•	•	•	•	•	•	•	•
Paintwork											
	Standard RAL 7016	✓	✓	✓	✓	✓	✓	✓	✓	✓	✓
	Other RAL colors	•	•	•	•	•	•	•	•	•	•
	Special paintwork	•	•	•	•	•	•	•	•	•	•
Impeller											
	Closed impeller	✓	✓	✓	✓	✓	✓	✓	✓	✓	✓
	Semi-open impeller	•	•	•	•	•	•	•	•	•	•
	PE impeller		•	•	•	•	•	•	•	•	•

✓ = available as standard, • = available as an option / available on request

Application

- For transporting neutral and aggressive medium types such as acids, lyes, solutions with solid particles in open or closed depressurized containers or pump sumps, provided the pump components in contact with the medium are resistant at the operating temperature according to the ASV Stübbe resistance list.

Use

- Chemical industry
- Water treatment
- Electroplating plants
- Printed circuit board industry

Design

- vertical single-stage immersion pump, not self-priming
- protected against running dry through bearing-free design

Size

- ETLB-S 15-60 to ETLB-S 80-200

Performance data

- see characteristics (pg. 10) and motor ratings (pg. 2)

Technical design

- Immersion depth up to 495 mm
- Material: PP, PVDF
- Screwless thermoplastic spiral casing
- Closed impeller, fastened on the motor shaft independent of the rotational direction
- Stainless steel shaft encapsulated by thick-walled plastic protection tube
- Shaft lead-through at the mounting plate equipped with lip seals
- Corrosion protection through 2-component protective paint

Accessories

- Pump monitor: Pressure and temperature sensor PTM
- Suction strainer
- Suction tube extension of 150–1500 mm in 50 mm increments for draining containers

PTC resistor protection

- The temperature sensors can be used for protecting the motor coil.
They abruptly change their resistance value when the thermal class of the motor is reached (155°C).
Connect to only one trigger unit.

Pressure connection

- Socket union end according to DIN 8063
- optionally with pressure connection bend with socket union end according to DIN 8063
- optionally with PP/steel flange DIN or ANSI

Suction connection

- Suction socket (standard)
- optionally with suction strainer on the pump housing
- optionally with suction tube extension for draining containers

Actuator

- manufactured by ASV-Stübbe
- IEC three-phase motor with extended shaft
- reinforced motor bearings
- Power range 0.37–7.5 kW
- Size IM71–IM 132
- Corrosion protection through 2-component protective paint
- Rotational speed: 1450/1750 rpm, 50/60 Hz
- Rotational speed: 2900/3500 rpm, 50/60 Hz
- Protection type: IP 55
- Protection cap
- PTC resistor

Materials

- Pump housing: PP, PVDF
- Impeller: PP, PVDF, PE optional
- O-rings: EPDM, FPM
- V-ring: FPM

Sump pump ETLB-S with protection against dry running

Fluid temperature

- PP: up to 80 °C
- PVDF: up to 100 °C

The temperature limits are maximum values and depend on the sealing material and feed pressure used. Depending on the medium and concentration, additional reduction factors must be taken into account.

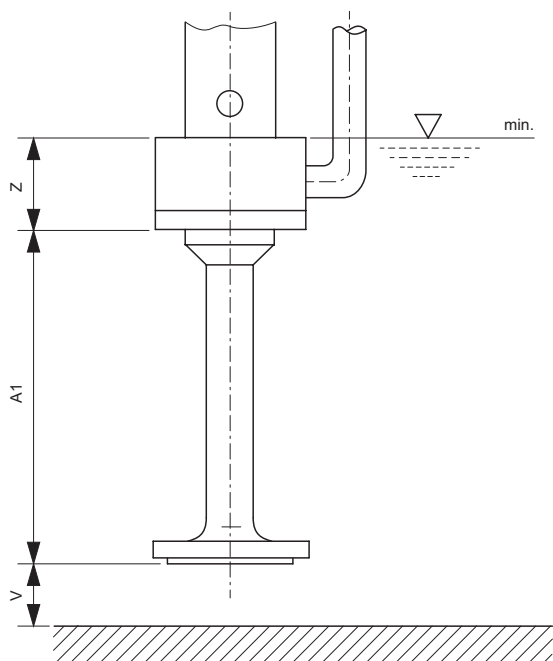
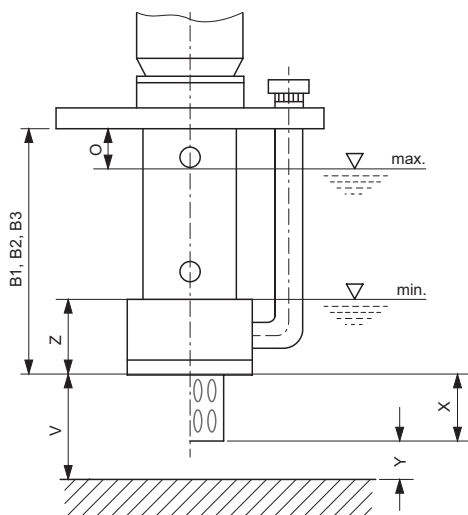
Viscosity

- Fluids up to approx. 160 mm²/s (kinematic viscosity)

Sump pump ETLB-S with protection against dry running

Pump priming behavior

- For problem-free installation of the ASV immersion pumps, observe the installation dimensions O, Z, V and Y listed in the dimension table for planning and installation!
- The dimensions O, Z, V and Y are minimum dimensions.
- If these minimum dimensions are not adhered to, this may result in reduced capacity, vibrations and/or damage to the pump.
- Whenever the container has been emptied, fill the container above the minimum fluid level before restarting the pump unit.
- Adhere to the min. covering area »Z« of the pump housing prior to starting the pump unit!
- For higher operating temperatures, observe the vapor pressure of the fluid and increase »Z«, if required!



A1: available from 150–1500 mm in 50 mm increments

Max. fluid level

- the maximum permissible fluid level
- top switching point with level control

Min. fluid level

- lowest permissible fluid level when activating the pump

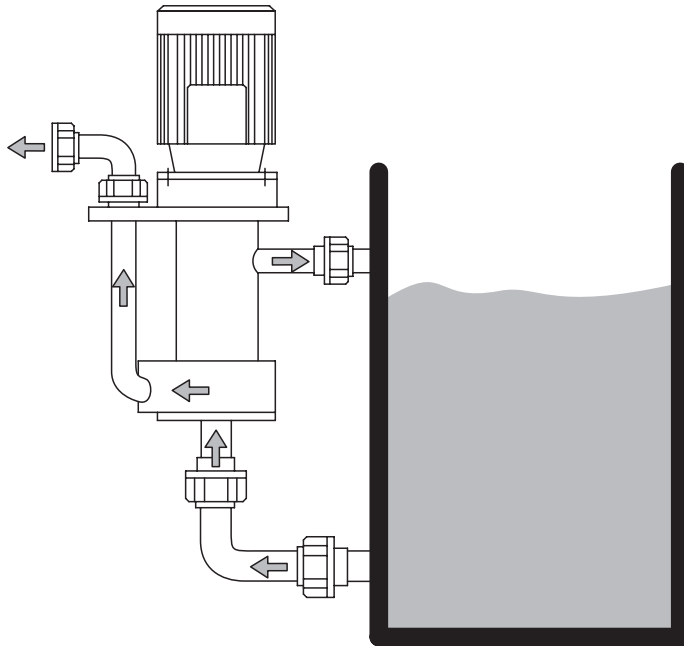
Bottom switching point with level control

- without suction tube extension: $V + Z$
- with suction tube extension: $V + 50 \text{ mm}$

Sump pump ETLB-S with protection against dry running Special version

ETLB-S pumps for dry installation

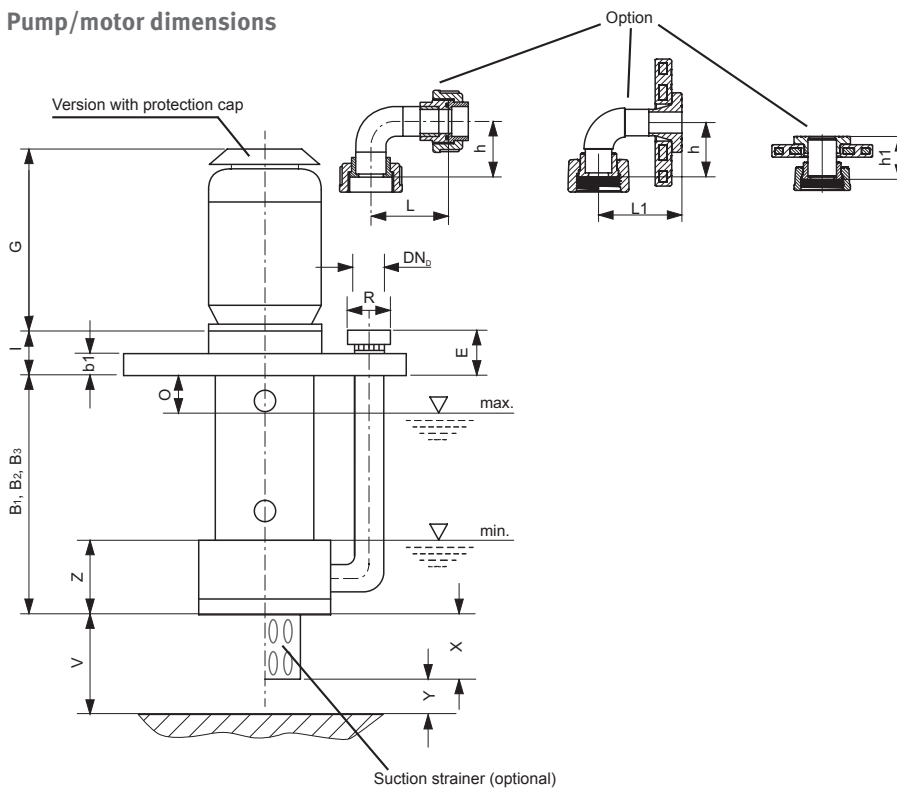
- In the case of dry installation, the pump is installed outside of the container
- Special version ETLB-ST, information on request



Sump pump ETLB-S with protection against dry running

Dimensions

Pump/motor dimensions



Pump dimensions

Type	NW DND	Dimensions															
		B1	B2	B3	b1	E	h	h1	L	L1	I	O	R	Vmin.	Z	X	Ymin.
ETLB-S 15-60	15	275	375	475	20	46	41		49	63	45.5	30	G 1"	20	78.5	125	10
ETLB-S 20-100	20	275	375	475	20	46	46		55	70	58	30	G 1 1/4"	20	82	125	10
ETLB-S 25-125	25	275	375	475	20	50	58		67	83	58	30	G 1 1/2"	20	70.1	125	10
ETLB-S 32-125	32	275	375	475	30	64	65		75.5	93	68	30	G 2"	20	92	155	10
ETLB-S 32-160	32	275	375	475	30	64	65		75.5	93	111	60	G 2"	40	120	155	10
ETLB-S 40-125	40	275	375	475	30	69	76.5	70	89	105.5	68	60	G 2 1/4"	40	103	155	10
ETLB-S 40-160	40	275	375	475	30	69	76.5	70	89	105.5	111	60	G 2 1/4"	40	120	155	10
ETLB-S 50-125	50	295	395	495	30	77.5	94.5	84	112	129	111	60	G 2 3/4"	40	140	155	10
ETLB-S 80-200	80	295	395	495	40	118	132	87.5	208	130.5	121	60	G 4"	60	168	100	10

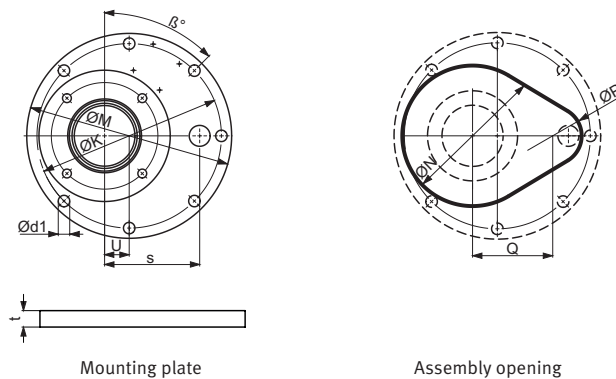
Motor dimensions

Motor rating (kW)	DN 15-60 ... DN 50-125	DN 80-200	
	G (mm)	50 Hz	60 Hz
0.37	233		
0.55	233		
0.75	263		
1.10	279		
1.50	322		
2.20	322		
3.00	397		
4.00	360		
5.50	409	423	475
7.50	409	475	

Sump pump ETLB-S with protection against dry running

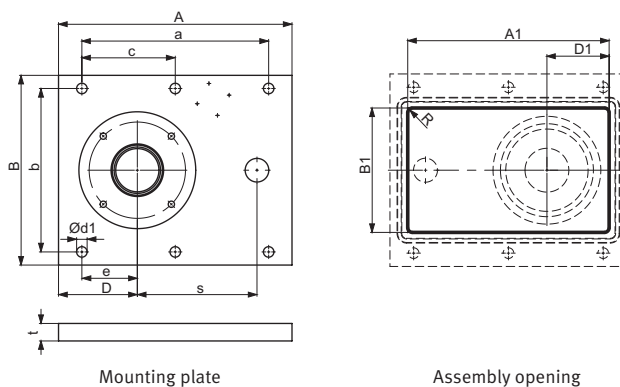
Dimensions

Mounting plates / assembly openings



Round type

	β°	Mounting plate						Assembly opening		
		d1	$\varnothing K$	$\varnothing M$	s	t	U	Q	$\varnothing N$	$\varnothing P$
ETLB-S 15-60	45	14	225	250	110	20	30	0	200	0
ETLB-S 20-100	45	14	225	250	116	20	30	97	170	70
ETLB-S 25-125	45	14	270	320	132.5	20	20	112	180	80
ETLB-S 32-125	45	18	350	400	205	30	60	200	210	80
ETLB-S 32-160	45	18	408	440	205	30	60	205	290	90
ETLB-S 40-125	45	18	350	400	205	30	60	200	210	80
ETLB-S 40-160	45	18	408	440	205	30	60	205	290	90
ETLB-S 50-125	45	18	408	440	205	30	60	205	290	90
ETLB-S 80-200	45	18	556	595	290	40	72.5	290	400	110



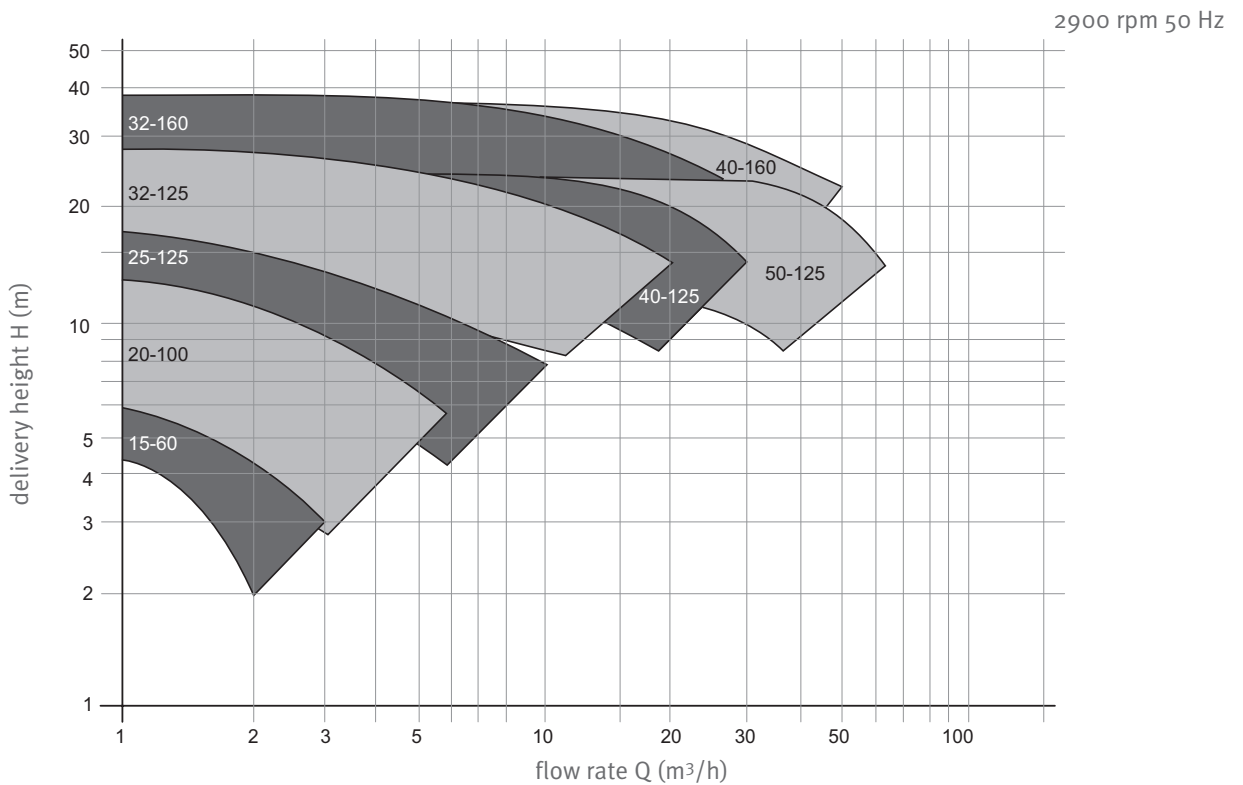
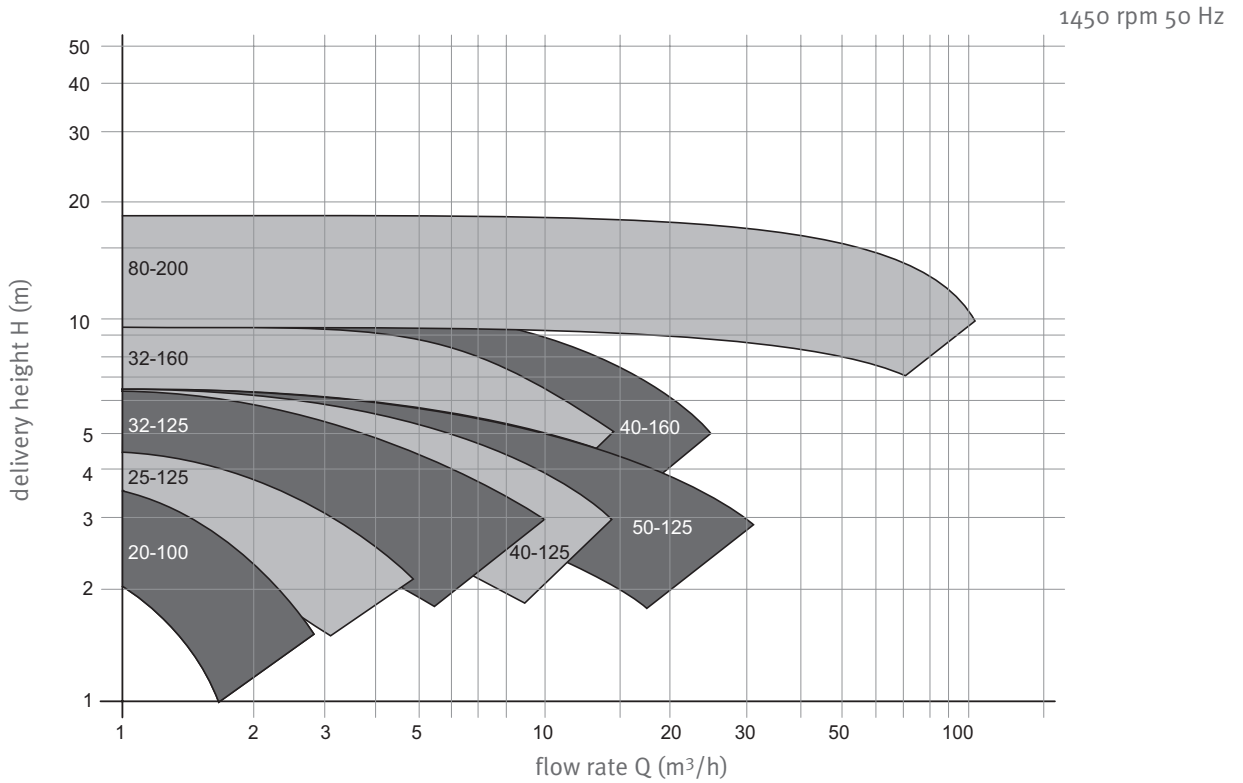
Rectangular type

	d1	Mounting plate									Assembly opening			
		A	B	a	b	c	e	s	t	D	A1	B1	R	D1
ETLB-S 15-60	14	230	230	180	180	0	53	110	20	85	190	130	8	65
ETLB-S 20-100	14	250	250	220	220	0	80.5	116	20	103	215	170	8	85
ETLB-S 25-125	14	280	280	230	230	0	78	132.5	20	110	240	180	8	90
ETLB-S 32-125	18	400	325	320	280	160	86	205	30	135	340	210	8	105
ETLB-S 32-160	18	490	390	440	350	220	151	205	30	185	380	290	10	130
ETLB-S 40-125	18	400	325	320	280	160	86	205	30	135	340	210	8	105
ETLB-S 40-160	18	490	390	440	350	220	151	205	30	185	380	290	10	130
ETLB-S 50-125	18	490	390	440	350	220	151	205	30	185	380	290	10	130
ETLB-S 80-200	18	610	485	500	450	250	168.5	290	40	230	545	400	10	200

Sump pump ETLB-S with protection against dry running

Characteristics and motor ratings

Characteristics



Sump pump ETLB-S with protection against dry running

Sound pressure level

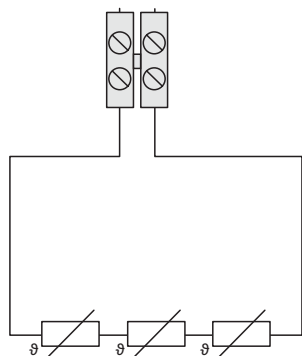
max. sound pressure level LpA for 2-pole motors 50Hz/60Hz in dB(A)

Motor rating (kW)	0.37		0.55		0.75		1.10		1.50		2.20		3.00		4.00		5.50		7.50	
	50 Hz	60 Hz	50 Hz	60 Hz	50 Hz	60 Hz	50 Hz	60 Hz	50 Hz	60 Hz	50 Hz	60 Hz	50 Hz	60 Hz	50 Hz	60 Hz	50 Hz	60 Hz	50 Hz	60 Hz
ETLB-S 15-60	59	61	59	61	61	63														
ETLB-S 20-100	59	61	59	61	61	63														
ETLB-S 25-125 S	59	61	59	61	61	63	61	63	65	67	65	67								
ETLB-S 25-125 L					61	63	61	63	65	67	65	67								
ETLB-S 32-125									65	67	65	67	68	70	70	72	70	72		
ETLB-S 32-160															70	72	70	72	70	-
ETLB-S 40-125									65	-	65	67	68	70	70	72	70	72	70	-
ETLB-S 40-160															70	-	70	72	70	-
ETLB-S 50-125															70	-	70	72	70	-
ETLB-S 80-200 *																	66	68	66	-

* 4 poles

Determination of the sound power by sound intensity measurement (DIN EN ISO 9614-2) and determination of the work-related emission values (sound pressure level) LpA according to DIN EN ISO 11203

PTE resistor connection (Terminal strips in terminal box)



Connection	PTE resistor
polarity	as required
max. testing voltage	2.5 V
Evaluation	only with trigger unit
Trigger temperature	155 °C
Shut-down	3x PTC thermistor