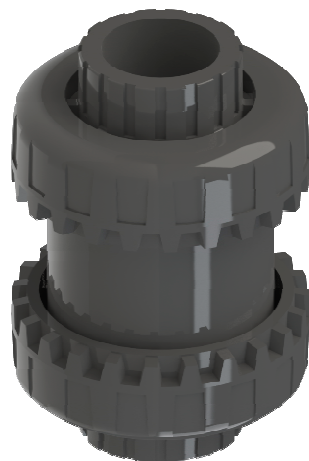


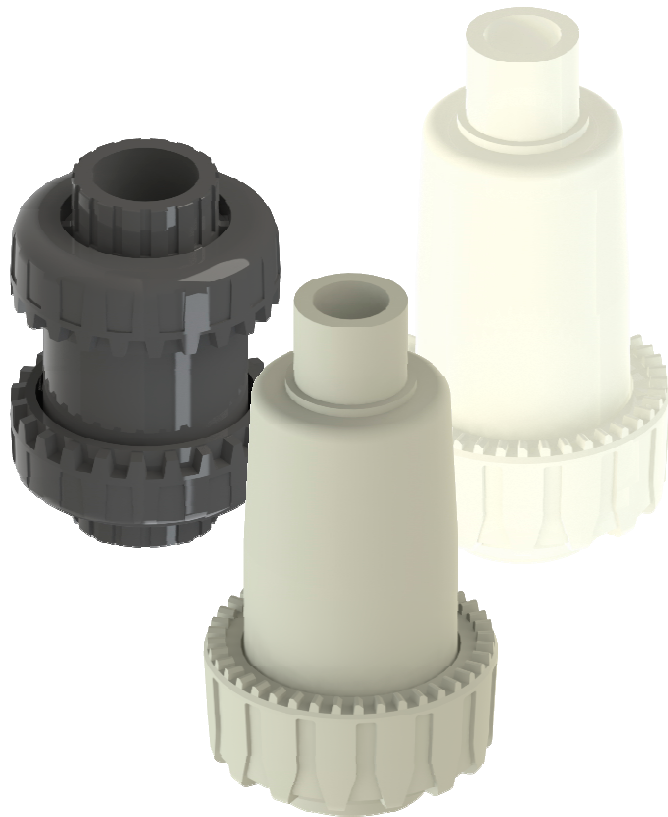


## Ball check valve KRV400

Features | Pictogram | Technical details



## Features



### Ball check valve KRV400

- hermetically sealed at low working pressures
- minimum back pressure for drop tight service  
0,2bar (valve in horizontal position)
- corrosion resistant
- maintenance-free
- article of trade

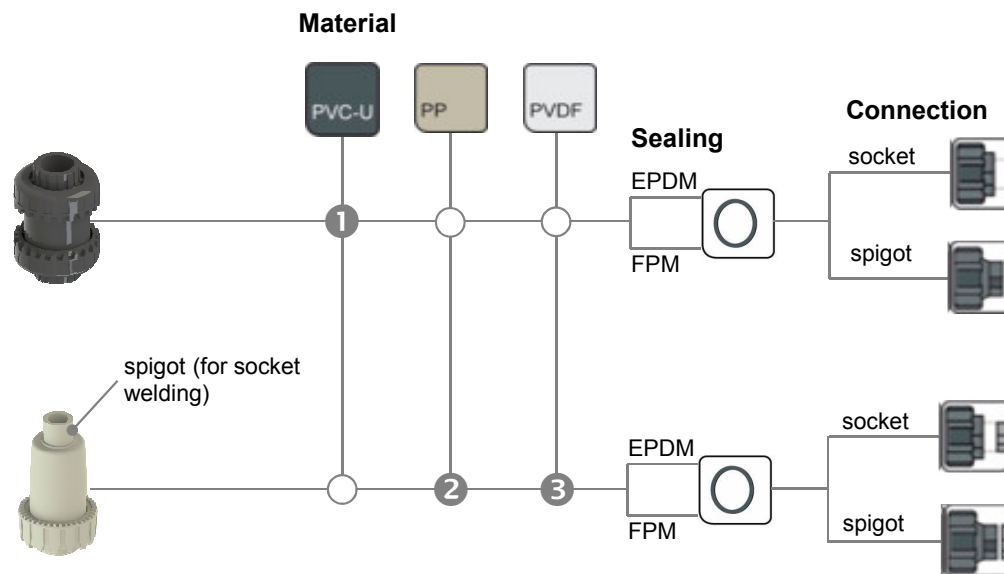
# Pictogram

## Nominal Pressure (H<sub>2</sub>O, 20°C)

PVC-U = PN16

PP = PN10

PVDF = PN16



## Connection material (pipe connection)

- 1 PVC-U: socket **DIN\***  
socket **ANSI, BS, JIS**  
female thread Rp\*  
PE100 spigot
- 2 PP socket **DIN**  
female thread Rp  
PP socket
- 3 PVDF socket **DIN**  
PVDF spigot

\* incl. DN 10.

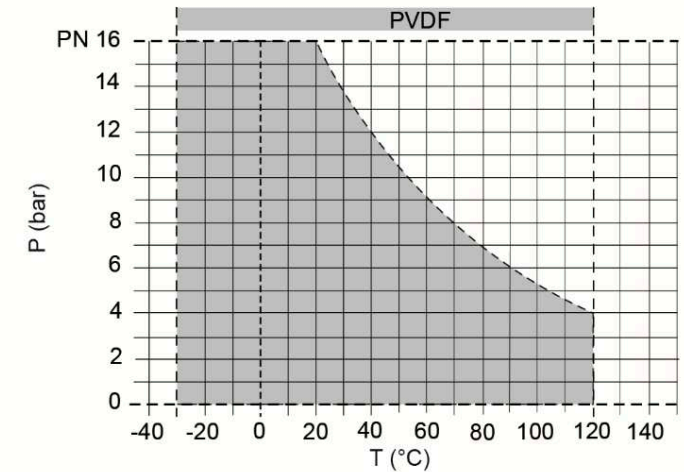
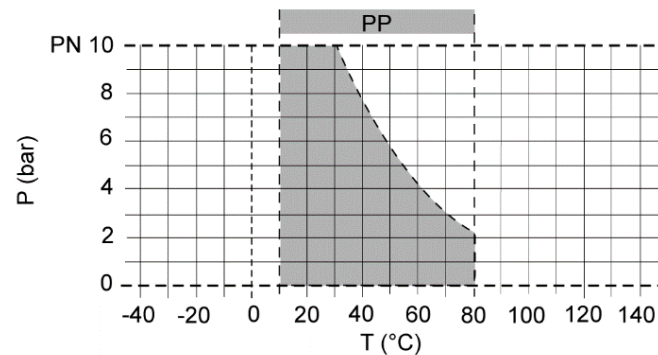
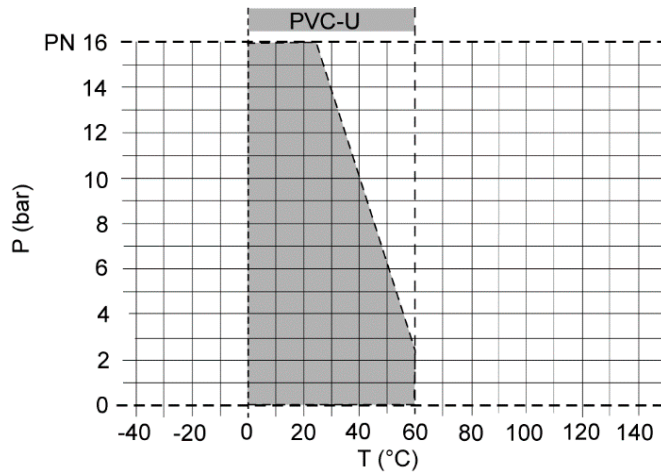
## Nominal size:

DN 8	DN 10	DN 15	DN 20	DN 25	DN 32	DN 40	DN 50	DN 65	DN 80	DN 100	DN 125	DN 150	DN 200	DN 250	DN 300	DN 350	DN 400
------	-------	-------	-------	-------	-------	-------	-------	-------	-------	--------	--------	--------	--------	--------	--------	--------	--------

● available  
○ not available



## Technical details



<b>Kv100 *</b> [l/min]	<b>DN15</b>	<b>DN20</b>	<b>DN25</b>	<b>DN32</b>	<b>DN40</b>	<b>DN50</b>	For fluids with a specific weight of maximum:
<b>PVC-U</b>	152	258	433	643	928	1343	<b>1,37 g/cm<sup>3</sup></b>
<b>PP</b>	110	205	240	410	650	840	<b>1,20 g/cm<sup>3</sup></b>
<b>PVDF</b>	110	205	240	410	650	840	<b>1,78 g/cm<sup>3</sup></b>

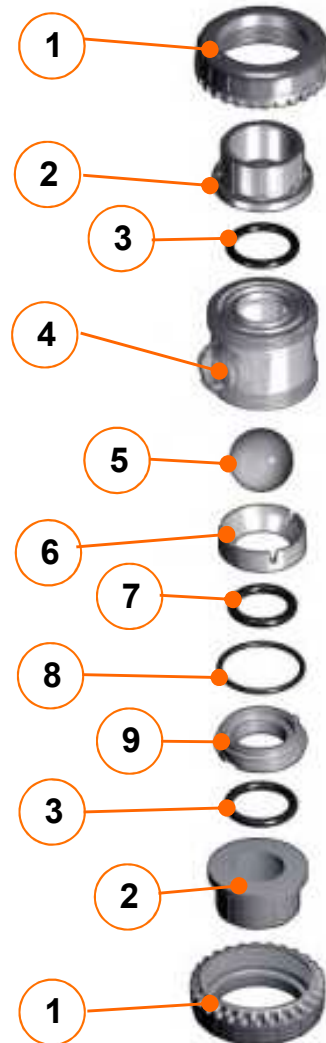
\*Kv100 = flow rate H<sub>2</sub>O, 20°C, pressure difference 1bar, valve 100% open

## Technical details



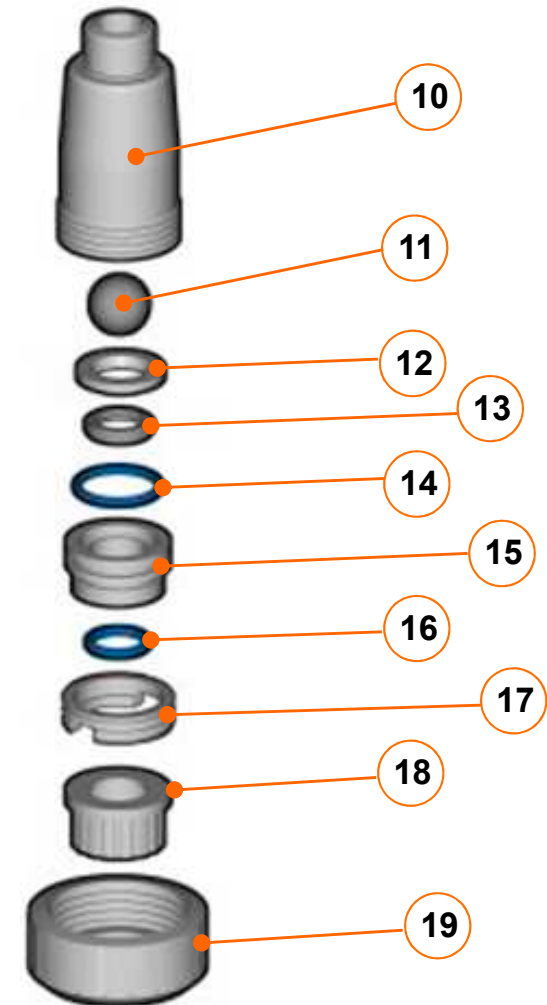
### Components PVC-U

- 1 Union nut
- 2 End connector
- 3 O-ring
- 4 Body
- 5 Ball
- 6 Packing presser ring
- 7 O-ring
- 8 O-ring
- 9 Radial seal



### Components PP / PVDF

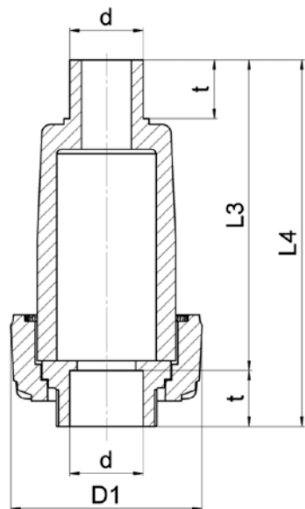
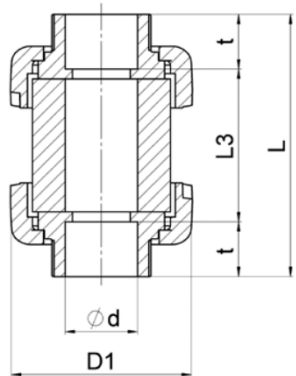
- 10 Body
- 11 Ball
- 12 Packing presser ring
- 13 Radial seal
- 14 O-ring
- 15 Support
- 16 O-ring
- 17 Thread ring
- 18 End Connector
- 19 Union nut



\* = spare part



## Technical details



d		16	20	25	32	40	50	63
DN (mm)		10	15	20	25	32	40	50
D1	PVC-U	54	54	63	72	85	100	118
	PP	-	55	66	74	86	99	12
	PVDF	-	55	66	74	86	99	12
L	PVC-U	82	82	91	103	120	139	174
L3	PVC-U	54	50	53	59	68	77	98
	PP	-	89	107	126	146	158	186
	PVDF	-	89	107	126	146	158	186
L4	PP	-	105	126	150	173	188	222
	PVDF	-	105	126	150	173	188	222
t	PVC-U	14	16	19	22	26	31	38
	PP	-	16	19	22	26	31	38
	PVDF	-	16	19	22	26	31	38